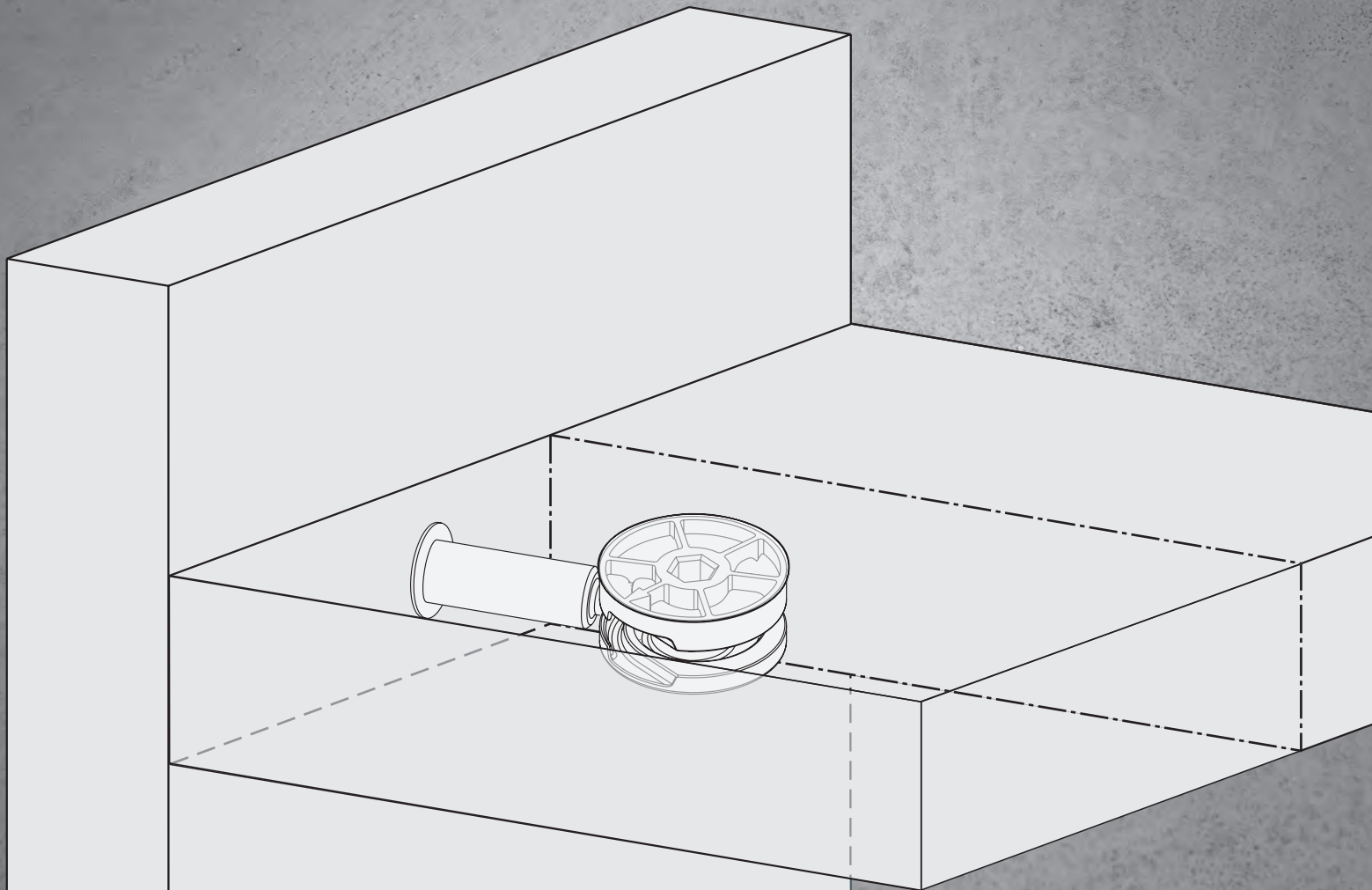


Ø25 SPIRAL CLOCK CAM

Spiral clock cam

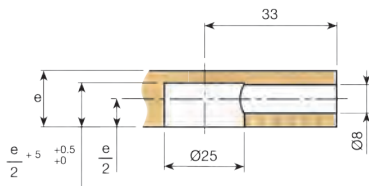
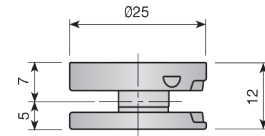
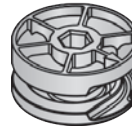
A solution for heavy loads but with minimum drilling requirements. The Ø25 spiral clock eliminates any possible loosening due to vibration. For 15 mm. thick chipboard and upwards.



1 CLOCK CAMS AND COVERS

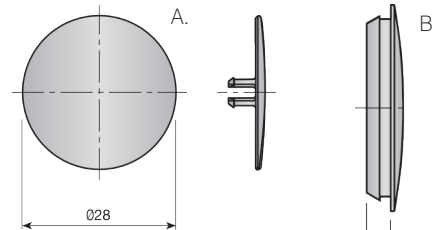
Ø25 mm. Spiral clock.

			
Nickel	511.525.066		
Zinc-plated	511.525.033	500	



Cover cap.

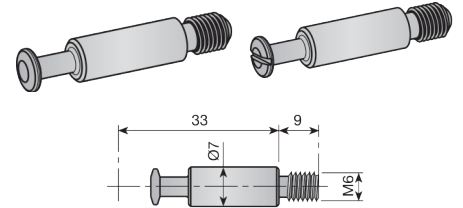
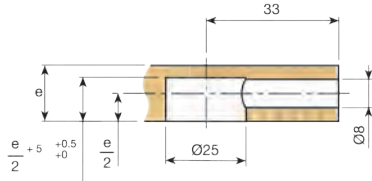
		Board thickness	Cover		
Nickel		14 To 20mm	A	530.225.065	
White	RAL 9003	>20mm	B	530.400.006	1.000
Brown	RAL 8016	>20mm	B	530.400.010	or
Black	RAL 9005	>20mm	B	530.400.021	2.000
Nickel		>20mm	B	530.400.065	
Gray	RAL 7040	>20mm	B	530.400.312	



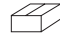
2 BOLTS

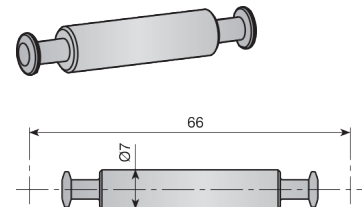
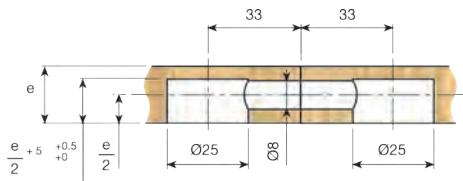
Connecting rod

	Without groove	With groove	
Zinc-plated	520.133.036	520.233.033	500 or 1.000




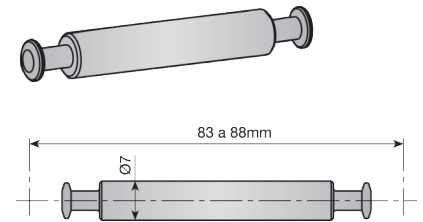
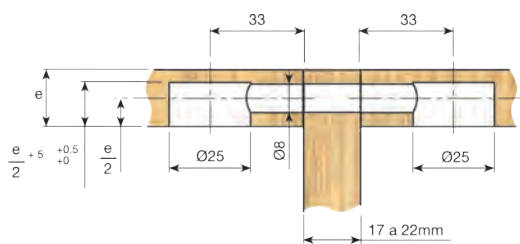
Double connecting rod

Zinc-plated	528.133.034		500
-------------	-------------	---	-----




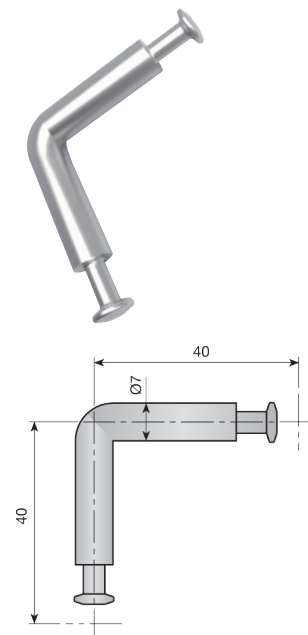
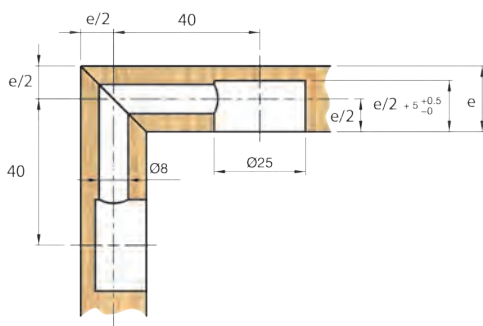
Double connecting rod for middle panel

Zinc-plated	528.233.031		500
-------------	-------------	---	-----

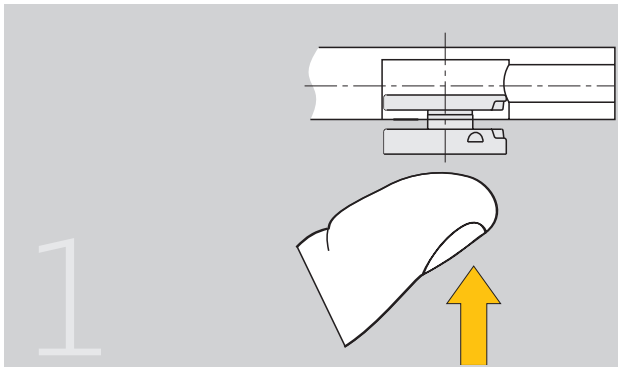


90° connecting rod

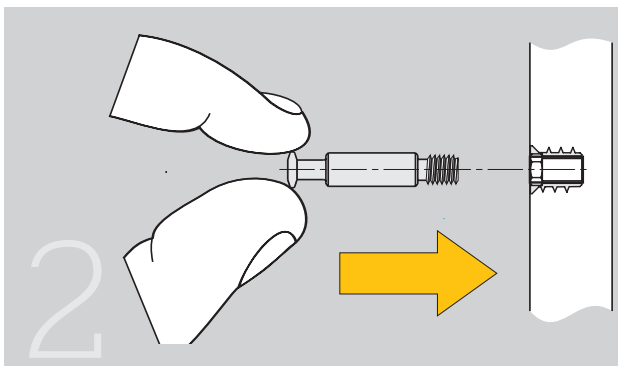
Zinc-plated	528.333.035		500
-------------	-------------	---	-----



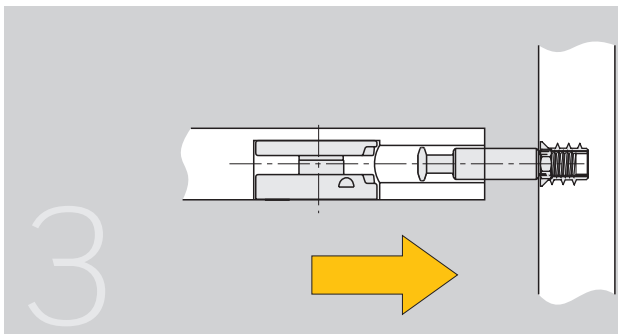
3 ASSEMBLY



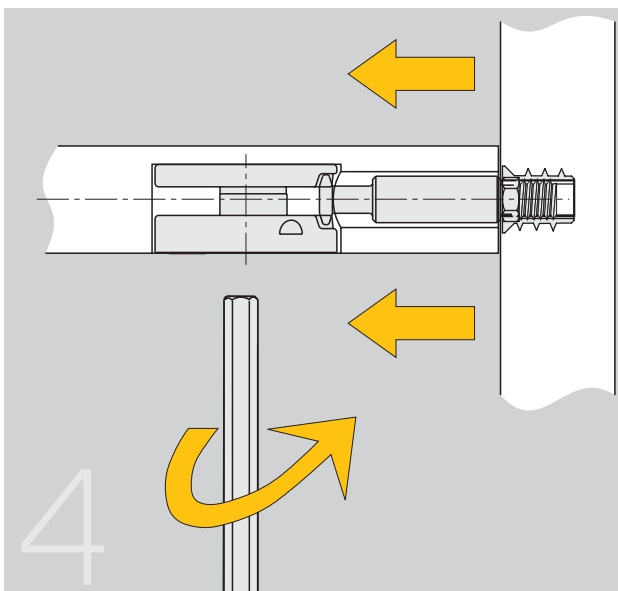
Manually insert the spiral clock in the cavity in the shelf or board.



Insert the nut in the side cavity and then screw the bolt into the nut.



Align the spiral clock with the bolt.



When the clock is turned, the bolt will move towards the clock and the side and the clock will be joined, thus obtaining a strong and effective connection.

To dismantle the shelf, follow the same steps backwards.