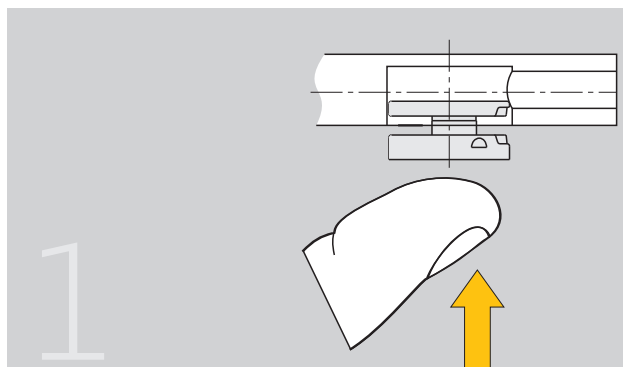
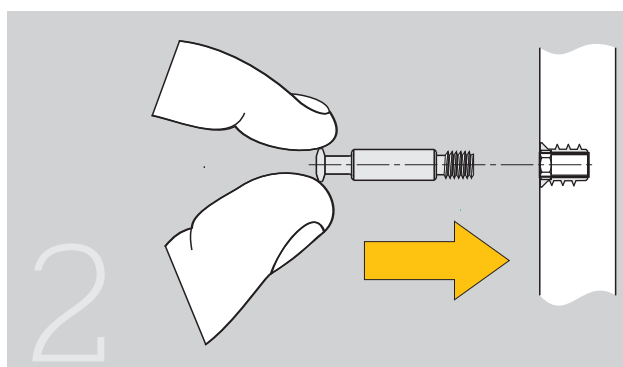


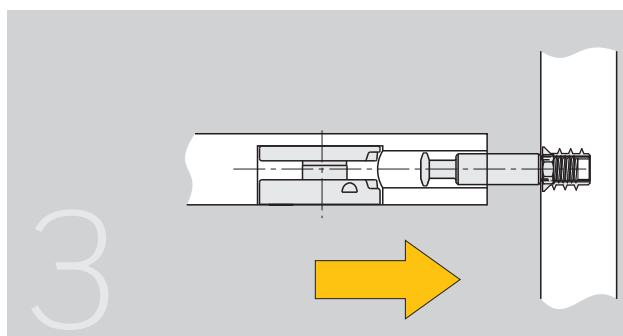
4 ASSEMBLY



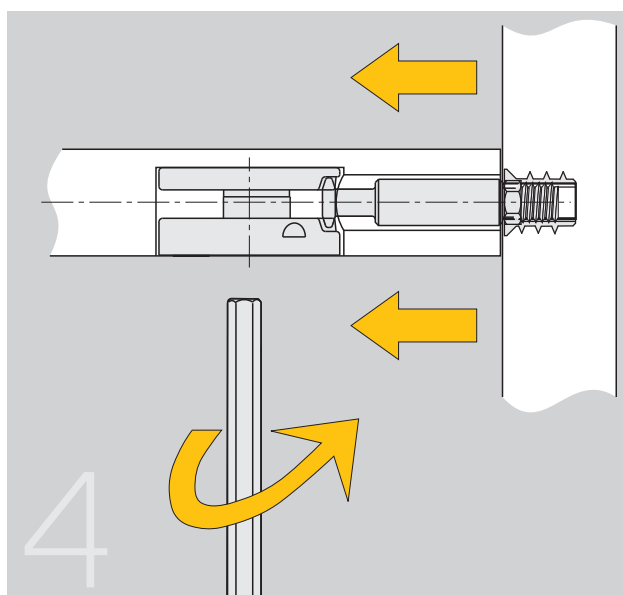
Manually insert the **spiral cam** in the cavity in the shelf or board.



Insert the nut in the side cavity and then screw the bolt into the nut.



Align the **spiral cam** with the bolt.



When the cam is turned, the bolt will move towards the cam and the side and the cam will be joined, thus obtaining a strong and effective connection.

To dismantle the shelf, follow the same steps backwards.