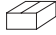


## 6 RIGHT-HAND SCREWS

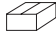
### Screws

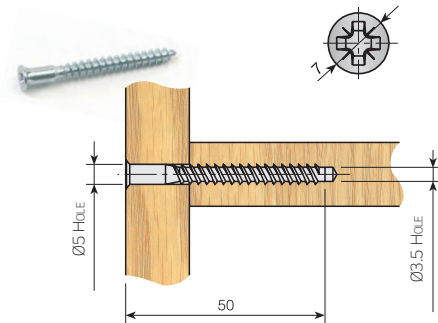
#### Ø5mm. Wood threaded screw. Allen head

Length (mm.)	50	
Zinc-plated	583.150.035	2.000
Blued	583.150.256	




#### Ø5mm. Wood threaded screw Pozidrive head.

Length (mm.)	50	
Zinc-plated	582.150.030	2.000
Blued	582.150.251	




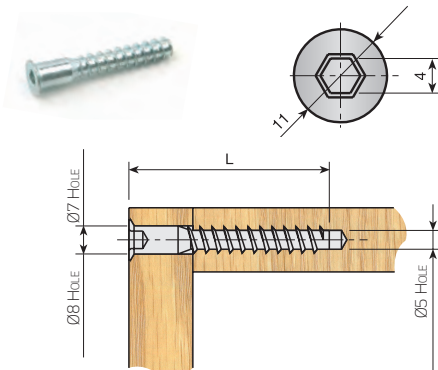
#### Ø7mm. Wood threaded screw, countersunk

Length (mm.)	47	
Zinc-plated	583.547.031	1.000
Blued	583.547.252	




#### Ø8mm. Wood threaded screw

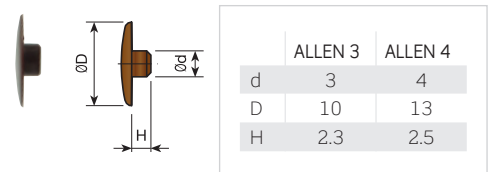
Length (mm.)	38	45	50	
Zinc-plated	583.238.036	583.245.036	583.250.032	1.000
Blued	583.238.250	583.245.250	583.250.253	



### Cover

#### Cover for Allen head screw.

				
White	RAL 9003	540.403.006	540.500.004	2.000 or 10.000
Black	RAL 9005	540.403.021	540.500.026	
Oak	RAL 1002	540.403.194	540.500.192	



### Allen key

#### Allen key.

	3mm.	4mm.	
Zinc-plated	187.003.036	187.004.031	100 or 1.000

