

# TRASER-8

## Concealed hangers


High weight resistance suspension hanger, concealed behind the back of the cabinet. 3-way adjustment. Screw-fix or dowel-fix versions.



■ TRASER-8: Knock-in assembly



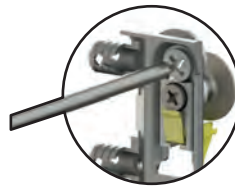
Knock-in assembly.

Zinc-plated	With active security	Standard	
Left-hand	627.115.031	627.100.036	100
Right-hand	627.215.035	627.200.033	

Nominal capacity of 50 kgs. per hanger. EN 15939 on A setting.  
2 fixing screws Ø4 x 25mm. as indicated.



Depth adjustment.  
Up to 10mm.

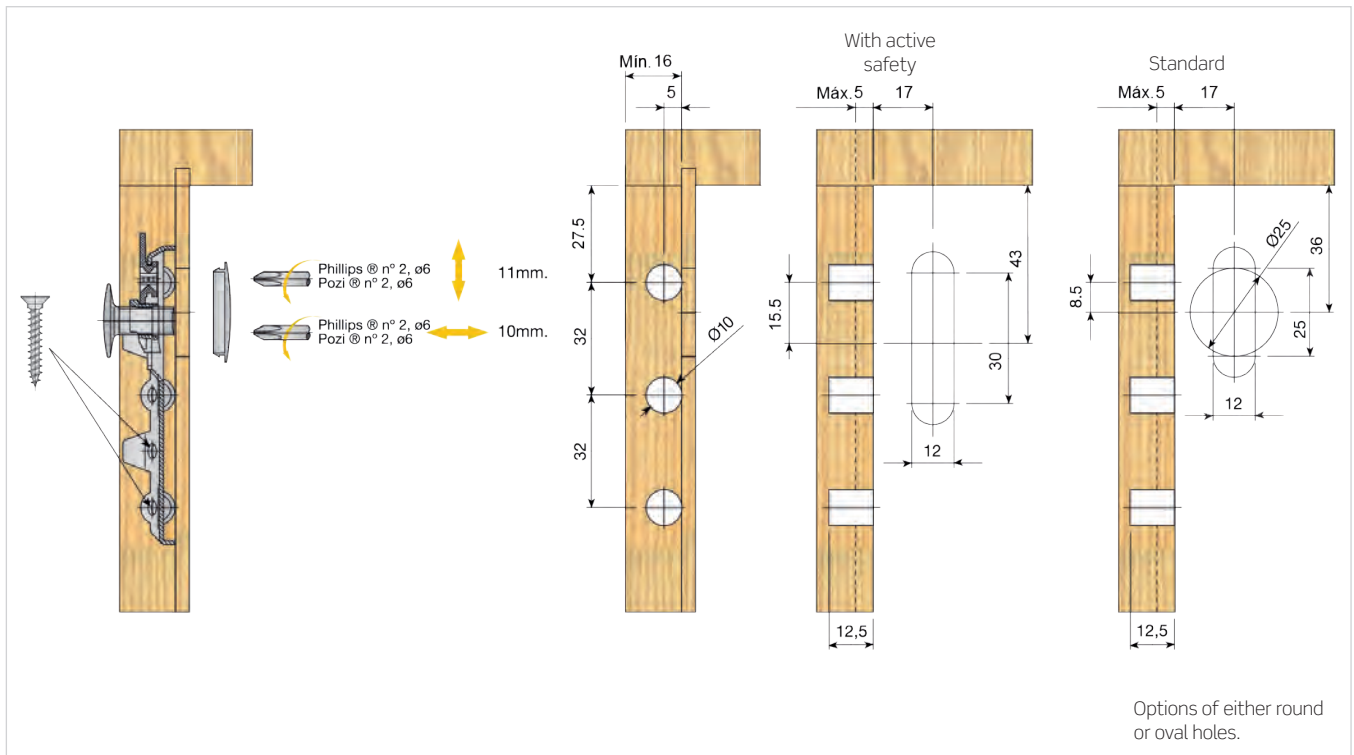


Height adjustment  
Up to 11mm.

> TRASER-8  
rapid active safety versión



> Assembly and Disassembly  
See end of chapter



■ TRASER-8: Knock-in assembly with upper support

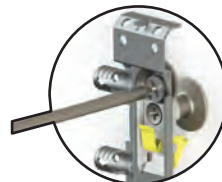
Knock-in assembly with upper support.

Zinc-plated	With active security	Standard	
Left-hand	627.315.032	627.300.030	100
Right-hand	627.415.036	627.400.034	

Nominal capacity of 50 kgs. per hanger. EN 15939 on A setting.  
3 fixing screws Ø4 x 25mm. as indicated.



Depth adjustment.  
Up to 10mm.

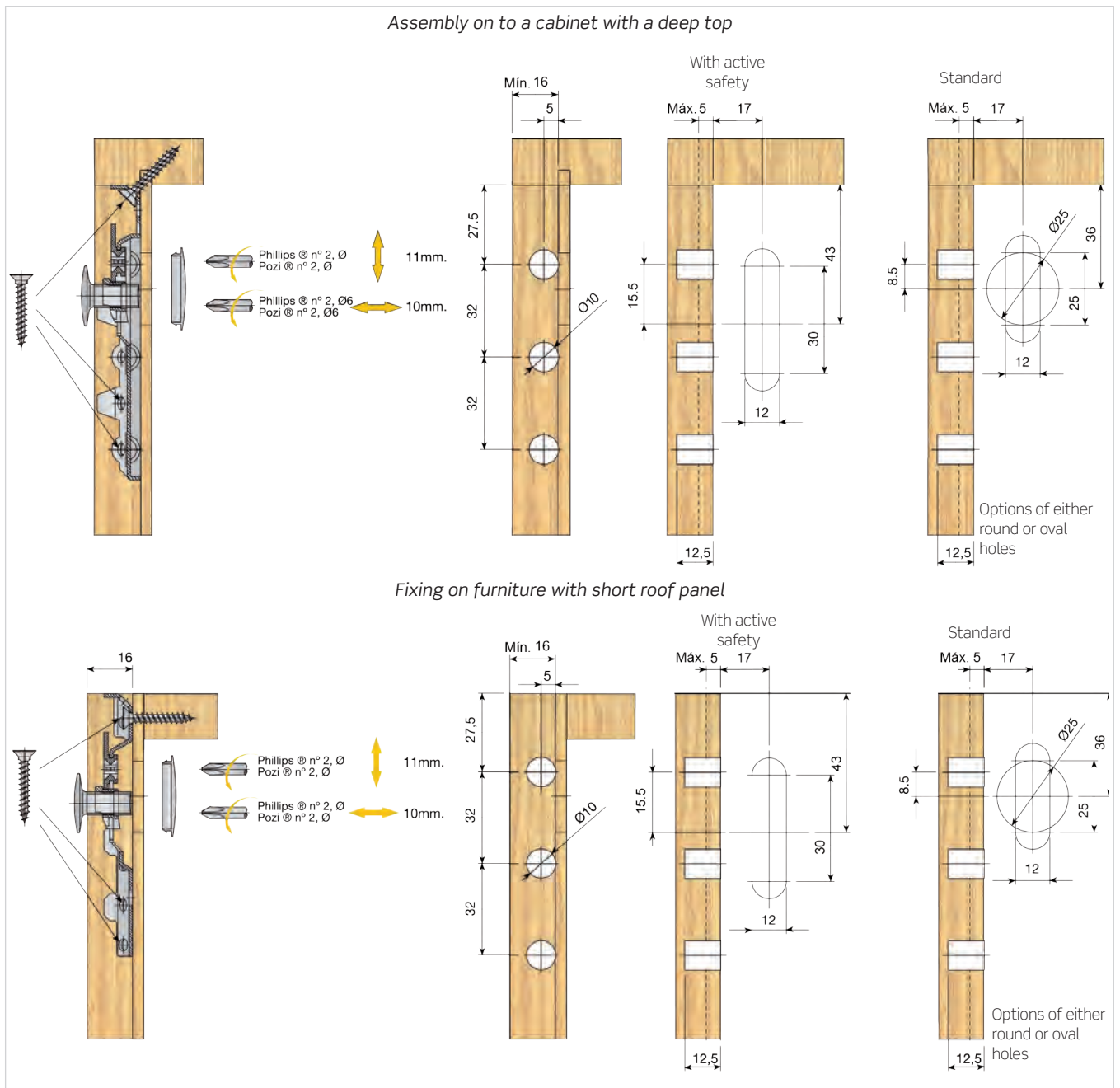


Height adjustment  
Up to 11mm.

> TRASER-8  
knock-in active safety versión




> Assembly and Disassembly  
See end of chapter



■ TRASER-8: Screw-fixed assembly



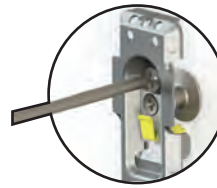
Screw-fix.

Zinc-plated	With active security	Standard	
	627.015.034	627.000.032	100

Nominal capacity of 50 kgs. per hanger. EN 15939 on A setting.  
Fixing screws as indicated.



Depth adjustment.  
Up to 10mm.



Height adjustment  
Up to 11mm.

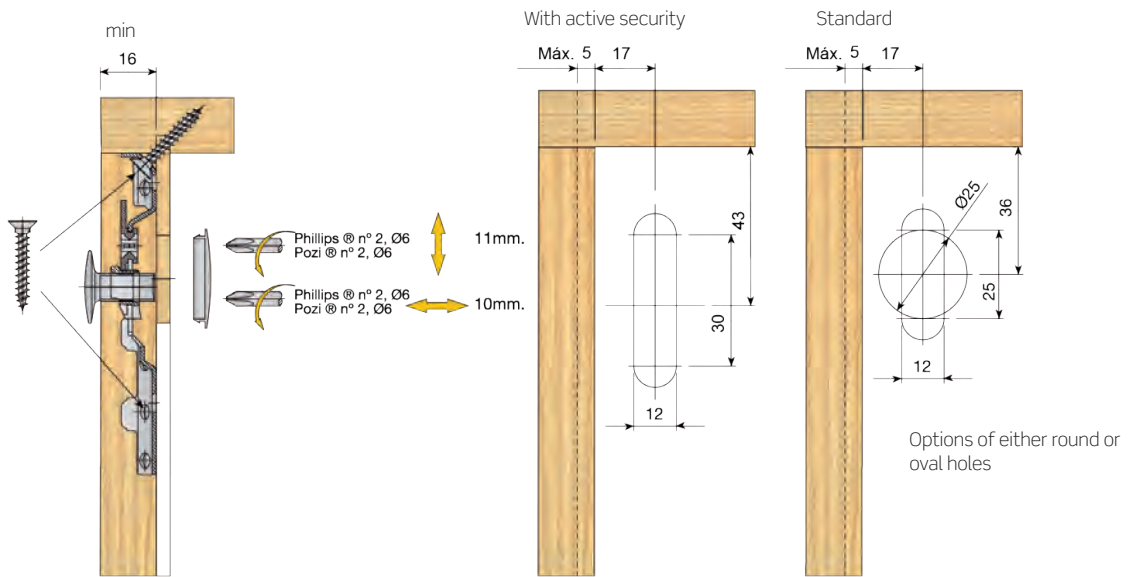
> TRASER-8  
screw active safety versión



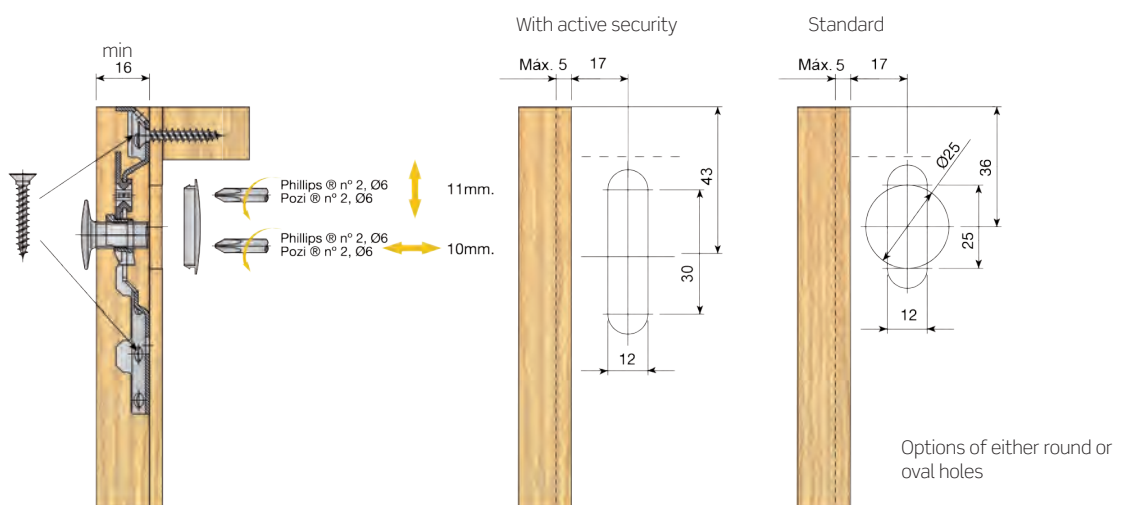
> Assembly and Disassembly  
See end of chapter



Assembly onto a cabinet with a deep top



Assembly onto a cabinet with a short top



■ **TRASER-8: Standard accessories**

Traser single wall mounting plate.

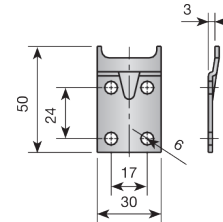
Zinc-plated	622.000.035	500



Bag of accessories.

	630.100.100	250

250 bags per box. Each bag consists of 2 wall mounting plates, 4 x ø6 x 30 Plastic wall plugs and 4 x Ø4.5 X 35 screws.



Traser double wall mounting plate.

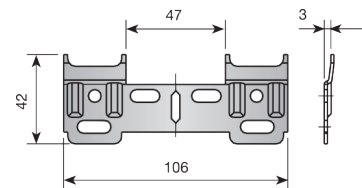
Zinc-plated	620.400.034	250



Bag of accessories

	630.700.103	200

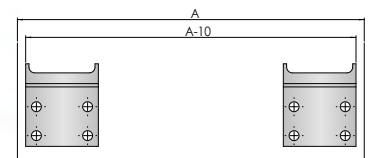
250 bags per box. Each bag consists of 2 wall mounting plates, 4 x ø6 x 30 Plastic wall plugs and 4 x Ø4.5 X 35 screws.



■ **TRASER-8: Active safety accessories**  
(can also be used with the standard system)

Active safety wall mounting plate

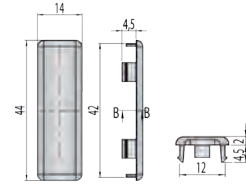
	622.050.030	100



Side adjustment 7mm.  
A: Distance between cabinet sides.  
\*The screws must have ridged head

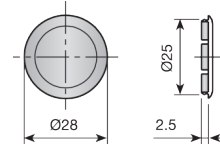
Cover for hanger with active security.

White	RAL 9003	961.712.006	1.000
-------	----------	-------------	-------



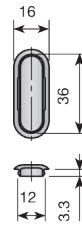
Cover cap for Ø25 hole.

White	RAL 9003	530.400.006	2.000
Gray	RAL 7040	530.400.312	
Nickel-plated		530.400.065	1.000

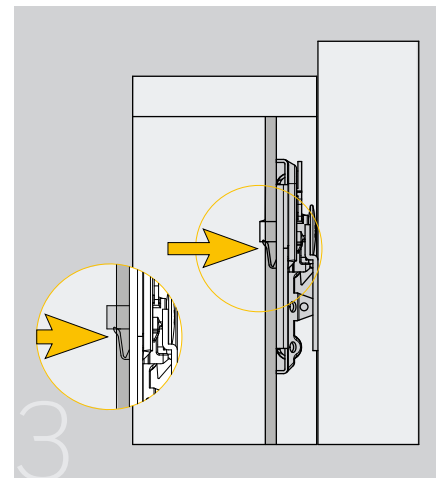
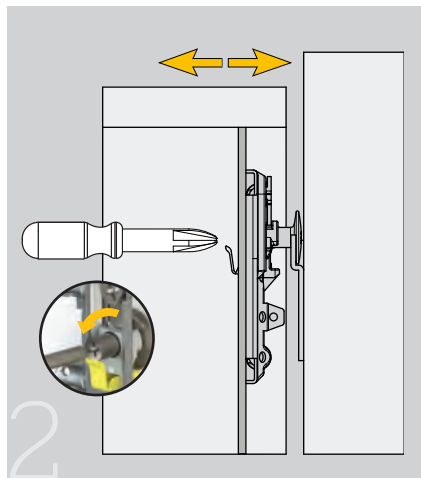
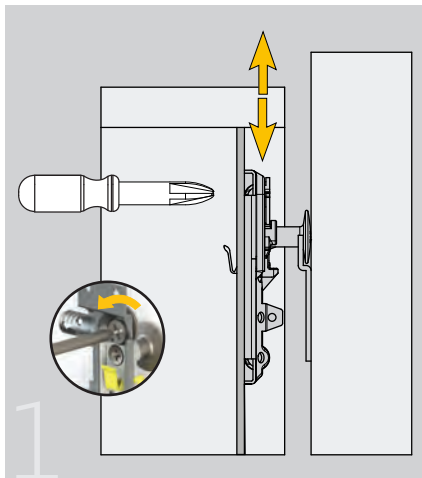


Cover cap for oval 12 hole.

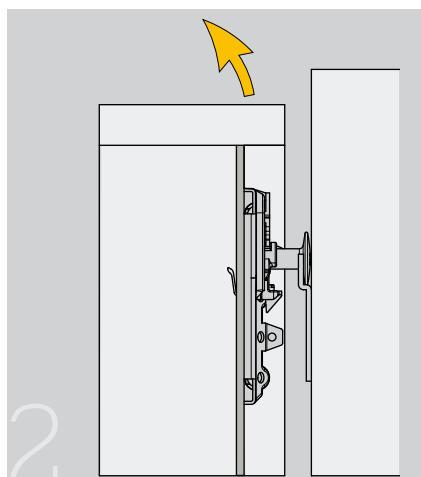
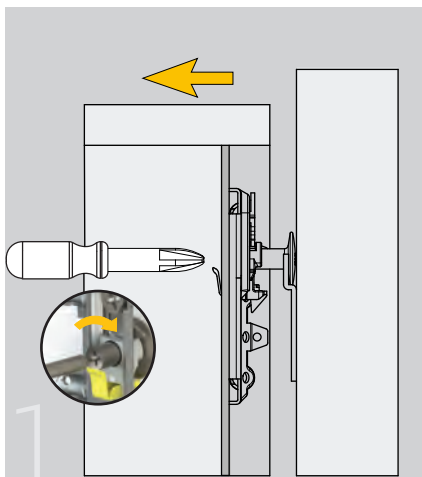
White	RAL 9003	961.412.001	1.000
Nickel-plated		961.512.064	



Assembly and Disassembly Traser 8 with active safety



Assembly: First adjust height to the desired position, then adjust depth and push the active safety feature to engage it



Disassembly: Adjust the depth to the maximum to disengage the active safety feature and disassemble the furniture