


# ACCESSORIES FOR SKIRTING BOARDS

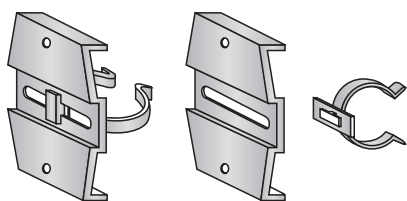
<b>1</b>	<b>PLASTIC PIN AND SUPPORTS</b> .....	156
	■ Pin .....	156
	■ Supports .....	156
<hr/>		
<b>2</b>	<b>STEEL PIN AND SUPPORTS</b> .....	157
	■ Pins .....	157
	■ Supports .....	157
<hr/>		
<b>3</b>	<b>FLEXY SKIRTING BOARD HOLDER</b> .....	158
	■ Skirting board holder .....	158

# 1 PLASTIC PIN AND SUPPORTS

## Pin


Plastic pin.

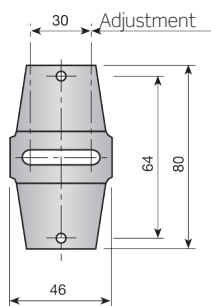
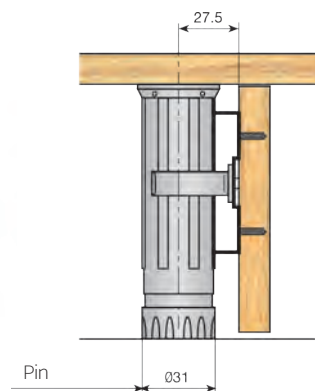
		
For Ø31 leg	413.032.104	500
For Ø40 leg	413.040.106	



## Supports

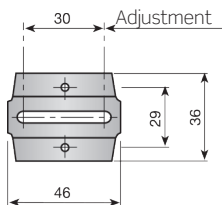
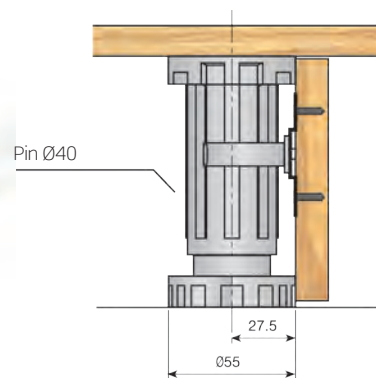
Long bracket.

		
Zinc-plated	414.000.031	250



Short bracket.

		
Zinc-plated	414.100.035	1.000



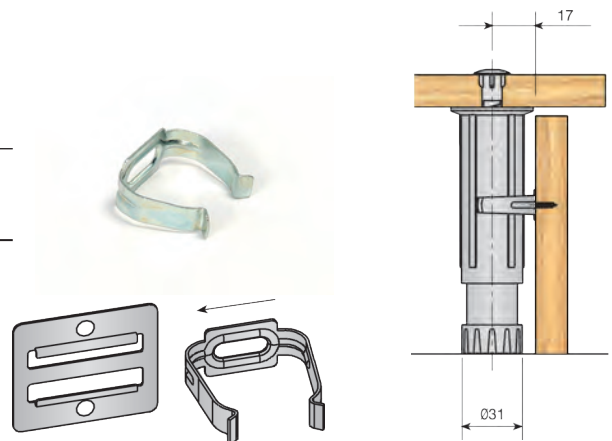
## 2 STEEL PIN AND SUPPORTS

### Pins

Pin for Ø31 leg.

Zinc-plated	413.315.033	1000
-------------	-------------	------

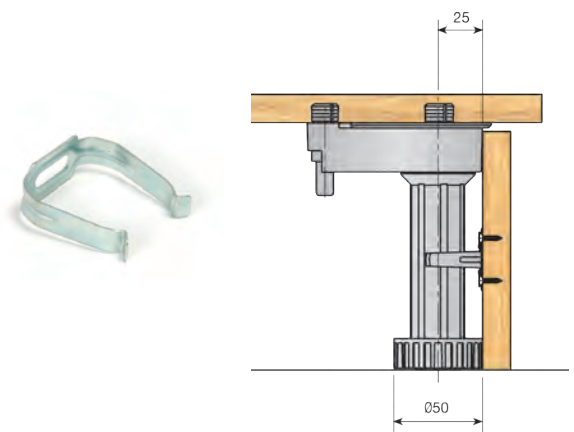
For Ø31 legs.



Pin for Ø50 leg.

Zinc-plated	413.325.032	1000
-------------	-------------	------

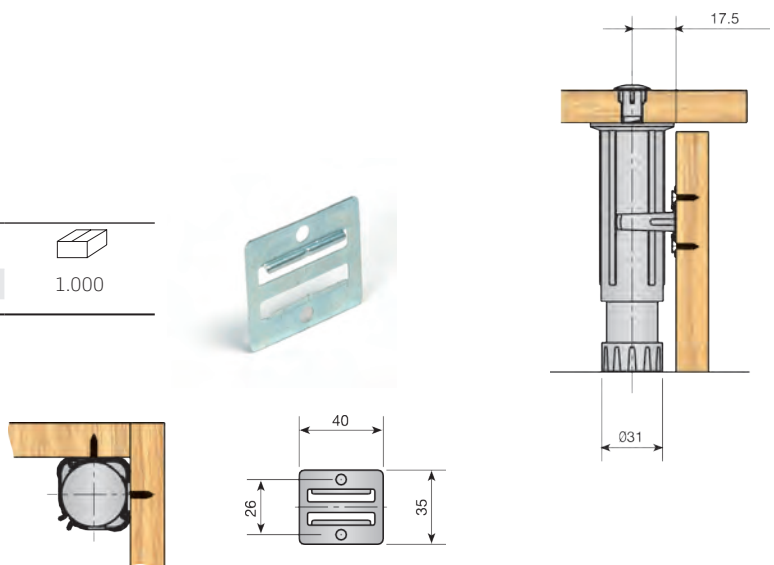
For mamut-5 Ø50 legs.



### Support

Plate.

Zinc-plated	414.700.031	1.000
-------------	-------------	-------



### 3 FLEXY SKIRTING BOARD HOLDER

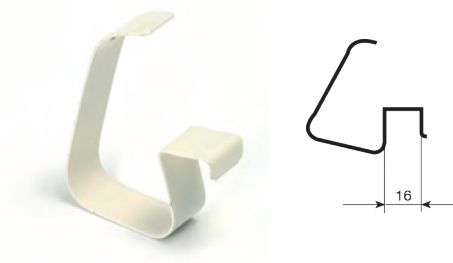
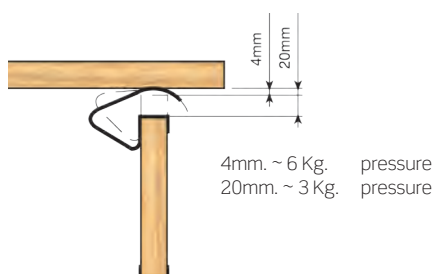
This quick mounting holder acts pushing the skirting board downwards. A height tolerance of 16 mm is allowed.

#### ■ Skirting board holder

##### FLEXY-1 skirting board holder for 16 mm.

Width		15	
White	RAL 9001	414.516.804	500

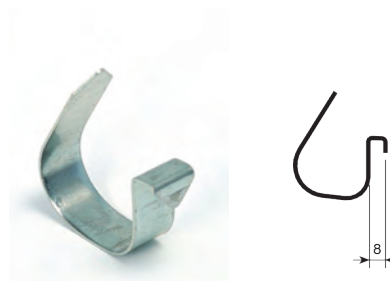
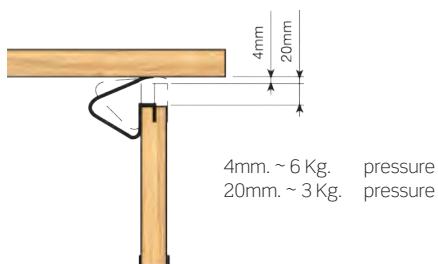
It can be placed by manual pressure.



##### FLEXY-4 knock-in mounting skirting board holder.

Width		15	
Zinc-plated		414.615.036	500

To be nailed with hammer.



##### Skirting board holder for 12 ÷ 19 mm. FLEXY-5.

Width		20	
White	RAL 9001	415.500.805	500

It can be placed by manual pressure.

