

ACCESSORIES FOR SKIRTING BOARDS

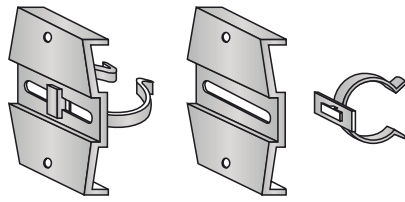
1	PLASTIC PIN AND SUPPORTS	156
	■ Pin	156
	■ Supports	156
<hr/>		
2	STEEL PIN AND SUPPORTS	157
	■ Pins	157
	■ Supports	157
<hr/>		
3	FLEXY SKIRTING BOARD HOLDER	158
	■ Skirting board holder	158

1 PLASTIC PIN AND SUPPORTS

Pin

Plastic pin.

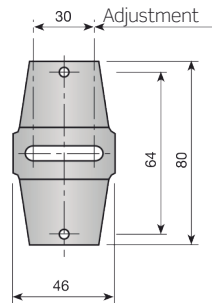
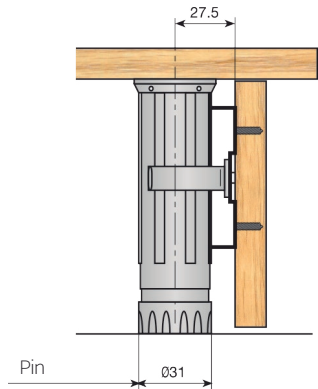
			
For Ø31 leg	413.032.104		500
For Ø40 leg	413.040.106		




Supports

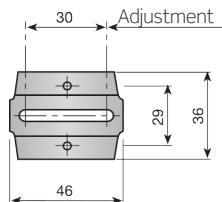
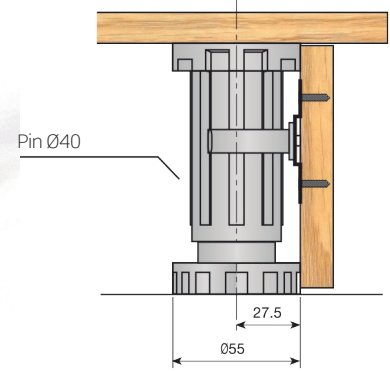
Long bracket.

			
Zinc-plated	414.000.031		250



Short bracket.

			
Zinc-plated	414.100.035		1.000



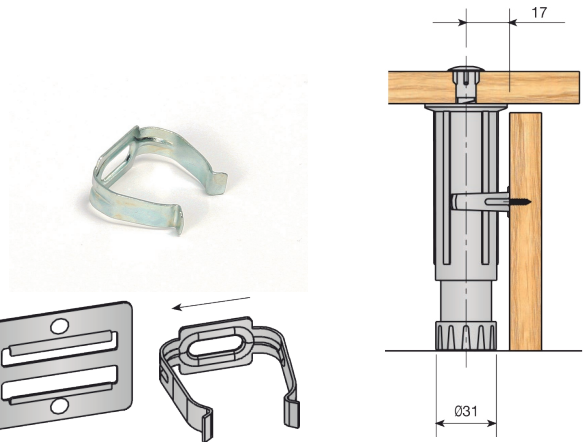
2 STEEL PIN AND SUPPORTS

Pins

Pin for Ø31 leg.

Zinc-plated	413.315.033	1000
-------------	-------------	------

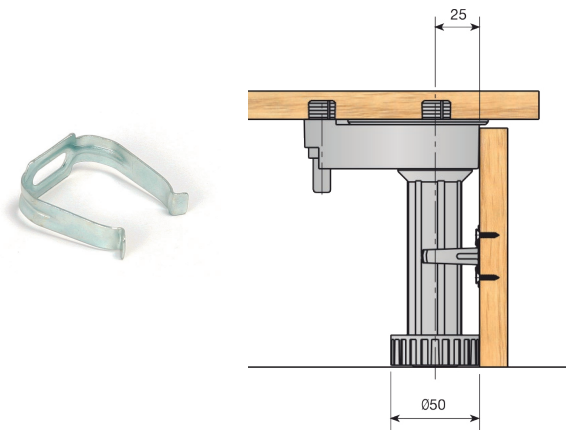
For INTEX Ø31 legs.



Pin for Ø50 leg.

Zinc-plated	413.325.032	1000
-------------	-------------	------

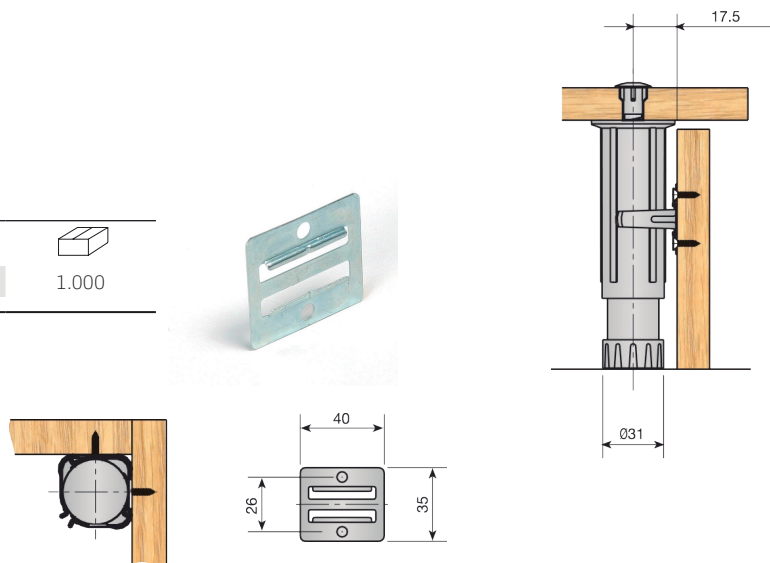
For mamut-5 Ø50 legs.



Support

Plate.

Zinc-plated	414.700.031	1.000
-------------	-------------	-------




3 FLEXY SKIRTING BOARD HOLDER

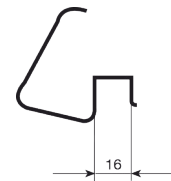
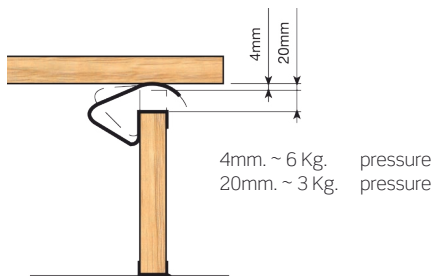
This quick mounting holder acts pushing the skirting board downwards. A height tolerance of 16 mm is allowed.

■ Skirting board holder

FLEXY-1 skirting board holder for 16 mm.

Width		15	
White	RAL 9001	414.516.804	500

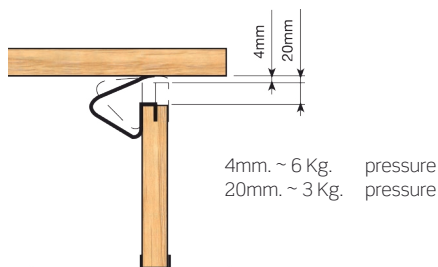
It can be placed by manual pressure.




FLEXY-4 knock-in mounting skirting board holder.

Width		15	
Zinc-plated		414.615.036	500

To be nailed with hammer.



Skirting board holder for 12 ÷ 19 mm. FLEXY-5.

Width		20	
White	RAL 9001	415.500.805	500

It can be placed by manual pressure.

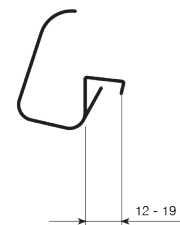
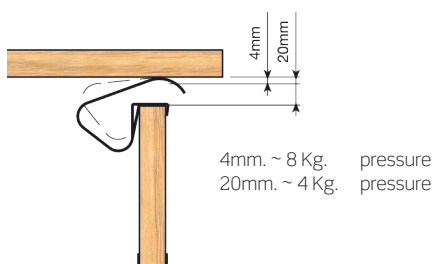


PLATE-RACK

In stainless steel


Plate-rack in stainless steel with glass-rack, and drip tray.

Introducing the new high quality plate -rack in 18.8 Stainless steel to store and drain plates, glasses and other kitchen utensils. As well as assuring long durability, it boasts a practical and useful design. The plate-rack comprises of a drip tray to collect

the excess water, and is able to fit into any module or onto any surface, it does not have to be placed over the sink drainer. Different sizes are available to accommodate any kitchen module. This simple and convenient plate-rack is supplied individually boxed.



Plate-rack + glass-rack + drip tray set.

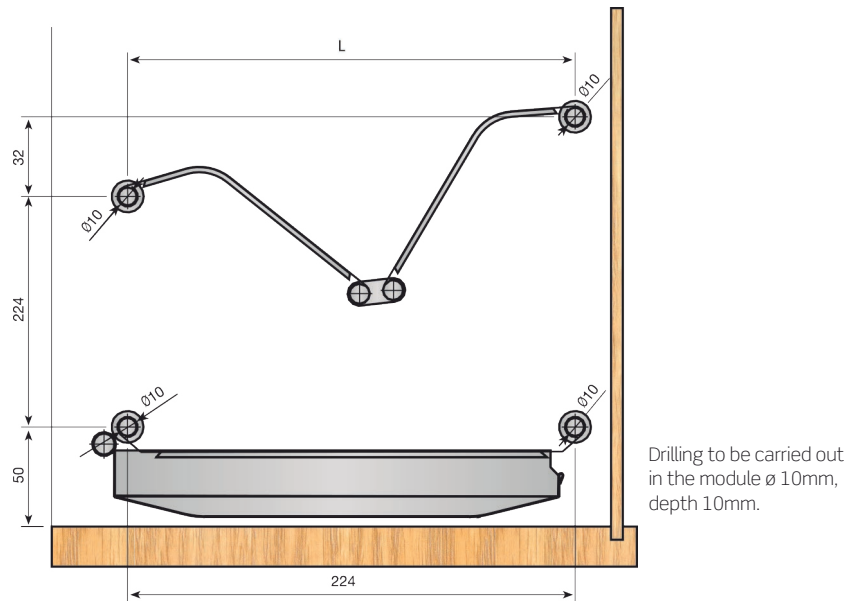
Module		
400	434.040.106	
450	434.045.102	
500	434.050.105	
600	434.060.104	10
700	434.070.103	
800	434.080.102	
900	434.090.101	

An assembly sheet is included.



■ Technical data

L (mm)	Plate (mm)
224	≤ Ø27.5
265	≤ Ø32



Assembly

Quick and easy to assemble, a template of instructions is included on how it can be fitted. The plate-rack does not need screws and is automatically placed into the pre-drilled holes as you can see in the picture below.



1 Place the template at the bottom and back of the unit.



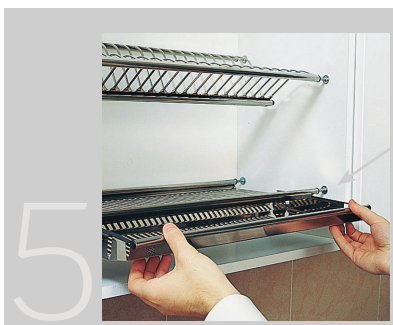
2 Mark with a punch tool as indicated on the template. Various options are available, depending on the desired angle of the plate-rack. Carry out steps 1 and 2 on both sides of the unit.



3 Drill the 8 holes needed to fit the plate-rack onto the points marked out with the punch tool.



4 Proceed to fitting the plate-rack. Pressing the locking lugs, these will be retracted and easily fitted in the module drillings.



5 Lastly the assembly, insert the tray onto the plate-rack support.

