




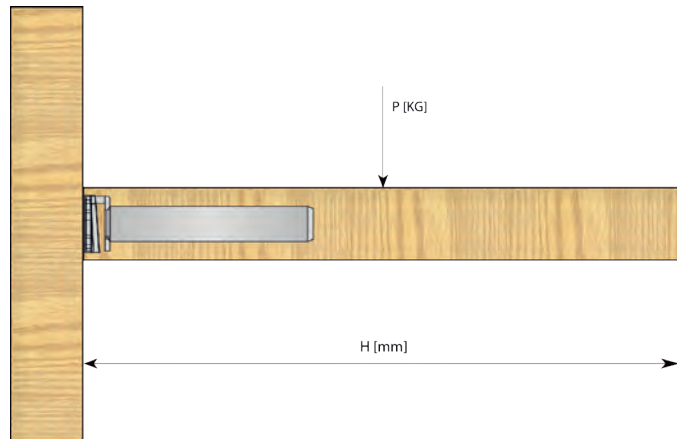
# TENTI SHELF SUPPORTS

<b>1</b>	TENTI - 3 .....		251
<hr/>			
<b>2</b>	TENTI - 4 .....		252
<hr/>			
<b>3</b>	TENTI - 4C .....		253
<hr/>			
<b>4</b>	TENTI - 5 .....		254
<hr/>			
<b>5</b>	TENTI - 7 .....		255
<hr/>			
<b>6</b>	TENTI - 8 .....		256
<hr/>			
<b>7</b>	TENTI - 9 .....		257
<hr/>			

# Maximum loads for TENTI shelf supports

The test levels that TENTI shelf supports meet are achieved with 2 supports for 900 mm. long shelves, and 1 extra support for each 450 mm. we increase the length.

Under these conditions, the following table shows the maximum loads that TENTI shelf supports can endure depending on the shelf depth:



Maximum loads for TENTI shelf supports

TENTI - 3	$P_{MAX} = \frac{3450}{H}$
TENTI - 4	$P_{MAX} = \frac{5750}{H}$
TENTI - 4C	$P_{MAX} = \frac{4600}{H}$
TENTI - 5	$P_{MAX} = \frac{5750}{H}$
TENTI - 7	$P_{MAX} = \frac{6900}{H}$
TENTI - 8	$P_{MAX} = \frac{3450}{H}$
TENTI - 9	$P_{MAX} = \frac{6900}{H}$

# TENTI-3

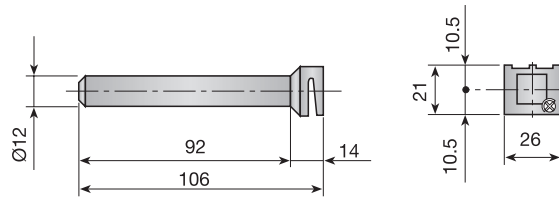
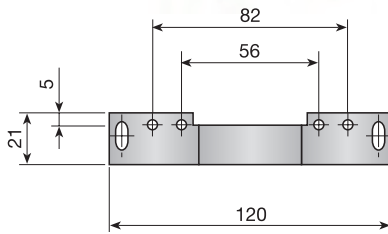
## Shelf Support

Concealed shelf support with 3 adjustments. The hole must be drilled in the centre of the shelf to allow fixing either way up.

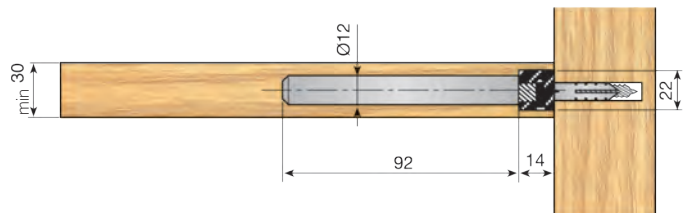
### TENTI-3 Shelf support unit.

633.000.104	 100
-------------	--

Packed in boxes with 100 bags. Each bag contains 1 shelf support, 1 wall Mounting plate, 6 plastic wall plugs  $\varnothing 6 \times 30$  and 6 wood-threaded screws  $\varnothing 4.5 \times 35$ .



Fix the plate to the wall and ensure it is level before fixing the wall plugs.



Shelf with 3 slots



Shelf with one slot



# TENTI-4

## TENTI Shelf Support

■ This support has 3 adjustments and comes with a Ø12 rod for a minimum 18 mm-thick shelf.

### Cover.

White	RAL 9001	640.200.002		
Brown	RAL 8016	640.200.013		
Black	RAL 9005	640.200.024	500	
Oak	RAL 1002	640.200.190		

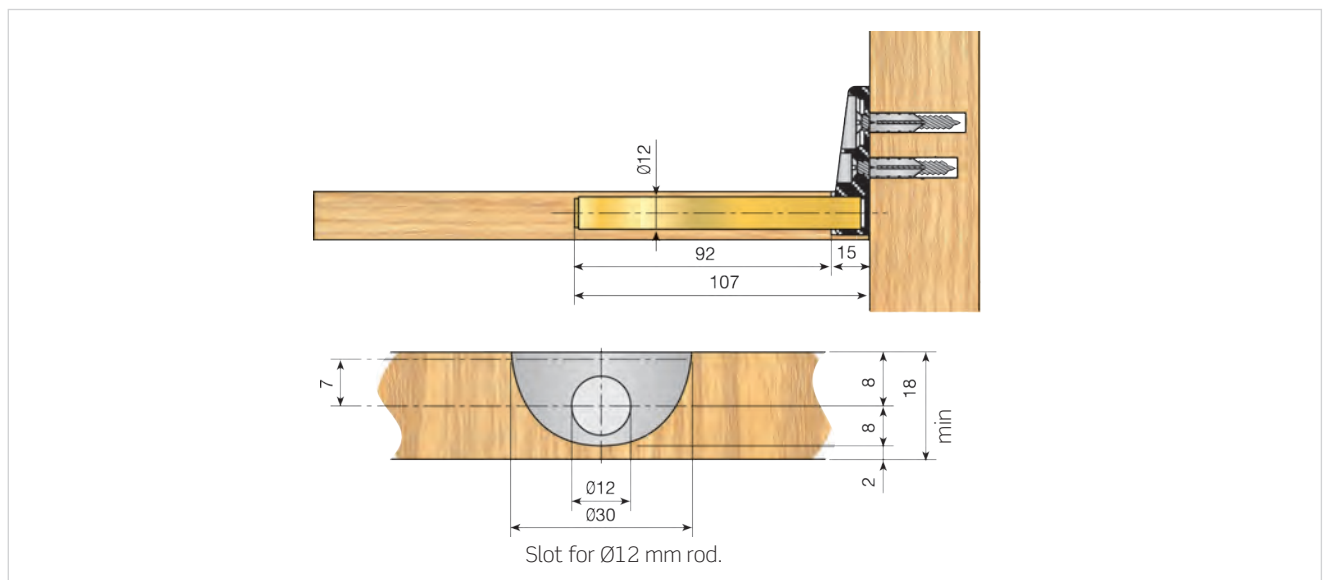
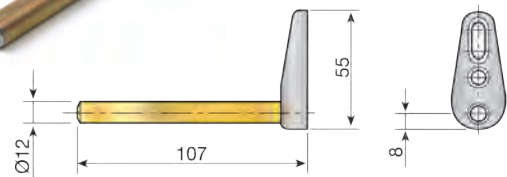


### TENTI-4C Shelf support unit.

Ø12mm.	633.112.104	100
--------	-------------	-----



It comes in boxes of 100 bags. Each bag contains 1 shelf support, 2 plastic wall plugs Ø6 x 30 and 2 screws Ø4.5 x 35.




# TENTI-4C

## TENTI Shelf Support


Shelf support with 3 adjustments, designed to allow concentric and off-Centered mechanization. The concentric mechanization allows two drillings to be made at the same time. For the off-centered mechanization, the two drillings must be made in two different operations. The advantage of the off-centered mechanization is that the shelves may be less thick than for concentric mechanization: minimum 15 mm, for off-centered mechanization and 18 mm for concentric mechanization.

### Cover.

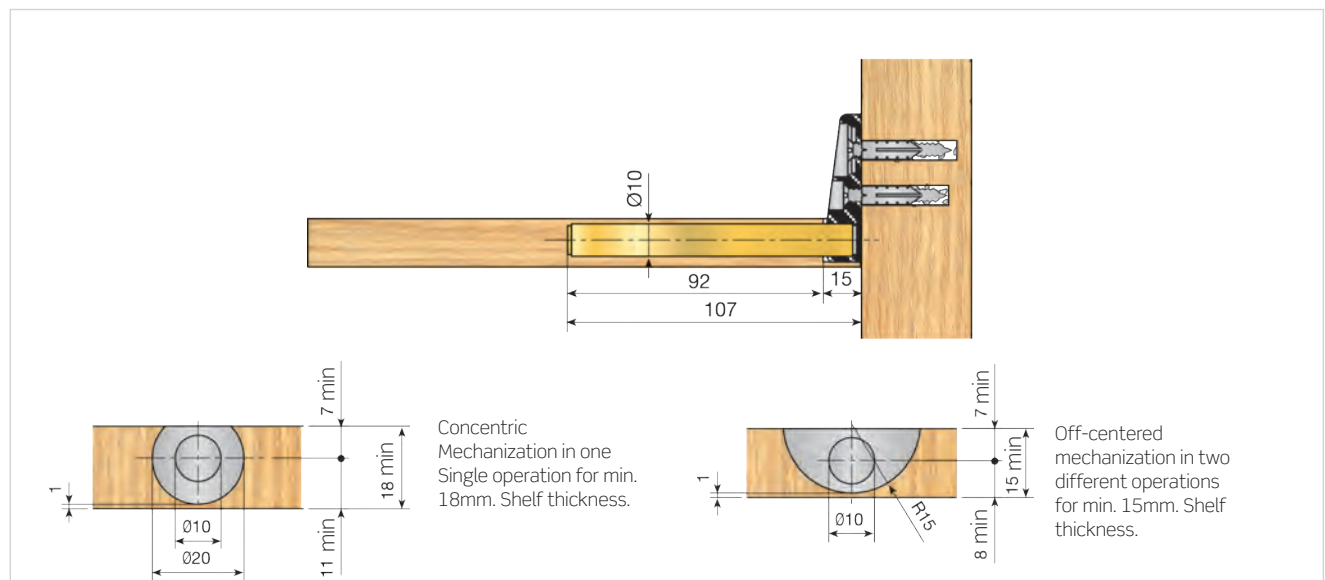
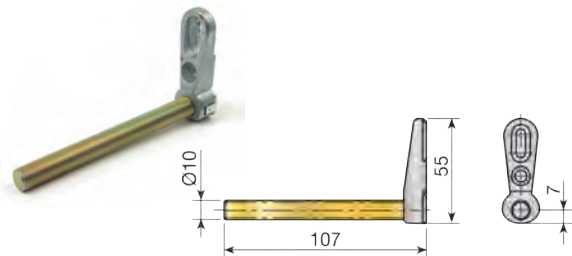
				
White	RAL 9001	640.200.002		
Brown	RAL 8016	640.200.013		
Black	RAL 9005	640.200.024	500	
Oak	RAL 1002	640.200.190		



### TENTI-4C Shelf support unit.

				
Ø10mm.		633.410.105	100	

Packed in boxes with 100 bags. Each bag contains 1 shelf support, 2 plastic wall plugs Ø6 x 30 and 2 wood-threaded screws Ø4.5 X 35.

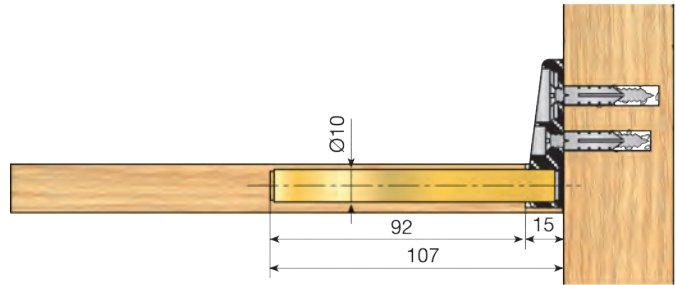


# TENTI-5

## Shelf Support

■ 3 adjustments

Shelf support with 3 adjustments with Ø12 rod for min. 19mm thick shelves.



### Cover plate.

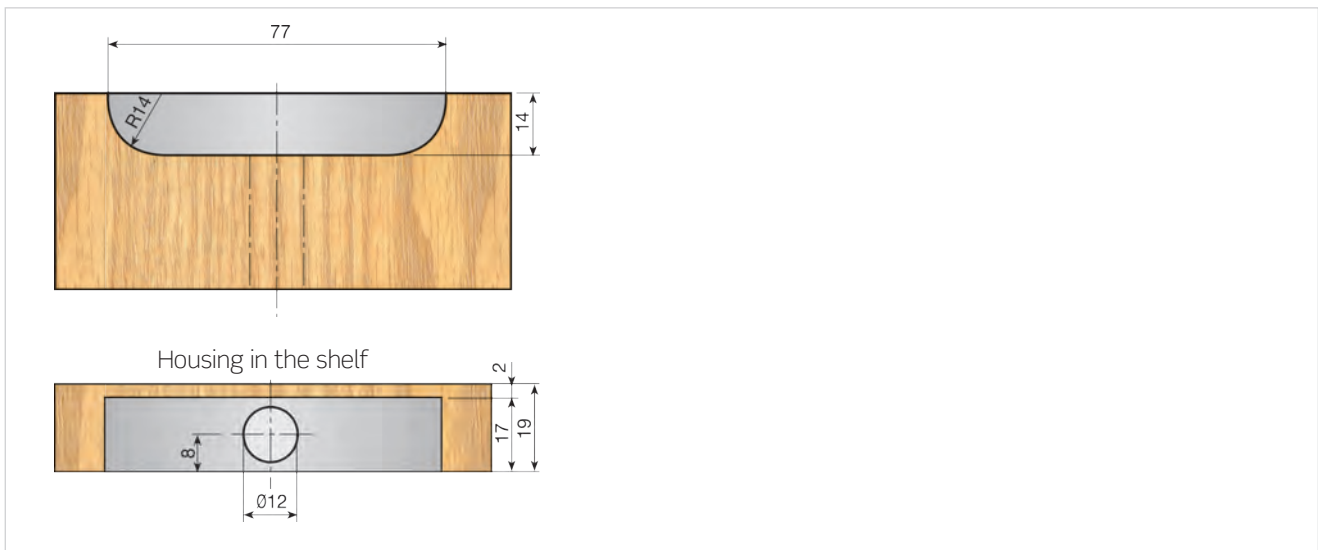
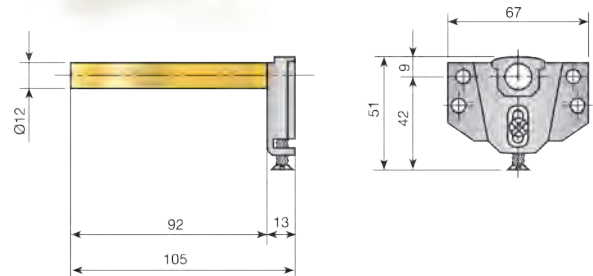
Color	RAL	Product Code	Quantity
White	RAL 9001	640.300.006	250
Brown	RAL 8016	640.300.010	
Black	RAL 9005	640.300.021	
Oak	RAL 1002	640.300.194	



### TENTI-5 shelf support unit.

Rod Diameter	Product Code	Quantity
Ø12mm.	633.212.101	50

Packed in boxes with 50 bags. Each bag contains 1 shelf support, 4 plastic wall plugs Ø6 x 30 and 4 wood-threaded screws Ø4.5 X 35.

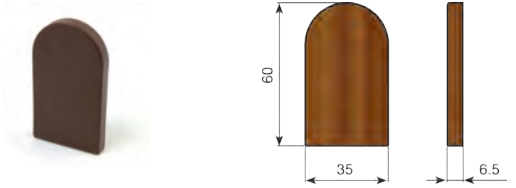


# TENTI-7 Shelf Support

■ High strength shelf support, with decorative cover in different finishes

## Upper Cover.

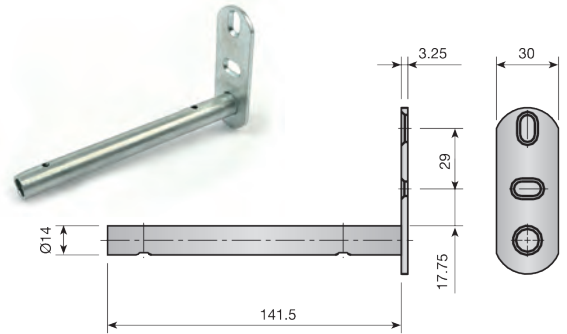
			
White	RAL 9001	640.400.003	250
Brown	RAL 8016	640.400.014	
Black	RAL 9005	640.400.025	
Oak	RAL 1002	640.400.191	




## TENTI-7 shelf support.

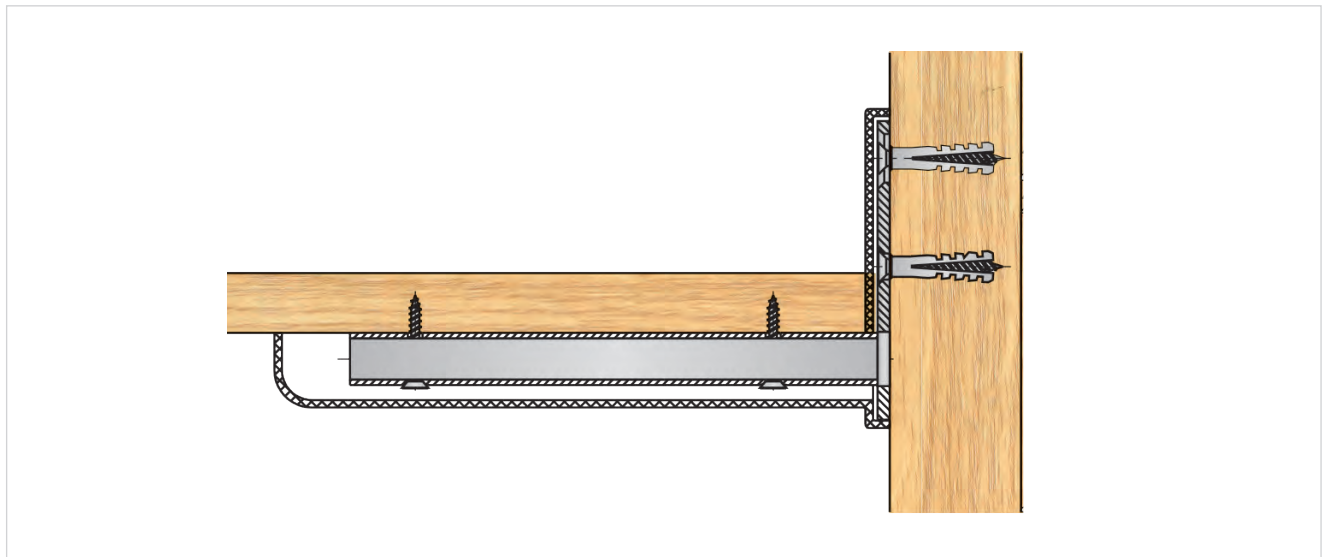
			
Zinc-plated		633.514.103	50

Packed in boxes of 50 bags. Each bag contains 1 single support, 2 plastic wall plugs  $\varnothing 6$  x 30, 2 wood-threaded screws  $\varnothing 4.5$  X 35 and 2 screws  $\varnothing 3.5$  X 25.



## Lower Cover.

			
White	RAL 9001	640.500.000	250
Brown	RAL 8016	640.500.011	
Black	RAL 9005	640.500.022	
Oak	RAL 1002	640.500.195	



# TENTI-8

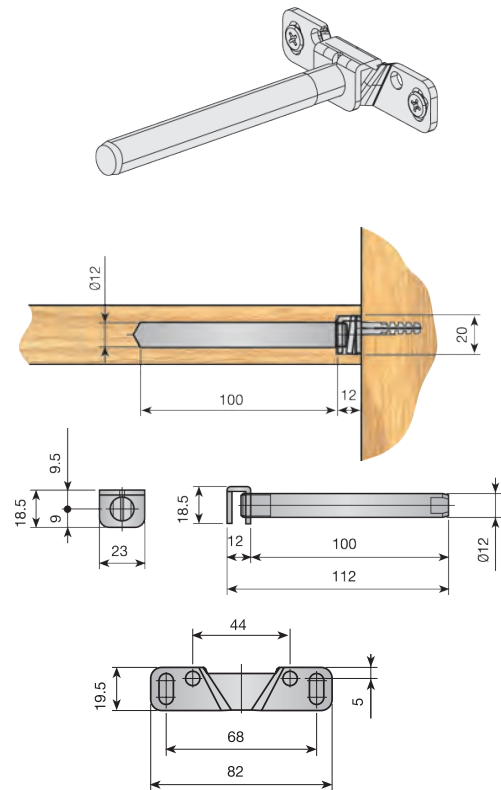
## Shelf Support

The most important characteristic of this shelf support is that it is completely concealed and able to hold heavy loads. Additionally, it allows the shelf to be adjusted in any direction.

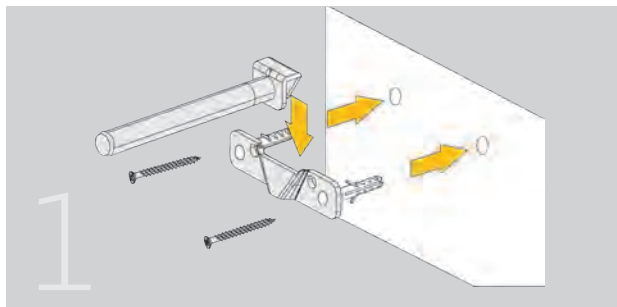
### TENTI-8 shelf support.



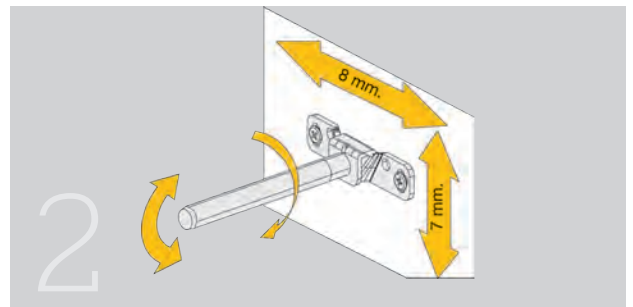
Packed in boxes of 100 bags. Each bag contains 1 support, 4 plastic wall plugs Ø6x 30 and 4 screws Ø4.5x35.



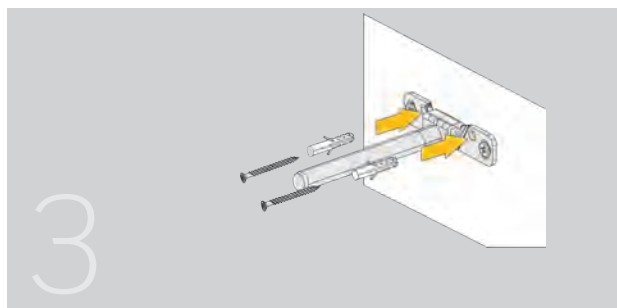
### Assembly TENTI-8



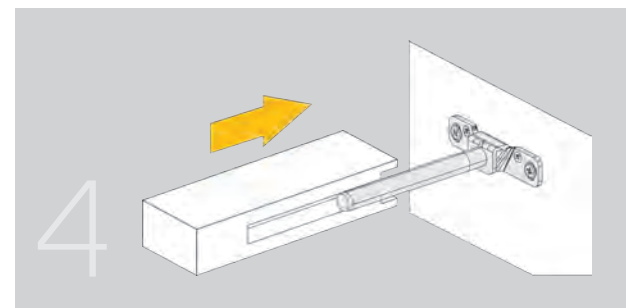
Place the support on the wall with the supplied wall plugs and screws and place the rod on the support.



Oval holes allow accurate levelling. It can be horizontally adjusted by moving the rod along the support. Furthermore, the gradient may easily be adjusted by just turning the rod.



Fix the support in its definitive position with The other two wall plugs and screws to avoid the shelf displacing the levelled position.



Finally, place the shelf in position. This can subsequently be removed whenever necessary to carry out further adjustments.



# TENTI-9

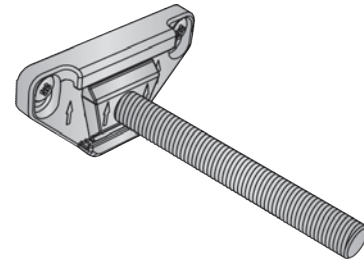
## Shelf Support

■ Completely concealed shelf support. Capable of withstanding heavy loads. No cover cap is necessary. 3-way adjustment.

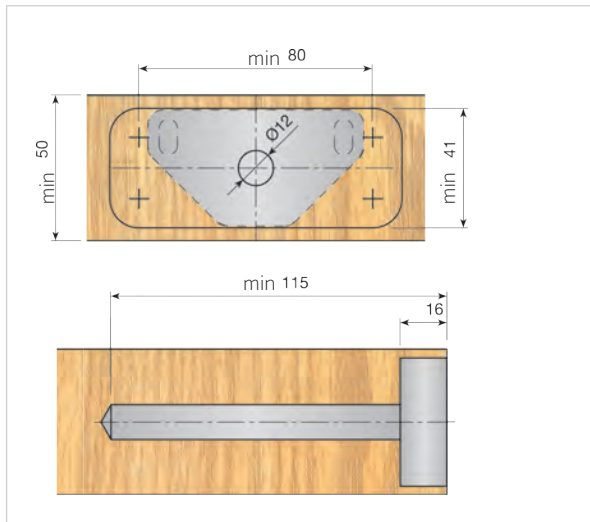
### Shelf support

Natural	633.612.103	100
---------	-------------	-----

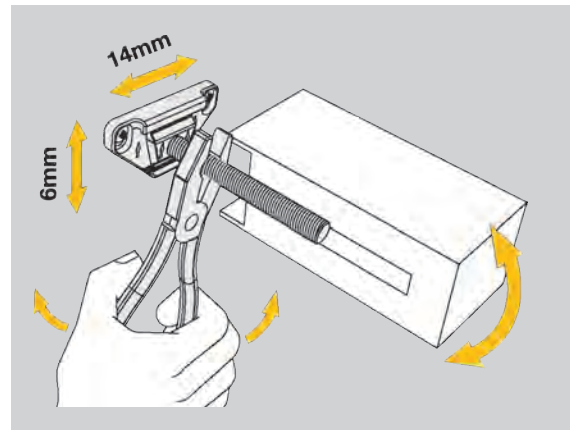
Each reference consists of 1 shelf support set, 2 x Ø6x30 wall plugs and 2 x Ø4.5x45 screws.



### Machining of the shelf



### Adjustment



### Assembly

