


DELTA

MULTI-PURPOSE FITTING




1 MULTI-PURPOSE FITTING DELTA

Fitting for hinged doors and lids.

			
Nickel plated zamak	810.000.063	100	


Bracket for fixing to the side panel.

Drilling distance			
Hinged doors	Lids		
28mm.	50mm.	810.328.061	200

Bracket for fixing to the side panel.

Drilling distance				
Hinged doors	Lids	Screw-fixed	Eurocrew fixed	
37mm.	59mm.	810.237.062	810.737.060	200

Bracket for fixing to the door.

Type of door			
Timber	810.400.065		
Aluminium frame	810.500.062	200	

Bag of fittings.

	Screw-fixed	Eurocrew fixed
	810.100.060	810.110.066

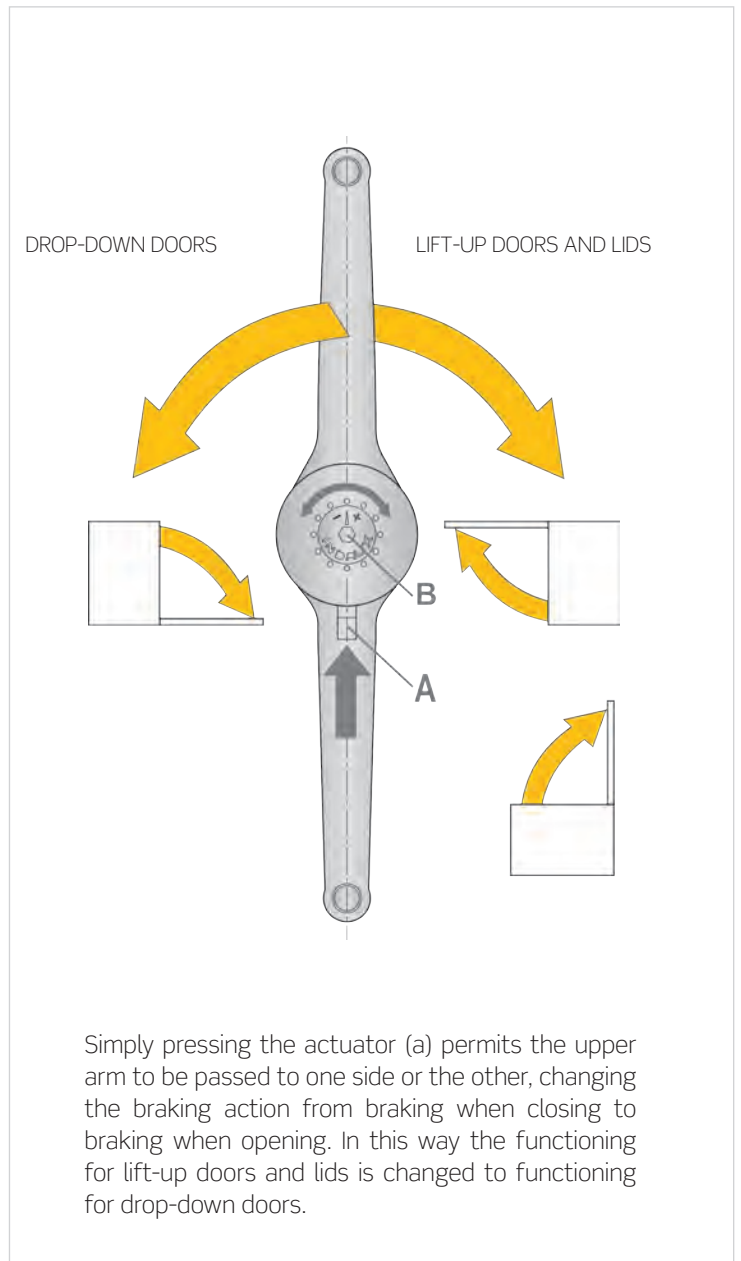
Supplied in boxes of 50 bags each containing 1 fitting for hinged doors and lids, 1 bracket for fixing to the side panel 37 mm from the edge, 1 bracket for timber doors, 1 fixing screw and 1 assembly sheet.



It is also adaptable to glass doors with aluminium frames.

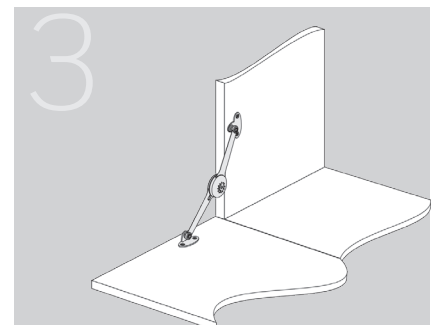
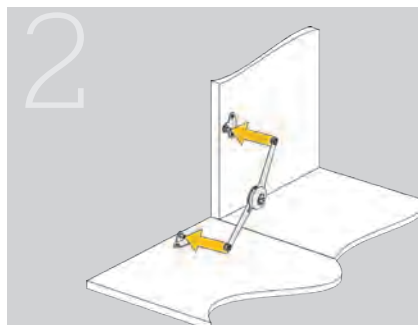
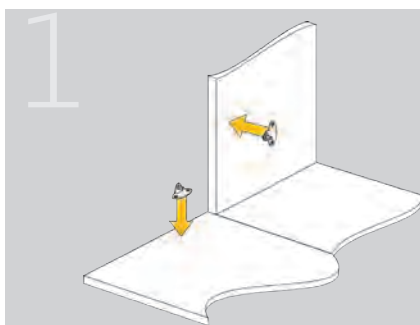
■ Configuration of fitting

Depending on the force adjustment, a variety of positions can be achieved with the 4 mm allen screw (b), from simply braking the door when dropping to the intermediate positioning of the door.

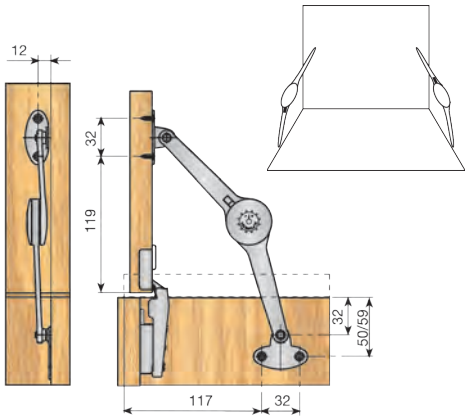


■ Assembly

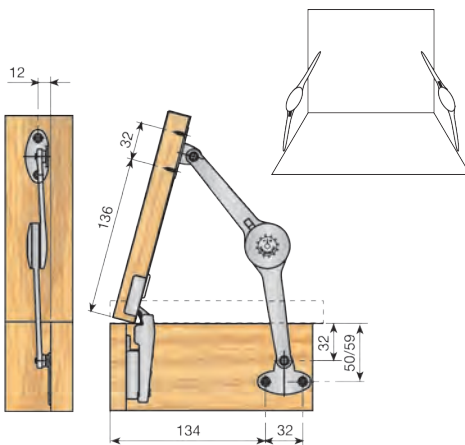
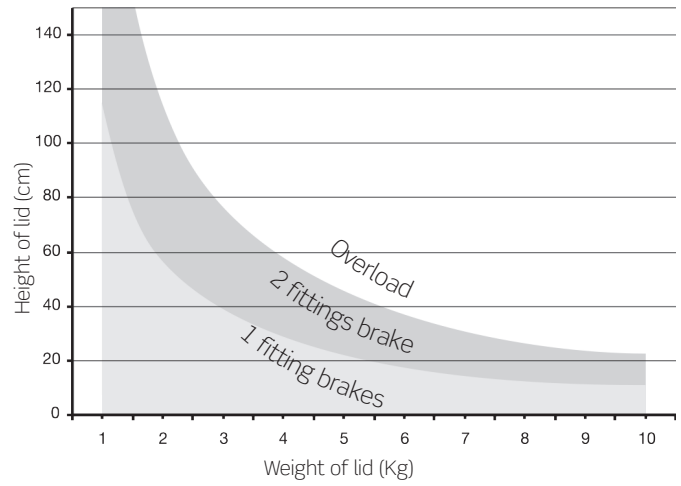
The fitting is very easy to assemble. When the brackets have been screwed in place independently, the fitting can be fitted into them manually, and it can therefore be supplied separately.



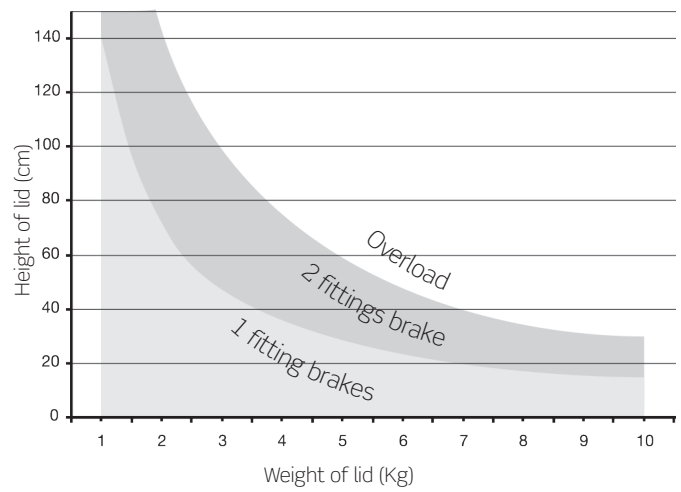
■ Technical data

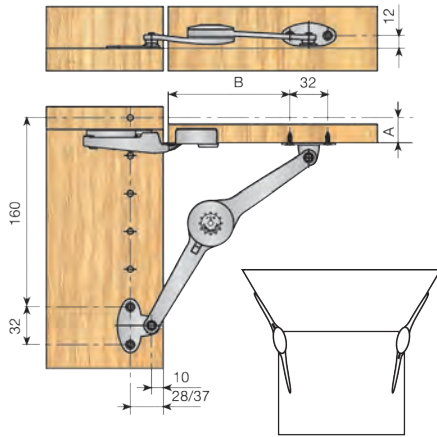


LIFTABLE TO 90° LID

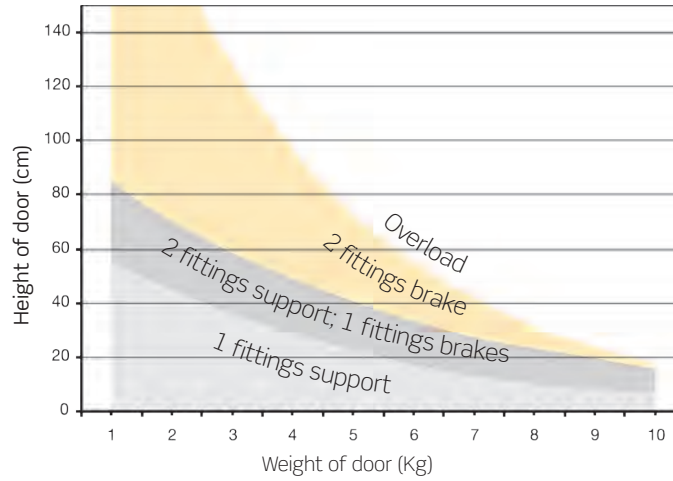


LIFTABLE TO 75° LID

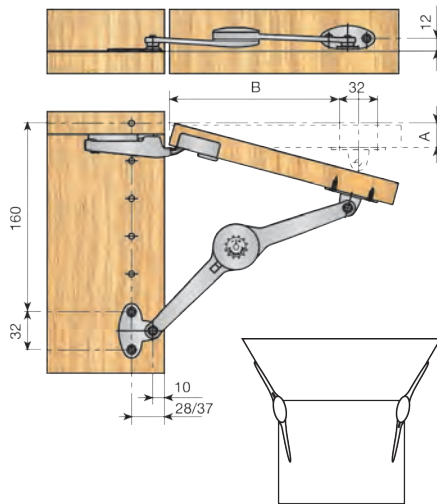




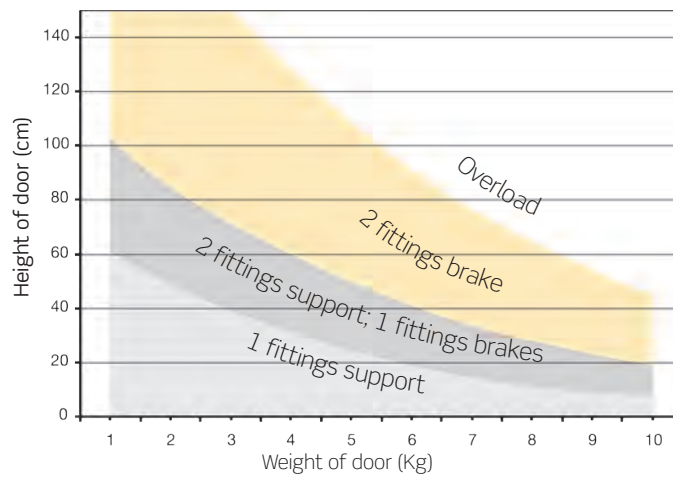
LIFTABLE TO 90° DOOR



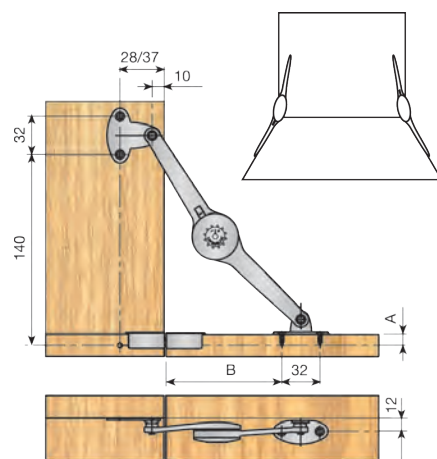
A	B
8	90
9	91
10	92
11	93
12	95
13	96
14	97
15	98
16	99
17	100
18	101
19	102
20	103
21	103
22	104
23	105
24	105
25	106



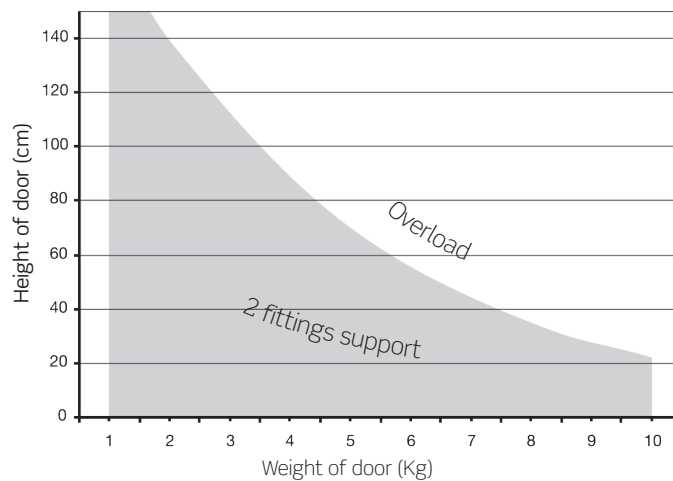
LIFTABLE TO 75° DOOR



A	B
8	132
9	133
10	134
11	135
12	137
13	138
14	139
15	140
16	141
17	142
18	143
19	143
20	144
21	144
22	145
23	146
24	146
25	147




DROP-DOWN DOOR



A	B
8	98
9	99
10	100
11	101
12	103
13	104
14	105
15	106
16	107
17	108
18	109
19	110
20	111
21	111
22	112
23	113
24	113
25	114


2 MULTI-PURPOSE FITTING DELTA X3

Fitting for hinged doors.

Nickel plated zamak	815.000.060		40
---------------------	-------------	---	----




Bracket for fixing to the side panel.

Drilling distance			
Hinged doors			
28mm.	810.328.061		200




Bracket for fixing to the side panel.

Drilling distance			
Hinged doors	Screw-fixed	Euroscrew fixed	
37mm.	810.237.062	810.737.060	200




Bracket for fixing to the door.

Type of door			
Timber	810.400.065		
Aluminium frame	810.500.062		200



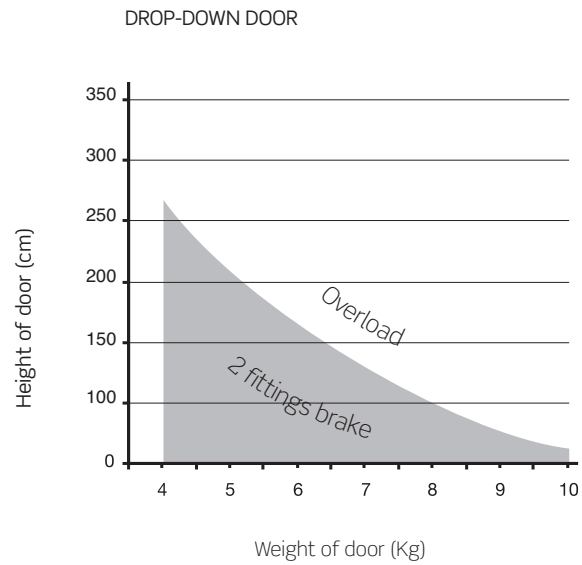
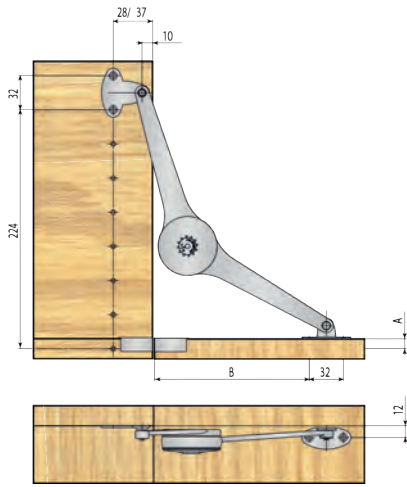
Bag of fittings.

Screw-fixed	Euroscrew fixed	
815.300.065	815.310.064	40

Supplied in boxes of 40 bags each containing 1 fitting for hinged doors and lids, 1 bracket for fixing to the side panel 37 mm from the edge, 1 bracket for timber doors, and 1 fixing screw.



■ Technical data



A	B
8	142
9	143
10	145
11	146
12	147
13	149
14	150
15	152
16	153
17	154
18	156
19	157
20	158
21	160
22	161
23	162
24	163
25	165

■ Assembly

The fitting is very easy to assemble. When the brackets have been screwed in place independently, the fitting can be fitted into them manually, and it can therefore be supplied separately.

