

FITTINGS FOR LIFT-UP DOORS

1	PIVOT ARMS FOR LIFT-UP DOORS		149
2	PIVOT ARM FOR LIFT-UP LIDS		150
3	LIFTING DEVICE WITH SPRING		151
4	2-DOOR LIFTING DEVICE		151

1 PIVOT ARMS FOR UP-AND-OVER DOORS

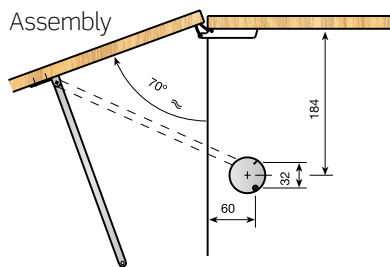
The body and arm may be assembled separately, as the ensemble may be dismantled.

This pivot arm comes in nickel-plated zamak or in plastic, and can be used for right or left-hand doors.

250 mm pivot arm, with detachable arm.

Nickel-plated	826.900.060	100
---------------	-------------	-----

Screws supplied with the item.

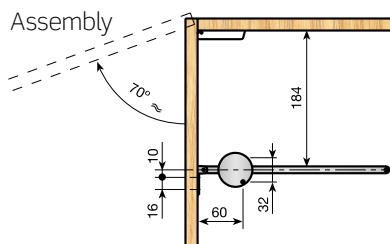


Pivot arm for lift-up doors, particularly for kitchen cupboards. It can be used for right or left-hand doors.

250 mm pivot arm.

White	RAL 9003	816.900.000	100
Brown	RAL 8016	816.900.011	

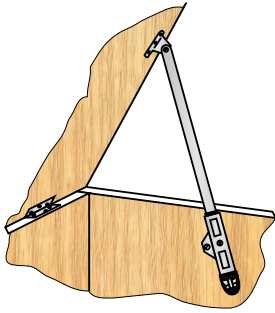
Screws supplied with the item.



How to use

To open, lift the door to the top; let it fall and it will remain in a fully-fitted open position, with maximum safety. To close, slightly lift the door and it will automatically be released from its fixture, and continue its course a few centimetres before closing. It has a brake system to prevent knocks and thus ensure the door remains fully closed.

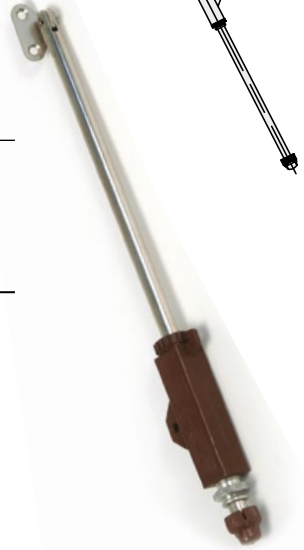
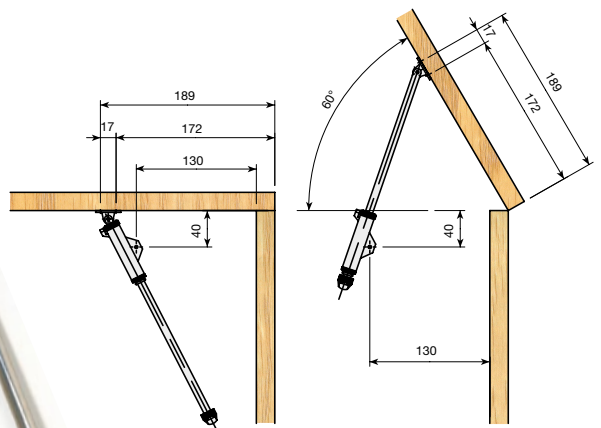
2 PIVOT ARM FOR LIFT-UP LIDS



Pivot arm for lift-up lids. Length 250mm.

Color	RAL	Product Code	Quantity
White	RAL 9003	814.900.004	100
Brown	RAL 8016	814.900.015	
Black	RAL 9005	814.900.026	

Screw and cap are supplied.

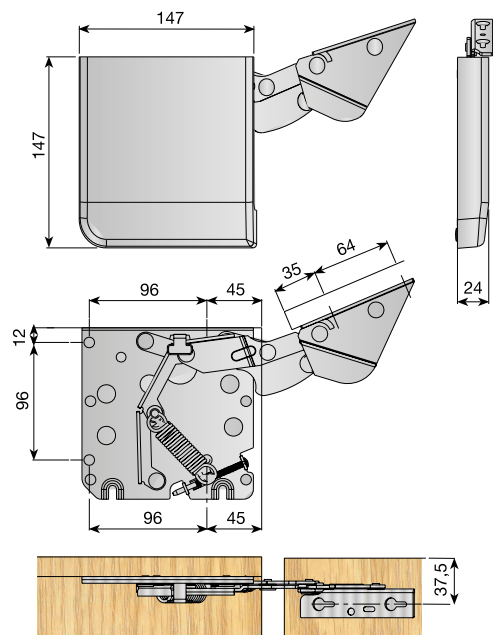


3 LIFTING DEVICE WITH SPRING

Lifting device with spring.

Color	RAL	Product Code	Quantity
Grey	RAL 7035	806.400.081	1

Every reference contains 1 right-hand lifting device, 1 left-hand lifting device, 1 set of white plastic covers.



4 2-DOOR LIFTING DEVICE

2-Door lifting device

Grey	806.200.312	10 
------	-------------	--

Every reference has 1 right-hand lifting device, 1 left-hand lifting device, 18 assembly screws, 2 rubber stops, 1 allen key.

Assembly table

Door height	A	B	C	D
340	116	232	225	50
350	104	242	230	45
360	91	253	235	35

For doors up to 900 mm wide. The total weight of the two doors must not exceed 7 kgs.

