

SUPRA

Range of metal drawers

Economical metal drawer easily assembled and installed, now with the option of incorporating the INDAmatic soft closing. Wood and metal backs, available in different heights and depths.




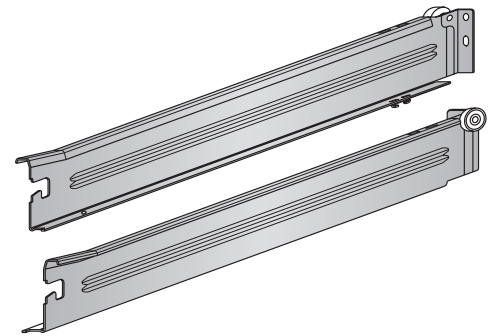
INDAmatic

1 SUPRA DRAWER

Drawers with wooden back


SUPRA-54 drawer

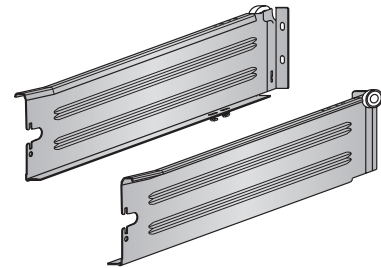
L	White RAL 9001	White RAL 9003	Grey RAL 7040	
270	653.027.001	653.027.130	653.027.314	25
350	653.035.003	653.035.132	653.035.316	
400	653.040.006	653.040.135	653.040.312	
450	653.045.002	653.045.131	653.045.315	
500	653.050.005	653.050.134	653.050.311	
550	653.055.001	653.055.130	653.055.314	



Each reference consists of two drawer sides. Each side is packed separately.
 Minimum order: 100 sets per reference.


SUPRA-86 drawer

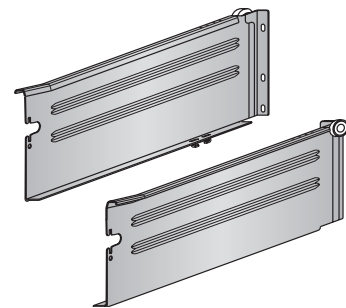
L	White RAL 9001	White RAL 9003	Grey RAL 7040	
270	653.127.005	653.127.134	653.127.311	25
350	653.135.000	653.135.136	653.135.313	
400	653.140.003	653.140.132	653.140.316	
450	653.145.006	653.145.135	653.145.312	
500	653.150.002	653.150.131	653.150.315	
550	653.155.005	653.155.134	653.155.311	



Each reference consists of two drawer sides. Each side is packed separately.
 Minimum order: 100 sets per reference.

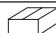
SUPRA-118 drawer

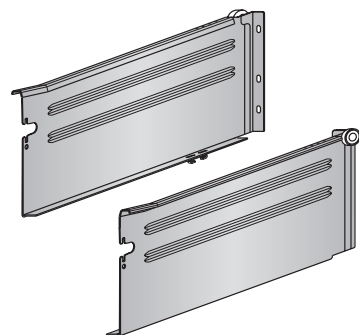
L	White RAL 9001	White RAL 9003	Grey RAL 7040	
350	653.235.004	653.235.133	653.235.310	25
400	653.240.000	653.240.136	653.240.313	
450	653.245.003	653.245.132	653.245.316	
500	653.250.006	653.250.135	653.250.312	
550	653.255.002	653.255.131	653.255.315	



Each reference consists of two drawer sides. Each side is packed separately.
 Minimum order: 100 sets per reference.

SUPRA-150 drawer

L	White RAL 9001	White RAL 9003	Grey RAL 7040	
350	653.335.001	653.335.130	653.335.314	25
400	653.340.004	653.340.133	653.340.310	
450	653.345.000	653.345.136	653.345.313	
500	653.350.003	653.350.132	653.350.316	
550	653.355.006	653.355.135	653.355.312	



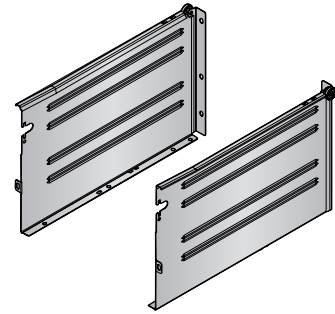
Each reference consists of two drawer sides. Each side is packed separately.
 Minimum order: 100 sets per reference.

Drawers with wooden back

SUPRA-214 drawer

L	White RAL 9003	
350	651.935.130	10
400	651.940.133	
450	651.945.135	
500	651.950.132	
550	651.955.135	

Each reference consists of two drawer sides.

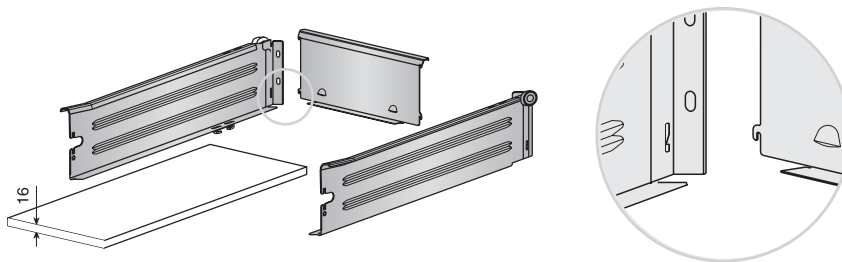
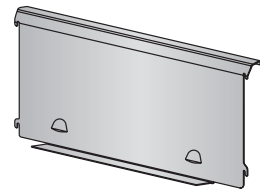


Drawers with steel back. Quick assembly

86 mm. steel back for SUPRA-86.

Module	White RAL 9001	White RAL 9003	Grey RAL 7040	
300	654.030.005	654.030.134	654.030.311	25
350	654.035.001	654.035.130	654.035.314	
400	654.040.004	654.040.133	654.040.310	
450	654.045.000	654.045.136	654.045.313	
500	654.050.003	654.050.132	654.050.316	
600	654.060.002	654.060.131	654.060.315	
900	654.090.006	654.090.135	654.090.312	

Minimum order: 25 backs.

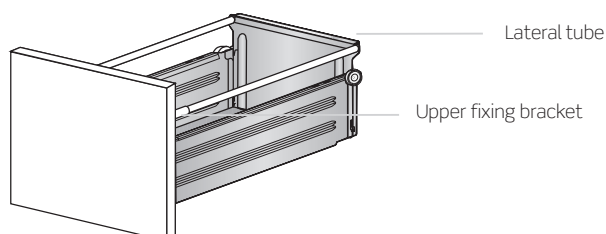
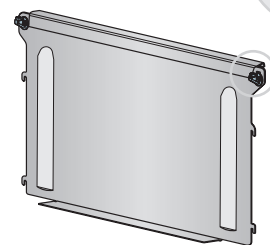
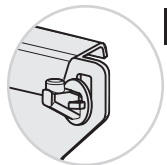


150 mm. steel back for SUPRA-86.

Module	White RAL 9001	White RAL 9003	Grey RAL 7040	
300	654.130.002	654.130.131	654.130.315	25
350	654.135.005	654.135.134	654.135.311	
400	654.140.001	654.140.130	654.140.314	
450	654.145.004	654.145.133	654.145.310	
500	654.150.000	654.150.136	654.150.313	
600	654.160.006	654.160.135	654.160.312	
900	654.190.003	654.190.132	654.190.316	


Minimum order: 25 or 10 backs.

Adaptor for the lateral tube incorporated at the back.

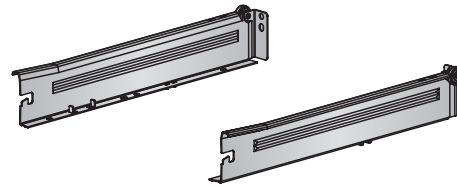


SUPRA Quick


SUPRA-54 drawer

L	White RAL 9003	
270	673.027.132	100
350	673.035.134	
400	673.040.130	
450	673.045.133	
500	673.050.136	
550	673.055.132	

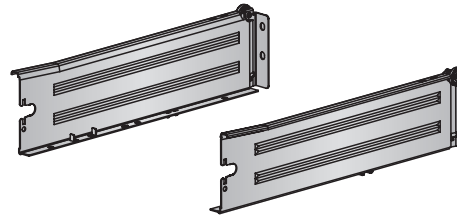
Each reference consists of two drawer sides. Each side is packed separately. The sides come in boxes of 25 units.




SUPRA-86 drawer

L	White RAL 9003	
270	673.227.133	100
350	673.235.135	
400	673.240.131	
450	673.245.134	
500	673.250.130	
550	673.255.133	

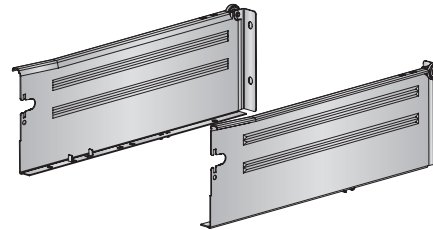
Each reference consists of two drawer sides. Each side is packed separately. The sides come in boxes of 25 units.




SUPRA-118 drawer

L	White RAL 9003	
350	673.435.136	100
400	673.440.132	
450	673.445.135	
500	673.450.131	
550	673.455.134	

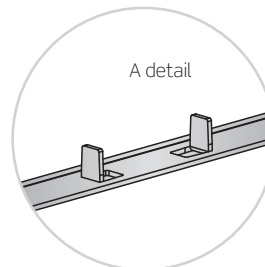
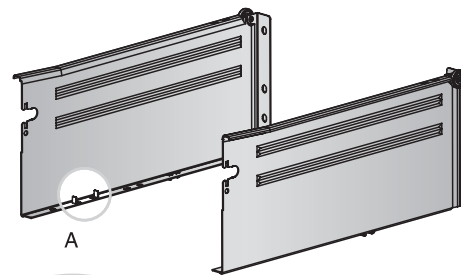
Each reference consists of two drawer sides. Each side is packed separately. The sides come in boxes of 25 units.



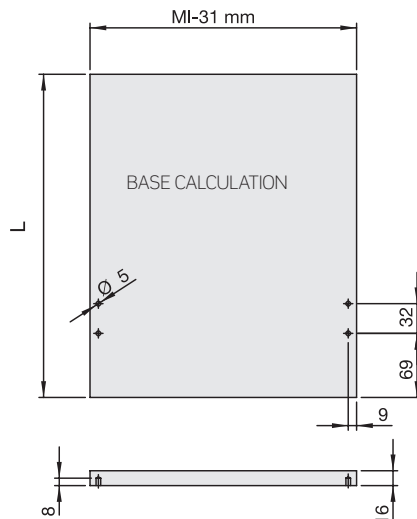
SUPRA-150 drawer

L	White RAL 9003	
350	673.635.130	100
400	673.640.133	
450	673.645.136	
500	673.650.132	
550	673.655.135	

Each reference consists of two drawer sides. Each side is packed separately. The sides come in boxes of 25 units.




Assembling scheme

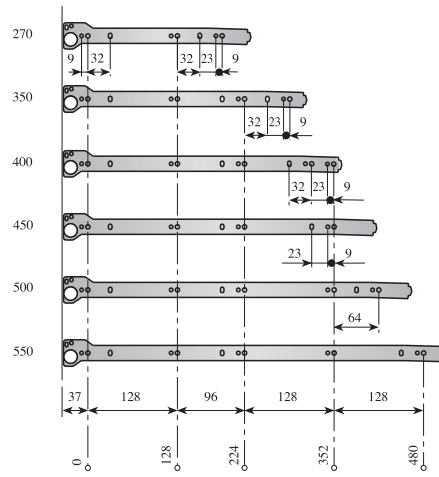
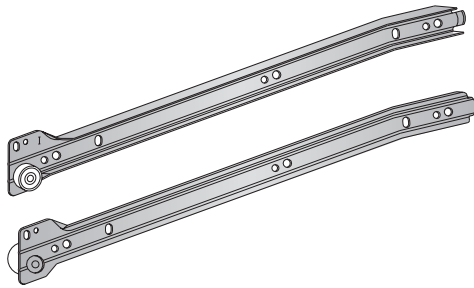


Runners

GACELA runner for SUPRA.

Drawer length	Extension loss P.S.	White RAL 9001	White RAL 9003	Grey RAL 7040	
270	52	653.427.003	653.427.132	653.427.316	100
350	61	653.435.005	653.435.134	653.435.311	
400	70	653.440.001	653.440.130	653.440.314	
450	79	653.445.004	653.445.133	653.445.310	
500	88	653.450.000	653.450.136	653.450.313	
550	97	653.455.003	653.455.132	653.455.316	

Reference consists of a complete set of runners, packed separately in boxes of 100 runners.

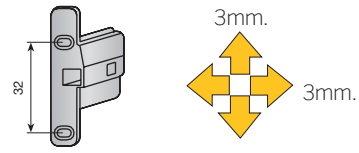


■ Front coupler


Plastic front coupler for SUPRA-54 drawer.

			
White RAL 9001	676.905.003		
White RAL 9003	676.905.132	100	
Grey RAL 7040	676.905.316		

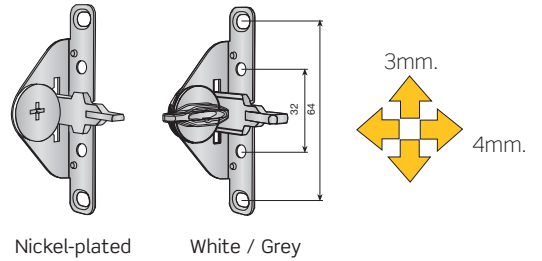
Each reference consists of a complete set of couplers. Lateral and height adjustment: 3 mm.




Steel front couplers screw-mounting for SUPRA-86-118-150-214 drawers.

Nickel-plated	White RAL 9001	White RAL 9003	Grey RAL 7040	
679.300.064	677.900.005	677.900.134	677.900.311	100

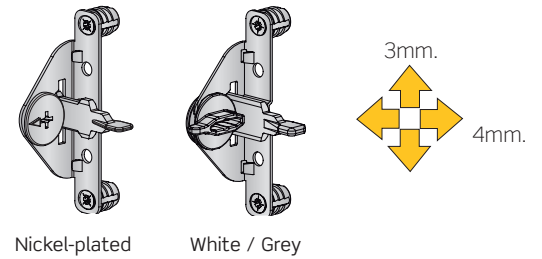
Each reference consists of a complete set of couplers. Lateral adjustment 4 mm. Height adjustment 3 mm with no tools required.




Steel front couplers quick assembly, Ø10, for SUPRA-86-118-150-214 drawers.

Nickel-plated	White RAL 9001	White RAL 9003	Grey RAL 7040	
679.310.063	677.910.004	677.910.133	677.910.310	100

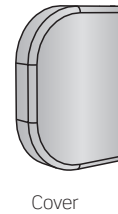
Each reference consists of a complete set of couplers. Lateral adjustment 4 mm. Height adjustment 3 mm with no tools required.



Cover cap for plastic front coupler.

			
White RAL 9001	654.900.002		
White RAL 9003	654.900.131	100	
Grey RAL 7040	654.900.315		

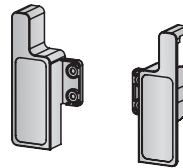
Each reference consists of a complete set of covers. Only for plastic front couplers (refs. 677.900.XXX and 677.910.XXX)




Front coupler for SUPRA-86 inner drawer.

			
White RAL 9001	676.911.001	100	
White RAL 9003	676.911.130		
Grey RAL 7040	676.911.314		

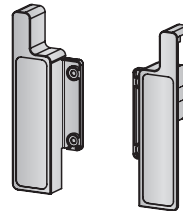
Each reference consists of a complete set of couplers.




Front coupler for SUPRA-118 inner drawer.

			
White RAL 9001	676.940.003	100	
White RAL 9003	676.940.132		

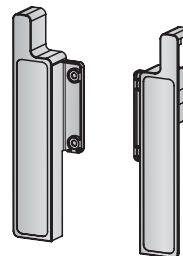
Each reference consists of a complete set of couplers.



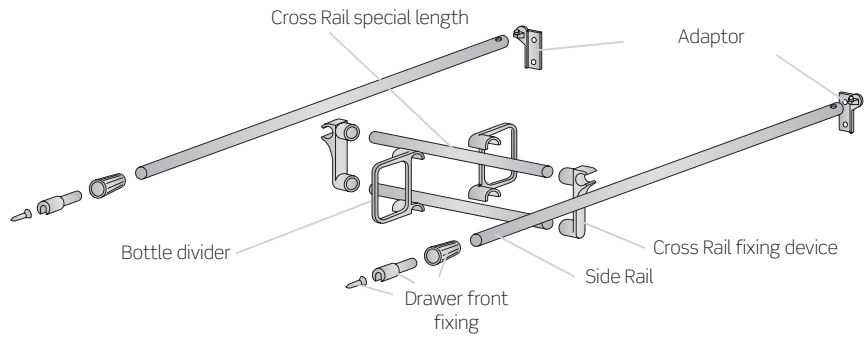
Front coupler for SUPRA-150 inner drawer.

			
White RAL 9001	676.950.002	100	
White RAL 9003	676.950.131		


Each reference consists of a complete set of couplers.




■ Pan drawer accessories



Side rail.

Drawer length	White RAL 9001	White RAL 9003	Grey RAL 7040	
350	746.635.002	746.635.131	746.635.304	50
400	746.640.005	746.640.134	746.640.300	
450	746.645.001	746.645.130	746.645.303	
500	746.650.004	746.650.133	746.650.306	

Adaptor.

Nickel-plated	733.000.063	
		50


Reference consists of a complete set of adaptors.

Drawer front fixing.


White RAL 9001	730.700.003	
White RAL 9003	730.700.132	50
Grey RAL 7040	730.700.316	

Reference consists of a complete set of couplers.


Cross rail fixing device.

White RAL 9001	732.400.001	
White RAL 9003	732.400.130	100
Grey RAL 7040	732.400.314	

Cross rail for 16mm drawer side.


Module	White RAL 9001	White RAL 9003	Grey RAL 7040	
350	746.835.003	746.835.132	746.835.316	50
400	746.840.006	746.840.135	746.840.312	
450	746.845.002	746.845.131	746.845.315	
500	746.850.005	746.850.134	746.850.311	
500	746.850.005	746.850.134	746.850.311	
600	746.860.004	746.860.133	746.860.310	

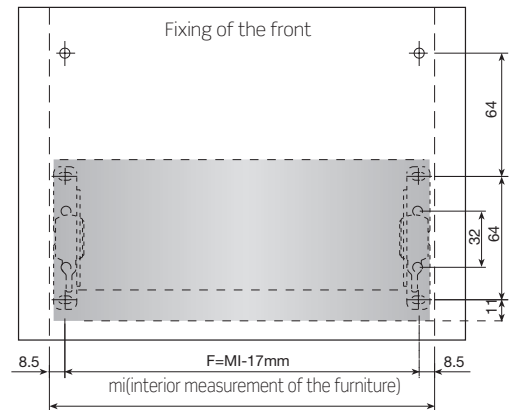
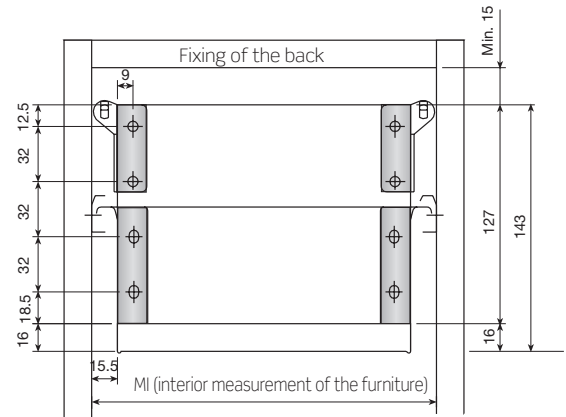
Cross rail, special length.

White RAL 9001	746.700.006	
White RAL 9003	746.700.135	50

MI = Interior measurement of the furniture. L = MI - 48 mm.
Indicate the length of tube desired (L) when ordering.


Bottle divider.

White RAL 9001	748.100.006	
White RAL 9003	748.100.135	50
Grey RAL 7040	748.100.312	



■ Cutlery tray


Cutlery tray, White RAL 9001.

Module	Length 500	Length 450	
300	678.130.003	678.330.004	
350	678.135.006	678.335.000	
400	678.140.002	678.340.003	20
450	678.145.005	678.345.006	
500	678.150.001	678.350.002	
600	678.160.000	678.360.001	

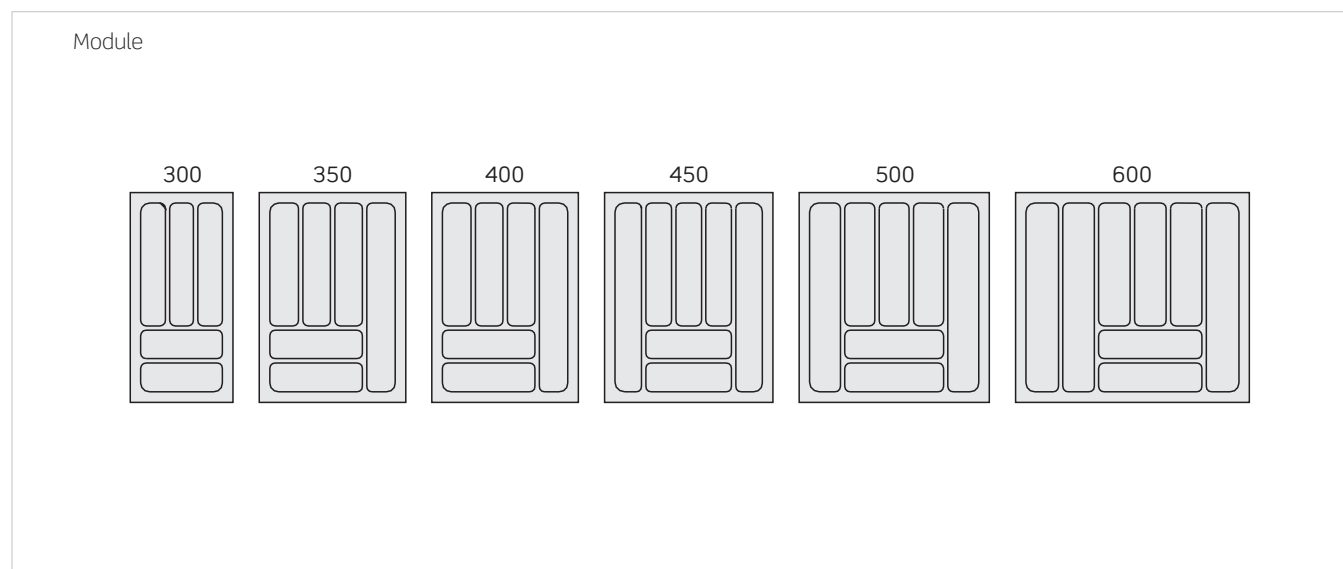
These module dimensions are for 16 mm. Sides, 450 and 500 mm drawer sizes and 16 mm. Back.



Cutlery tray, Grey RAL 7037.

Module	Length 500	Length 450	
300	678.130.305	678.330.306	
350	678.135.301	678.335.302	
400	678.140.304	678.340.305	20
450	678.145.300	678.345.301	
500	678.150.303	678.350.304	
600	678.160.302	678.360.303	

These module dimensions are for 16 mm. Sides, 450 and 500 mm drawer sizes and 16 mm. Back.



■ Technical data

Base calculation: MI-31mm, A, 16

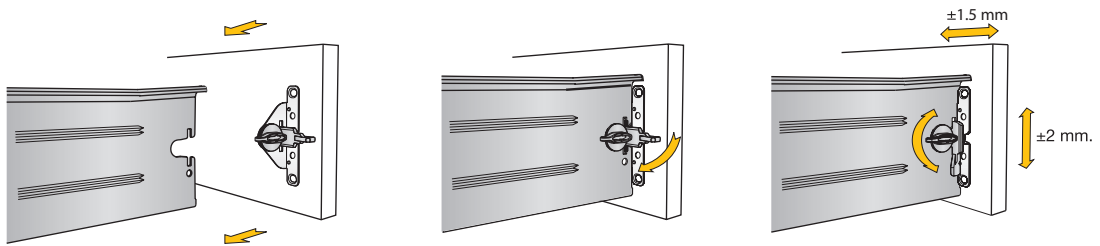
Back calculation: MI-31mm, H, 16

Front inner drawer calculation: MI - 64 mm, H int., 16

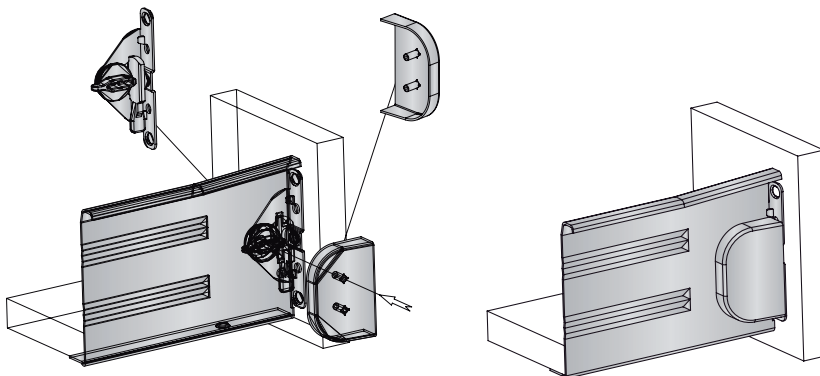
L= nominal drawer length, PS, 69, 32, 9mm

							INNER DRAWER		
	SUPRA-54	SUPRA-86	SUPRA Metal Back	SUPRA-118	Supra-150	Supra-214	SUPRA-86 int.	SUPRA-118 int.	SUPRA-150 int.
H	36	68	-	100	132	196	61	93	125
A	L-2	L-2	L-5	L-2	L-2	L-2	L-18	L-18	L-18

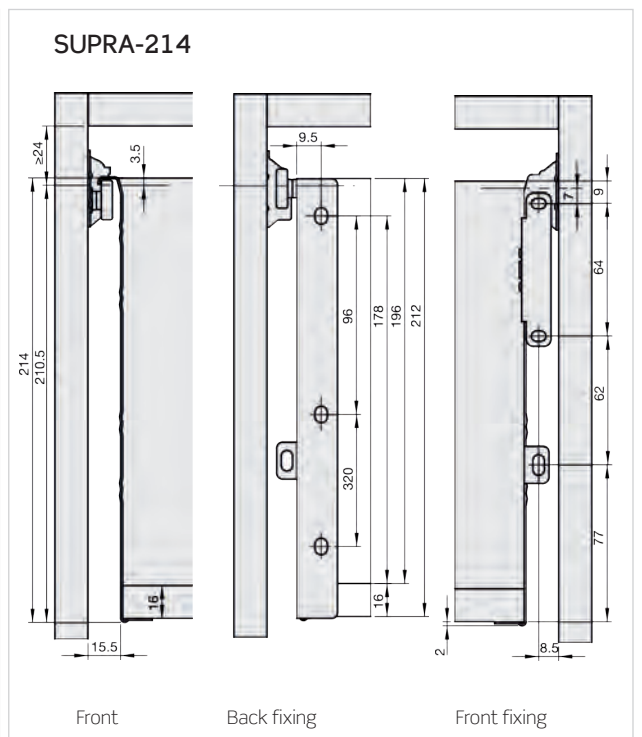
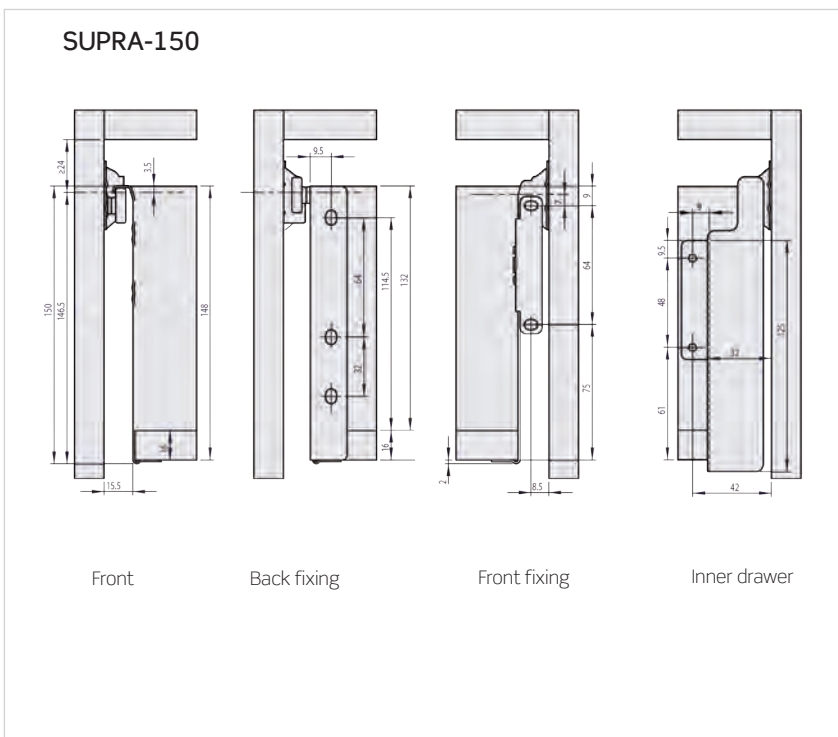
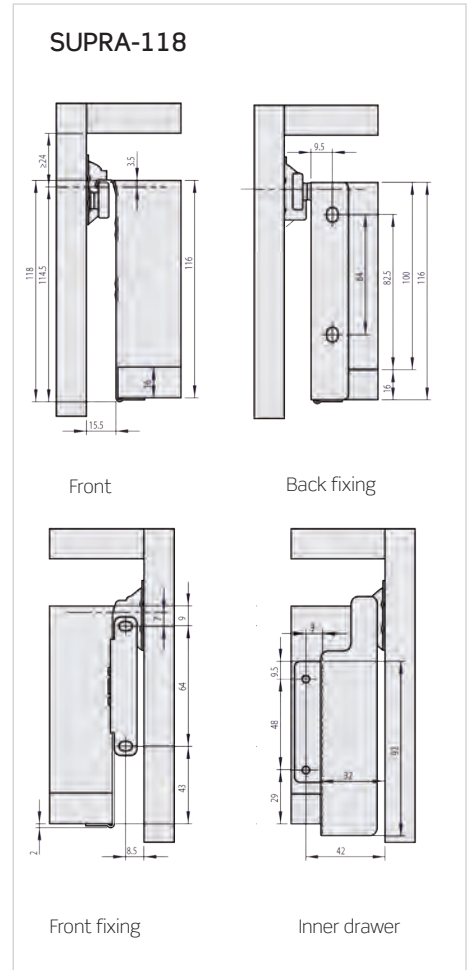
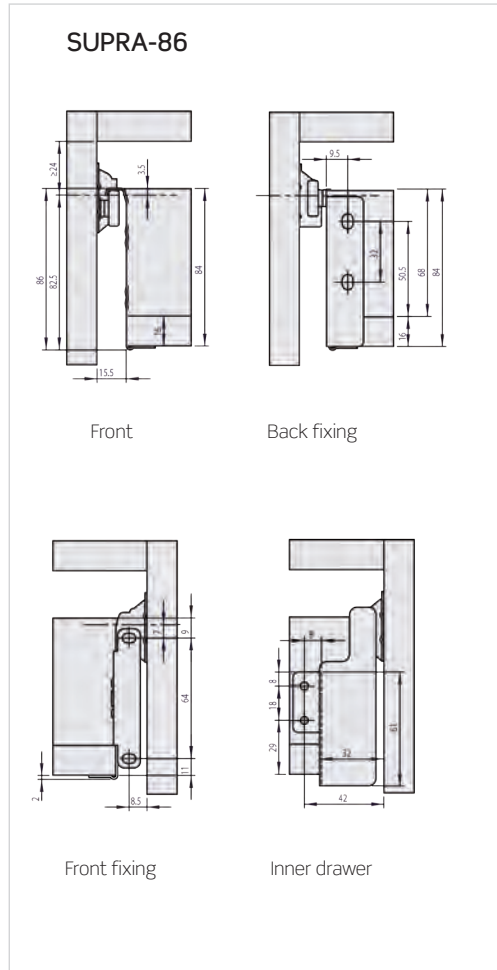
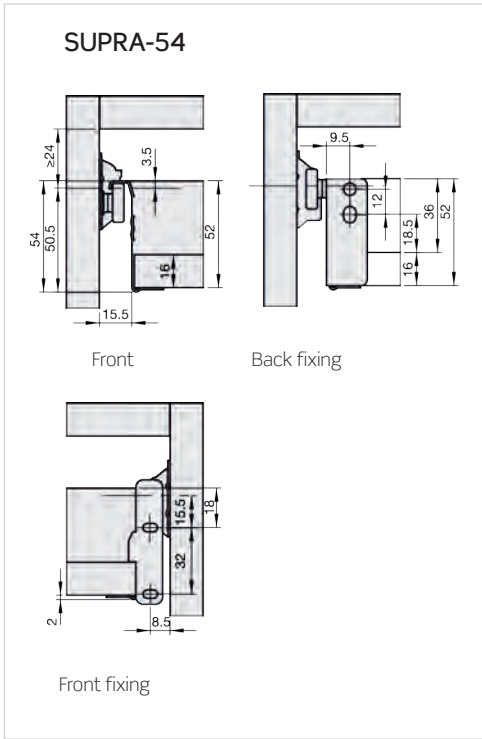
Adjustable steel front adaptor for SUPRA-86-118-150-214



Cover cap for plastic front coupler



■ Technical data

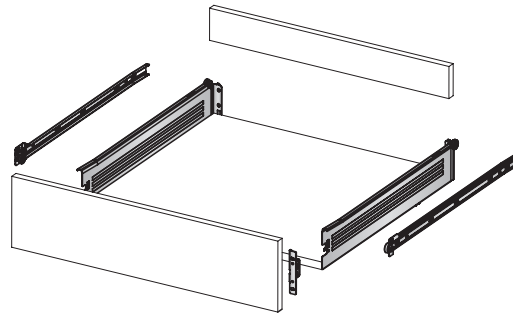


Drawers in kit


SUPRA-86.

Module	White RAL 9001	
270	652.027.003	10
400	652.040.001	
450	652.045.004	
500	652.050.000	

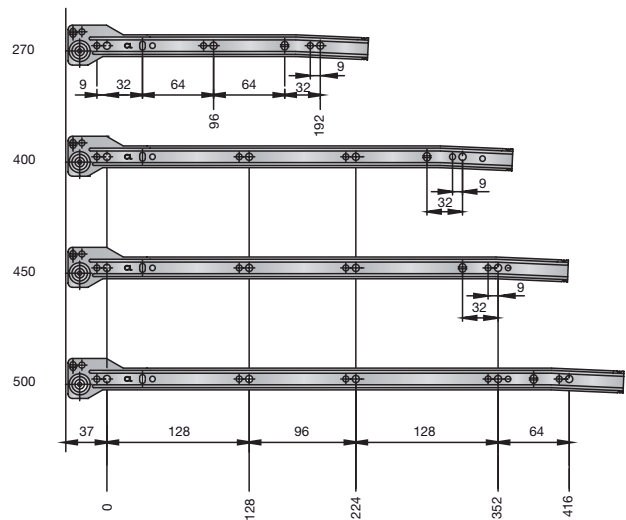
Each reference consists of 1 set of steel front adaptor, 1 set of runners and 1 set of drawer sides.
Minimum order: 100 sets per reference.




SUPRA-118.

Module	White RAL 9001	
400	652.140.005	10
450	652.145.001	
500	652.150.004	

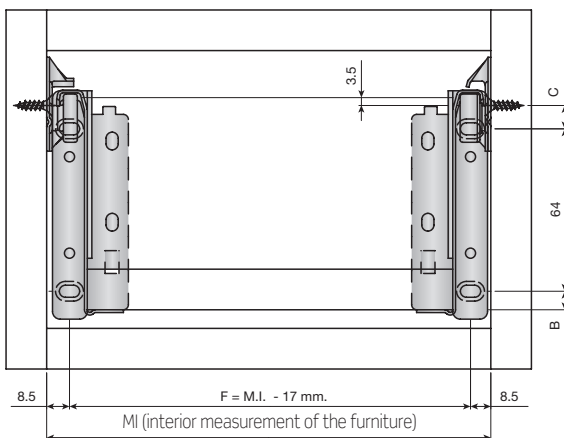
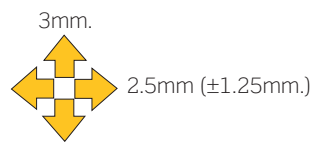
Each reference consists of 1 set of steel front adaptor, 1 set of runners and 1 set of drawer sides.
Minimum order: 100 sets per reference.



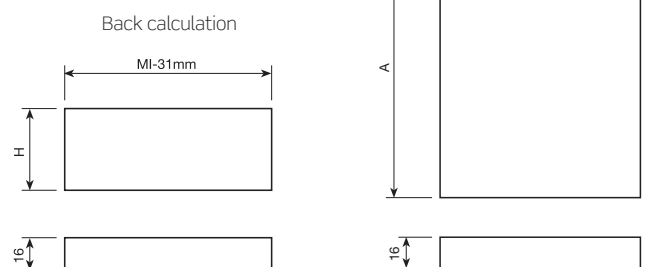
SUPRA-150.

Module	White RAL 9001	
270	652.227.004	10
400	652.240.002	
450	652.245.005	
500	652.250.001	

Each reference consists of 1 set of steel front adaptor, 1 set of runners and 1 set of drawer sides.
Minimum order: 100 sets per reference.



	SUPRA 86	SUPRA 118	SUPRA 150
A	L-2	L-2	L-2
B	8	40	72
C	8.5	8.5	8.5
H	68	100	132



2 SUPRA INDAmatic

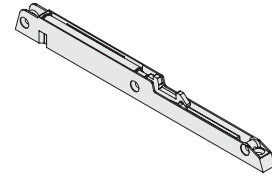
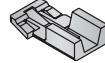
SUPRA INDAmatic

INDAmatic set for SUPRA drawer

White	RAL 9001	194.700.004	50
Grey	RAL 7040	194.700.310	

Each reference consists of one soft-close device and one fixing bracket. Each drawer may optionally bear 1 or 2 INDAmatic closing systems.

Fixing bracket

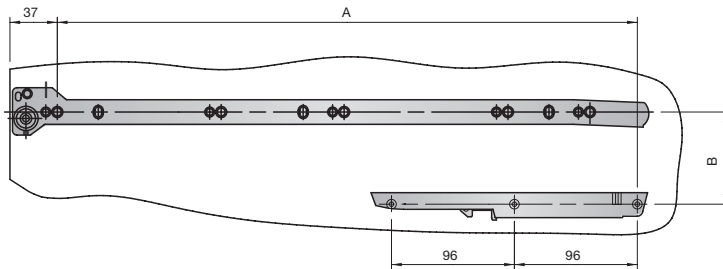


INDAmatic closing system

INDAmatic assembly for SUPRA



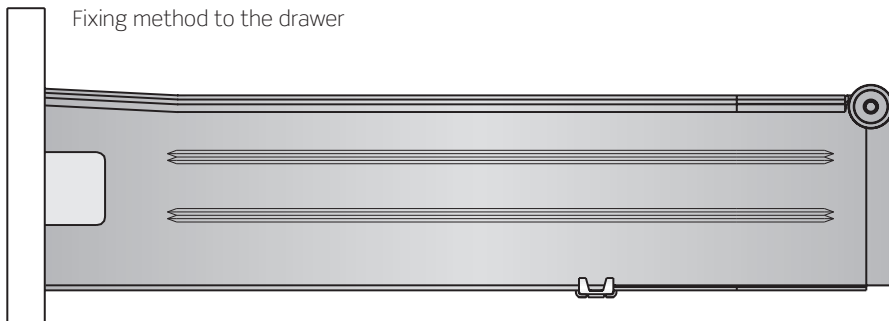
Fixing method to the side panel



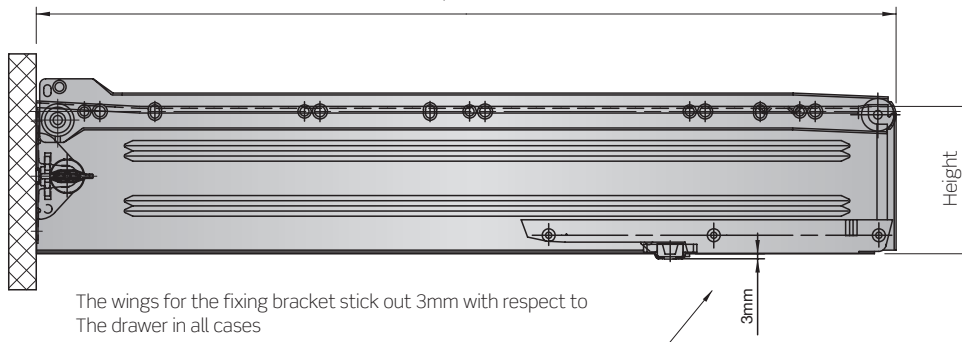
Drawer Length	A
270	223
350	303
400	353
450	403
500	453
550	503

Drawer Height	B
54	40
86	72
118	104
150	136
214	200

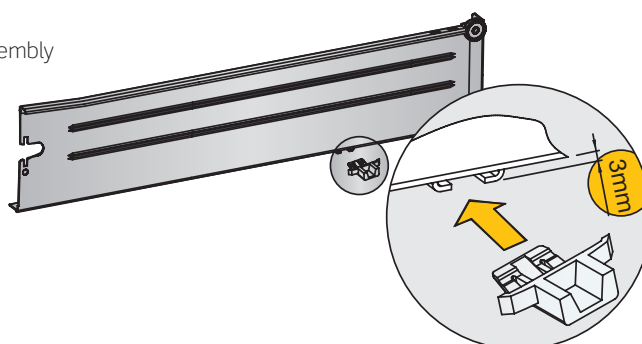
Fixing method to the drawer



Drawer depth



Fixing bracket assembly

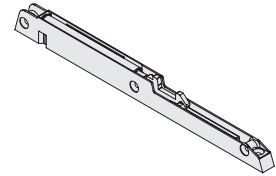


■ SUPRA INDAmatic INDEPENDENT

INDAmatic set for SUPRA drawers

White	RAL 9001	194.800.001	50
Grey	RAL 7040	194.800.314	

Fixing bracket



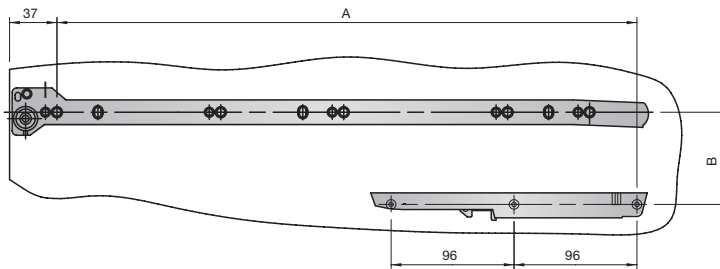
INDAmatic closing system

Each reference consists of one soft-close device and one fixing bracket.

■ INDAmatic INDEPENDENT assembly for SUPRA

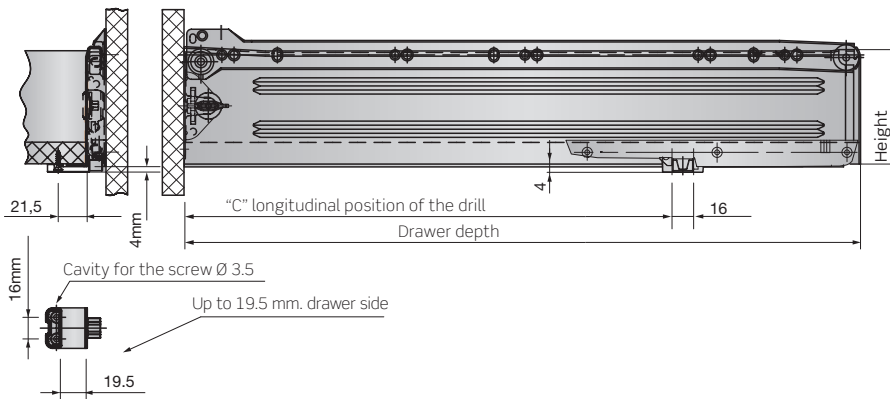
INDAmatic

Fixing method to the side panel



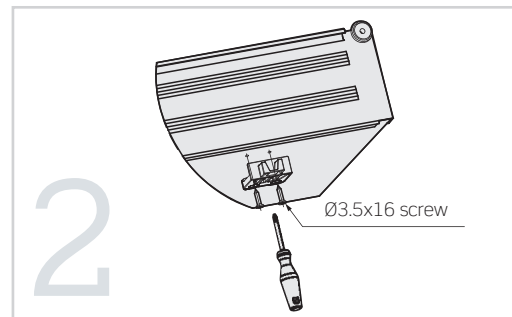
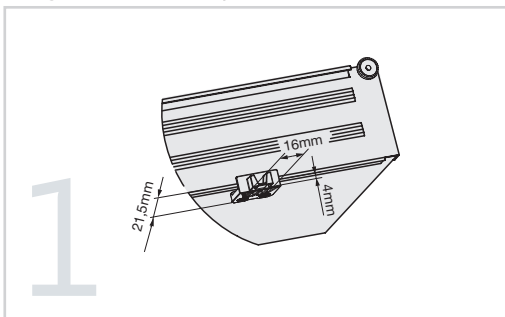
Drawer Length	A	C
270	223	130.5
350	303	210.5
400	353	260.5
450	403	310.5
500	453	360.5
550	503	410.5

Fixing method to the drawer



Drawer Height	B
54	40
86	72
118	104
150	136
214	200

Fixing bracket assembly



Mark the centres of the indicated measurements. It is recommended to mark and drill side holes with a Ø1.5 bit.

Support the fixing bracket and screw it on with the Ø3.5x16 screws.

Set of front adaptors with marking tips.

	752.350.104	50
--	-------------	----



