

OFFIBOX

Metallic office drawer

Metallic office drawer available in 4 modules and 3 depths.
4 Different compatible runners.





Metallic office drawer

A full range.

4 drawer modules and 3 depths.

4 different compatible runners.

Adjustable filing cabinet system for all paper formats.



90% height saving. Stockable optimize transport and warehousing. about 450 drawers per pallet.



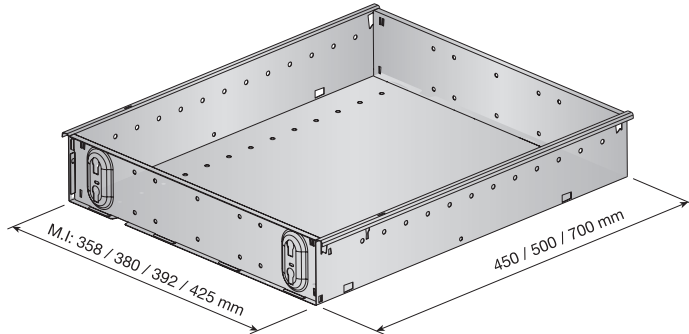
Central locking: simple, anti-tilt and double safe.



One-hand front hooking device approx. 2mm height adjustment by cam.

1 COMPONENTS

Drawers



4 modules and 3 depths

M.I Drawer = 358mm.

Depth	Screw mounting		Expand mounting		
	Grey RAL 7040	Black RAL 9011	Grey RAL 7040	Black RAL 9011	
450	650.045.314	650.045.023	651.045.312	651.045.021	450
500	650.050.310	650.050.026	651.050.315	651.050.024	450
700	650.070.315	650.070.024	651.070.313	651.070.022	350

Each ref. includes A, B and C components.

M.I Drawer = 380mm.

Depth	Screw mounting		Expand mounting		
	Grey RAL 7040	Black RAL 9011	Grey RAL 7040	Black RAL 9011	
450	650.145.311	650.145.020	651.145.316	651.145.025	450
500	650.150.314	650.150.023	651.150.312	651.150.021	450
700	650.170.312	650.170.021	651.170.310	651.170.026	350

Each ref. includes A, B and C components.

M.I Drawer = 392mm.

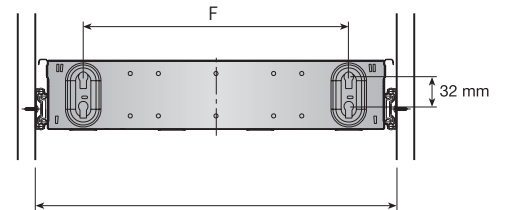
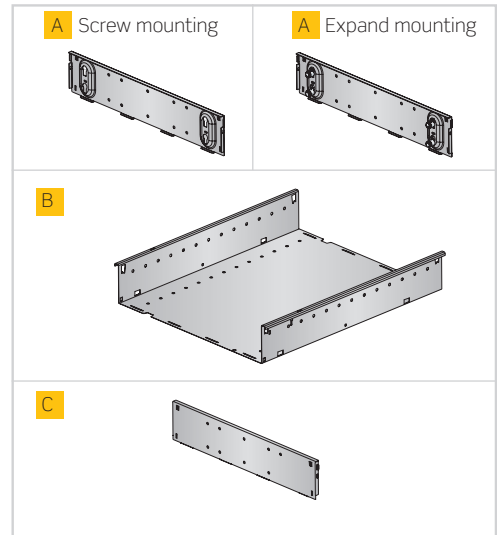
Depth	Screw mounting		Expand mounting		
	Grey RAL 7040	Black RAL 9011	Grey RAL 7040	Black RAL 9011	
450	650.245.315	650.245.024	651.245.313	651.245.022	450
500	650.250.311	650.250.020	651.250.316	651.250.025	450
700	650.270.316	650.270.025	651.270.314	651.270.023	350

Each ref. includes A, B and C components.

M.I Drawer = 425mm.

Depth	Screw mounting		Expand mounting		
	Grey RAL 7040	Black RAL 9011	Grey RAL 7040	Black RAL 9011	
450	650.345.312	650.345.021	651.345.310	651.345.026	450
500	650.350.315	650.350.024	651.350.313	651.350.022	450
700	650.370.313	650.370.022	651.370.311	651.370.020	350

Each ref. includes A, B and C components.



M.I = inner measurements
358 - 380 - 392 - 425mm

M.I	F
358	253
380	275
392	287
425	320

Runners: 4 compatible runners

Ball bearing runner CISNE-27.

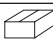
L	Ps	Zinc-plated	
450	83	778.345.751	50
500	83	778.350.753	

1 set per reference.

Fixing bolt for CISNE-27.

	Zinc-plated	
M4x7	730.507.035	1000

GACELA runner.


L	Ps	Grey RAL 7040	Black RAL 9011	
450	95	756.345.310	756.345.026	100
500	104	756.350.313	756.350.022	100
700	140	756.370.311	756.370.020	50

1 set per reference.

Euro-Screw for roller runners.


	Ø7	Ø7.75	
Niquel plated	952.810.062	953.610.066	5000

Ball bearing runners single extension CISNE-35.

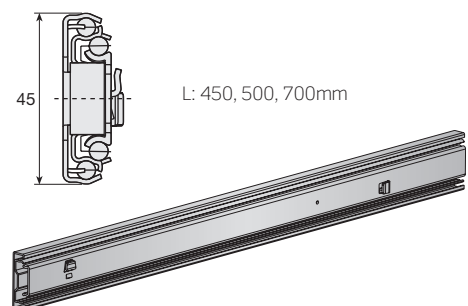
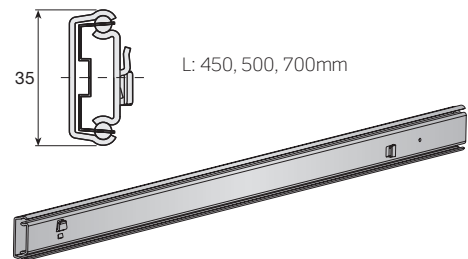
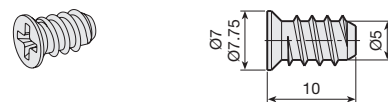
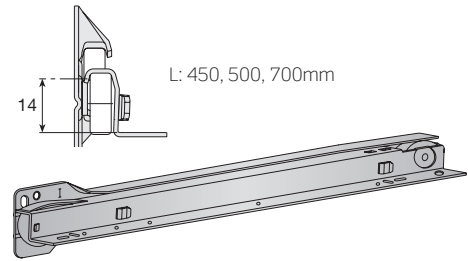
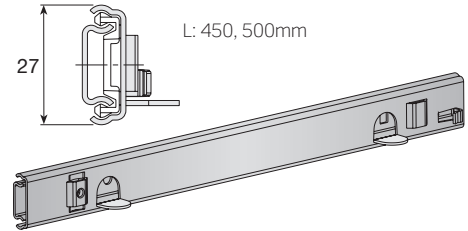
L	Ps	Zinc-plated	
450	105	778.445.754	20
500	125	778.450.750	
700	175	778.470.755	

1 set of runners per reference.
Separately packed in 20 units boxes.

Ball bearing runners full extension CISNE-45.


L	Zinc-plated	
450	778.745.752	10
500	778.750.755	
700	778.770.753	

1 set of runners per reference.
Separately packed in 10 units boxes.

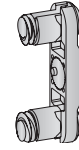


Expand front hooking

Expand front hooking.

	Grey RAL 7040	Black RAL 9011	
1 set	679.700.313	679.700.022	400

2 hooks per set.



Front fixing screws.

	Screw Ø4.5x15	Euro-screw Ø6	
Zinc-plated	955.515.035	955.313.030	1.000

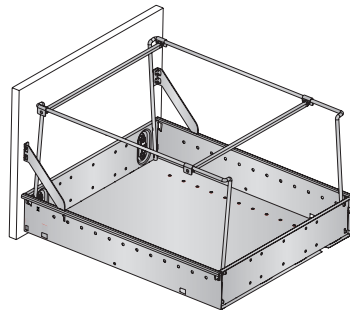
2 hooks per set.



Ø4.5x15

Euro-screw Ø6

2 ACCESSORIES

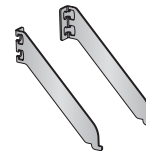


For filing cabinet


Front bracket.

	Grey RAL 7040	Black RAL 9011	
1 set	736.500.310	736.500.026	100

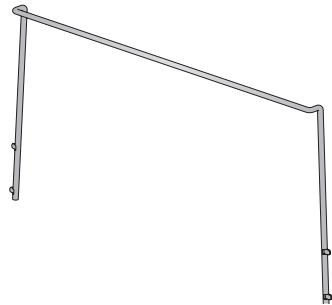
Each ref. has 2 brackets.




Folder rails.

Drawer depth	Grey RAL 7040	Black RAL 9011	
450	733.345.314	733.345.023	25
500	733.350.310	733.350.026	
700	733.370.315	733.370.024	

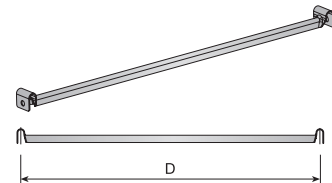
Each ref. has 2 folder rails.



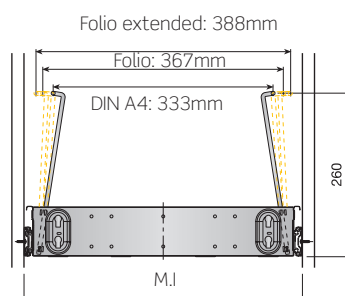
Cross rails.

D: Folder sizes mm.	Grey RAL 7040	Black RAL 9011	
333	733.433.315	733.433.024	25
367	733.436.314	733.436.023	
388	733.438.311	733.438.020	

Each ref. has 2 cross rails.




M.I	D
358	333
380	333
392	333-367
425	333-367-388



Pen tray

Pen tray.

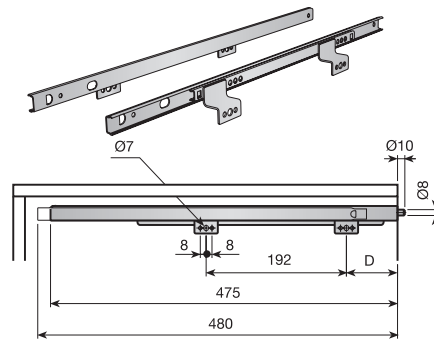
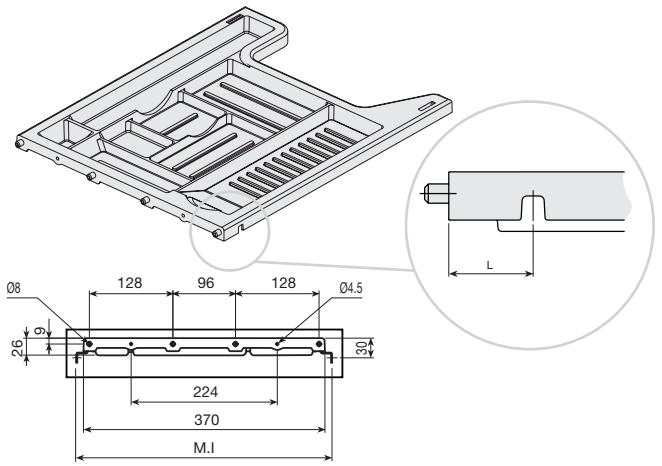
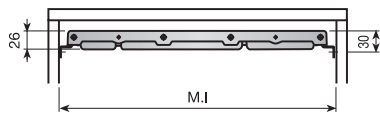
L	Grey RAL 7040	Black RAL 9011	
21	662.821.316	662.821.025	25
35	662.800.316	662.800.025	
53	662.853.310		

For drawer depth 500.

Pen tray runners.


Inner measurement	L	D	Zinc-plated	
380	21-35	70	779.380.755	25
392	21-35	70	779.392.751	
425	21-35	70	779.425.754	
392	53	102	784.392.755	

1 set per reference.




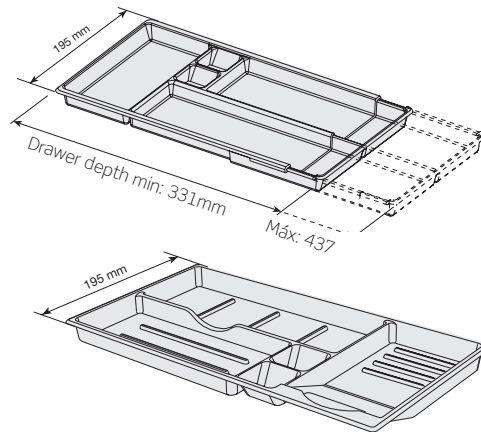
Interior tray

Adjustable interior tray.

	Grey RAL 7040	Black RAL 9011	
1 Unit.	735.900.314	735.900.023	25

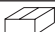
Interior tray.

Inner measurement	Grey RAL 7040	Black RAL 9005	
380	735.380.310	735.380.026	25
392	735.392.313	735.392.022	
425	735.425.316	735.425.025	




Divider

Divider.

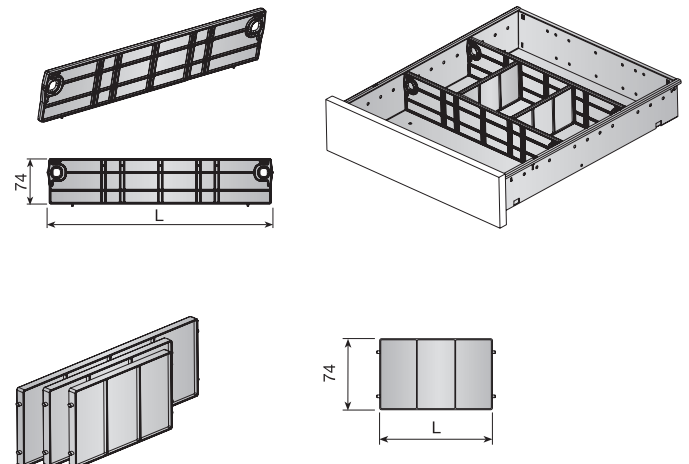
M.I.	L	Grey RAL 7040	Black RAL 9011	
358	330	734.933.312	734.933.021	100
380	352	734.935.316	734.935.025	
392	364	734.936.311	734.936.020	
425	397	734.939.310	734.939.026	

1 piece per reference.

Cross divider

L	Grey RAL 7040	Black RAL 9011	
120	734.812.315	734.812.024	200
149	734.814.312	734.814.021	
212	734.821.312	734.821.021	

1 piece per reference.



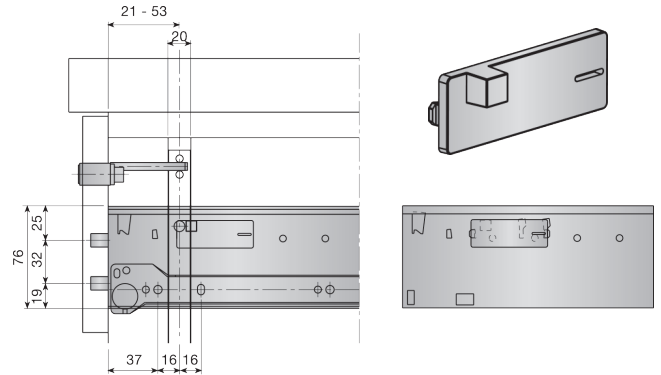
Central locking system

Simple central locking system.

	Grey RAL 7040	Black RAL 9011	
Simple	662.925.314	662.925.023	1000

Check compatibility with the different lock systems on the market.

* The drawer has 3 sets of drills, for steel bars located at 21mm., 35mm., 53mm. On the front.

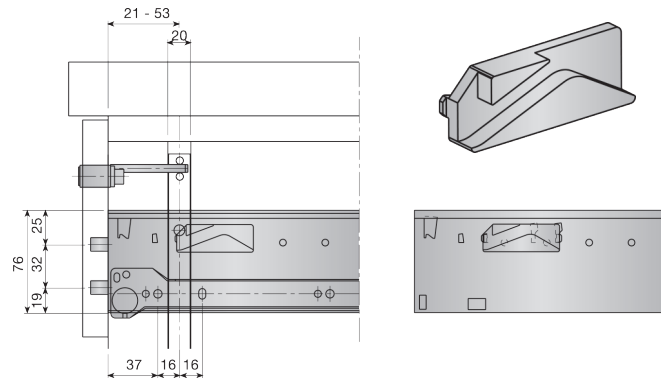


Simple anti-tilt central locking system.

	Grey RAL 7040	Black RAL 9011	
Simple anti-tilt	662.900.313	662.900.022	1000

Check compatibility with the different lock systems on the market.

* The drawer has 3 sets of drills, for steel bars located at 21mm., 35mm., 53mm. On the front.

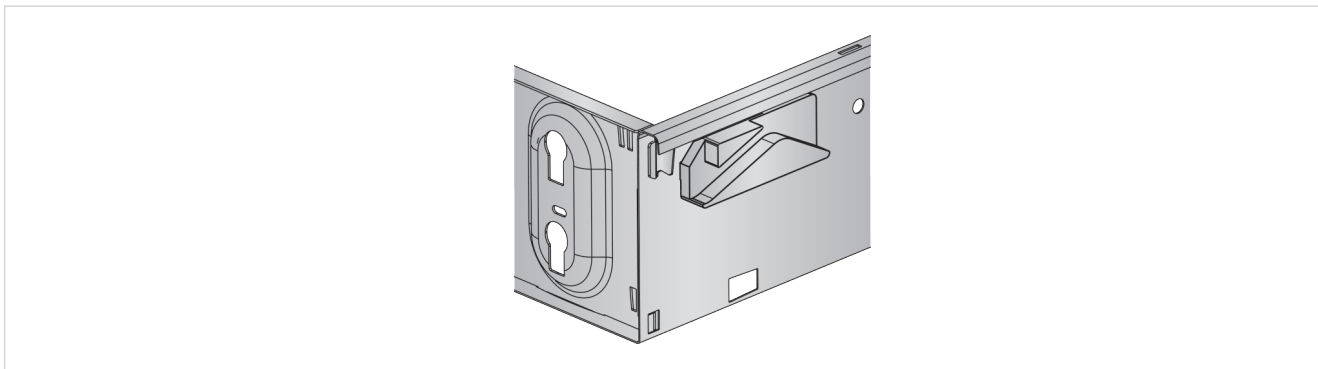
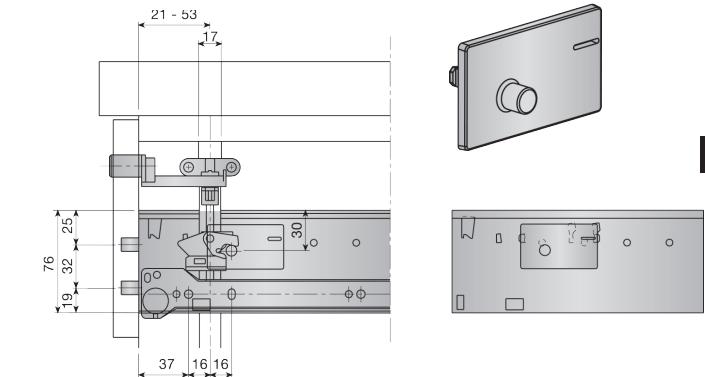


Double-safe anti-tilt central locking system.

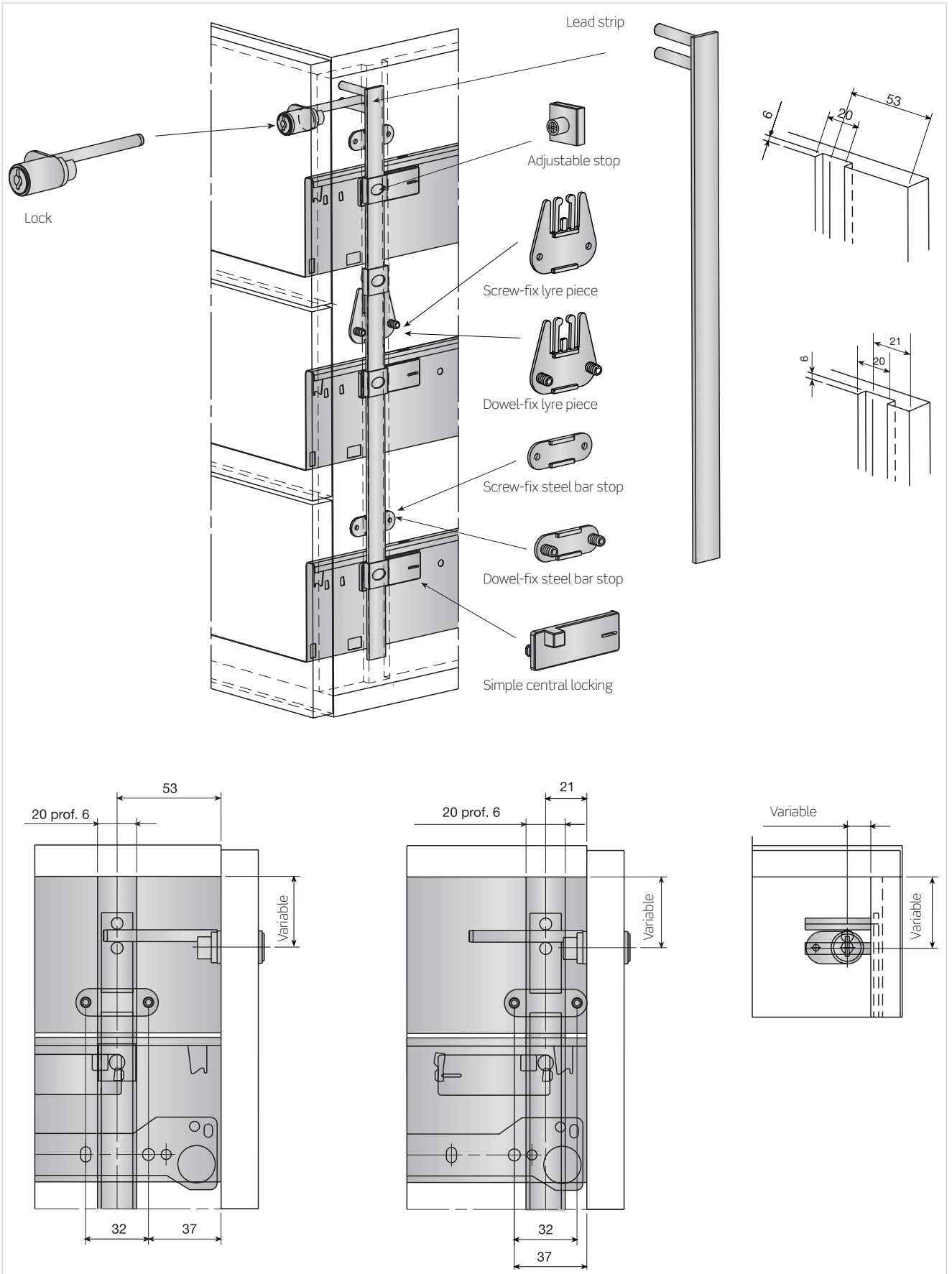
	Grey RAL 7040	Black RAL 9011	
Fail-safe anti-tilt	662.950.315	662.950.024	1000

Check compatibility with the different lock systems on the market.

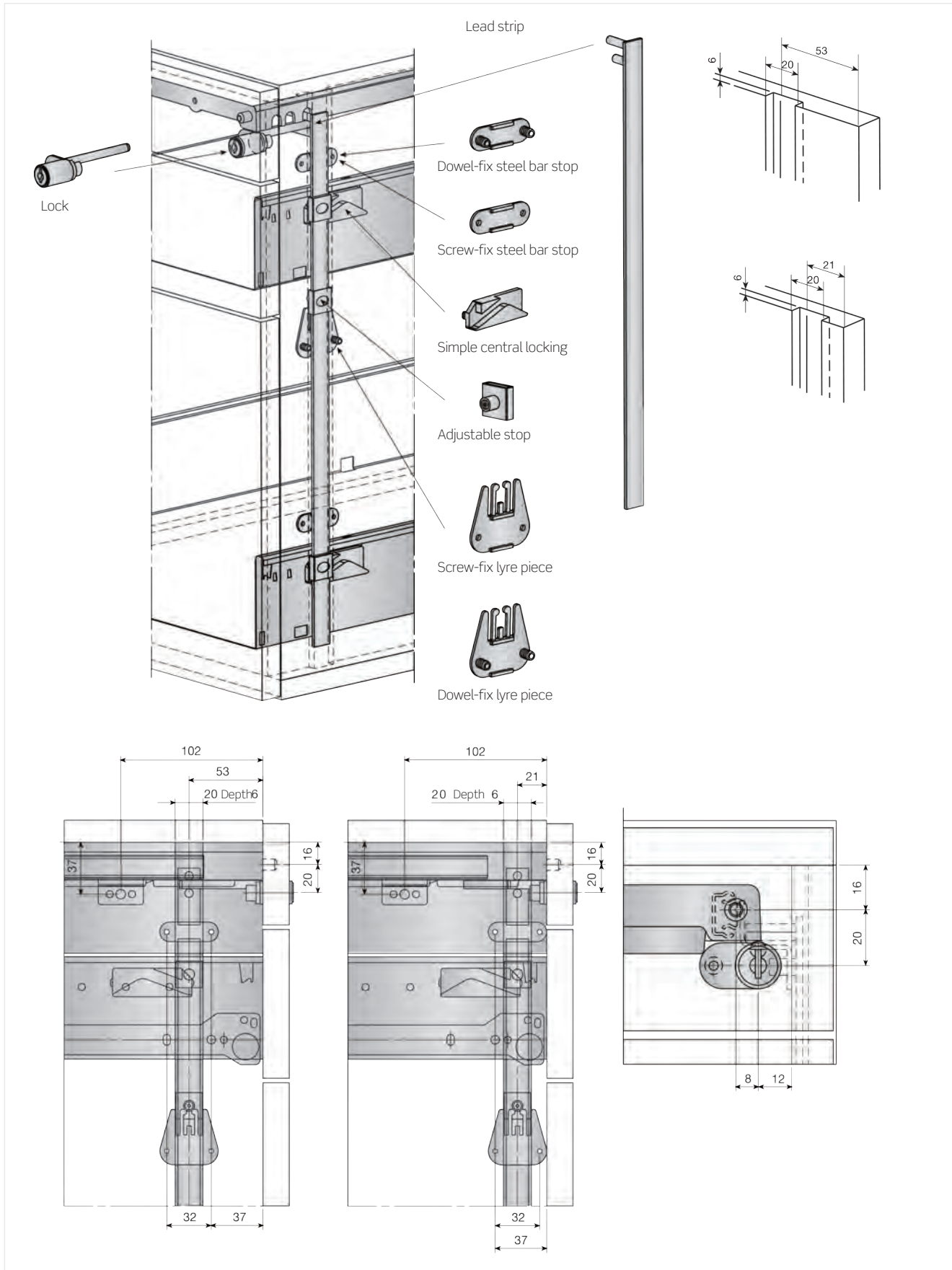
* The drawer has 3 sets of drills, for steel bars located at 21mm., 35mm., 53mm. On the front.



Simple central locking system

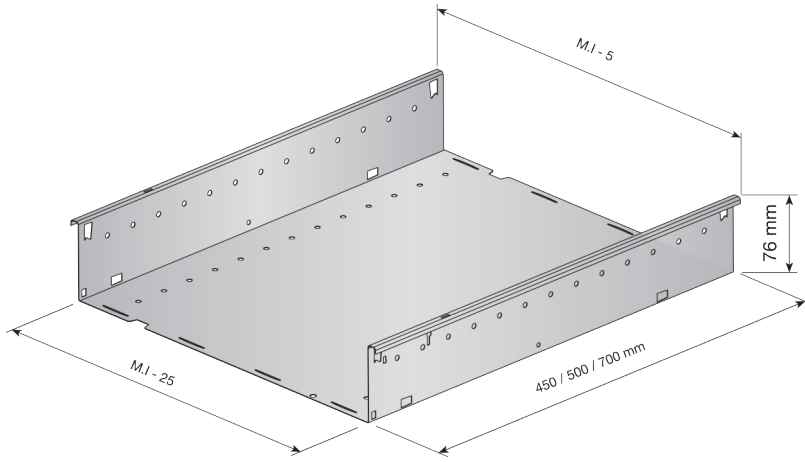


■ Central locking system with anti-tilt

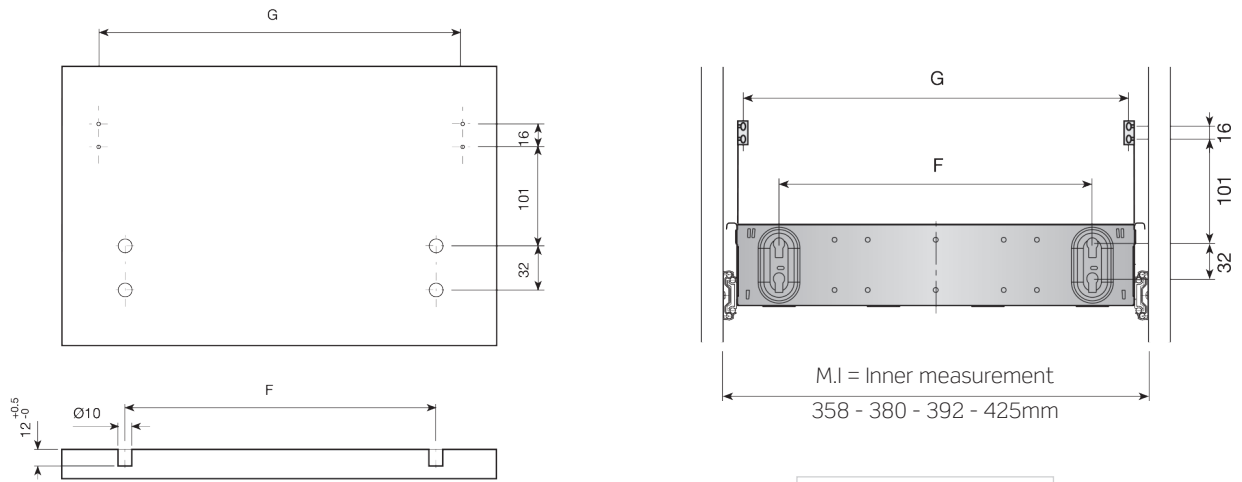


3 TECHNICAL DATA

Overall drawer dimensions



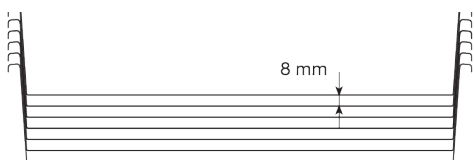
Front drilling pattern



M.I = Inner measurement
358 - 380 - 392 - 425mm

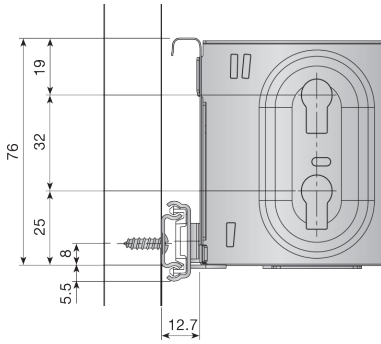
M.I	F	G
358	253	323
380	275	345
392	287	357
425	320	390

Drawer stacking

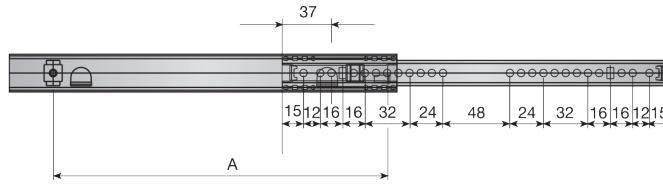


90% space saving

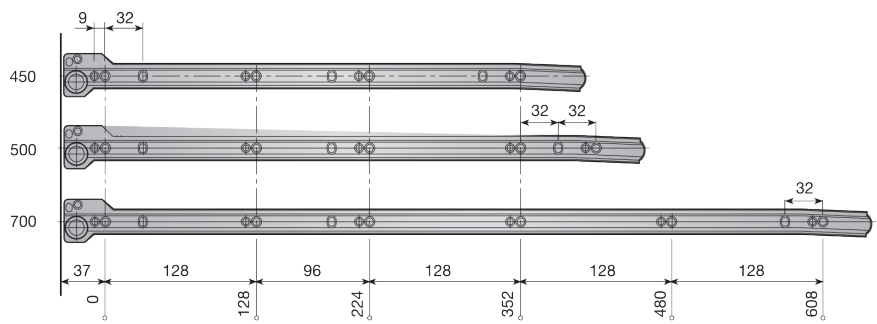
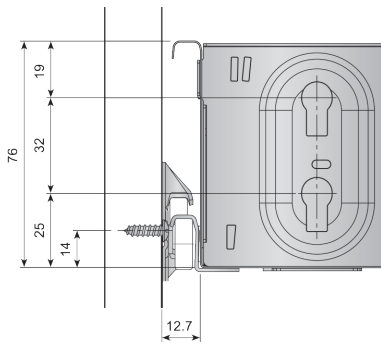
CISNE-27 drilling pattern



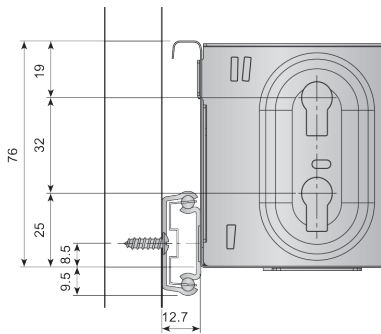
L	A
450	240.5
500	259



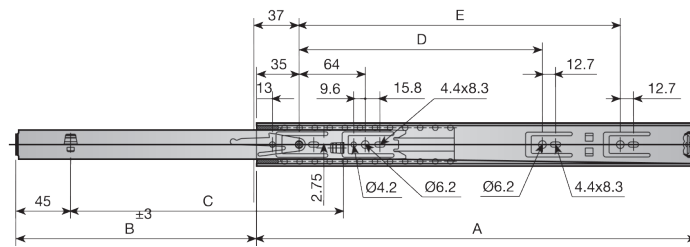
GACELA drilling pattern



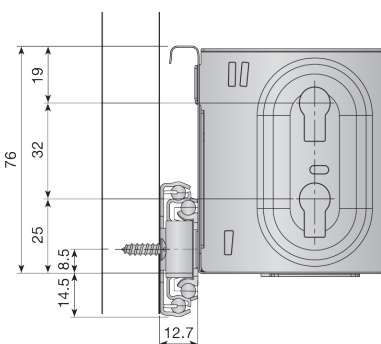
CISNE-35 drilling pattern



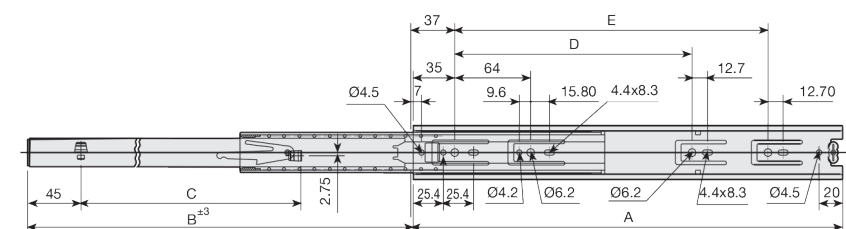
L	A	B	C	D	E
450	450	338	298	288	352
500	500	375	361	288	416
700	700	525	550	352	576



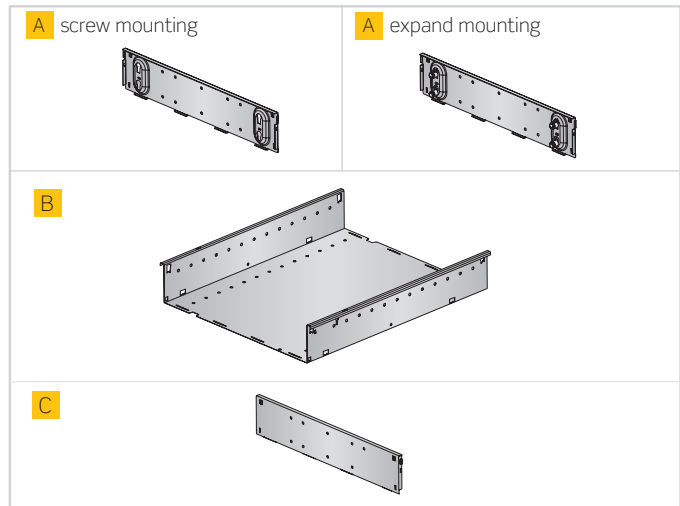
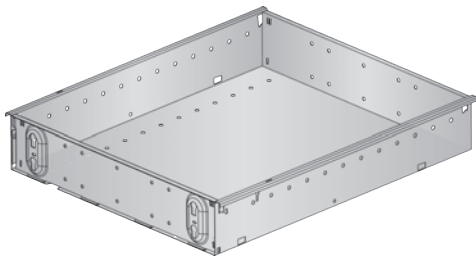
CISNE-45 drilling pattern



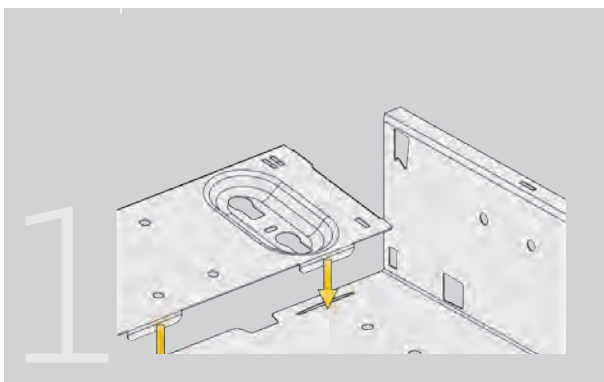
L	A	B	C	D	E
450	450	452	298	288	352
500	500	515	361	288	416
700	700	705	550	352	576



4 DRAWER ASSEMBLY

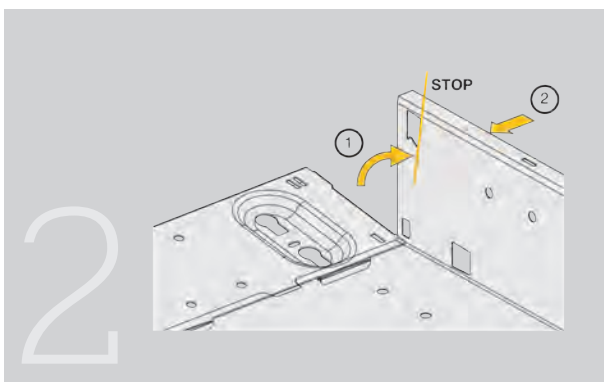


Drawer assembly

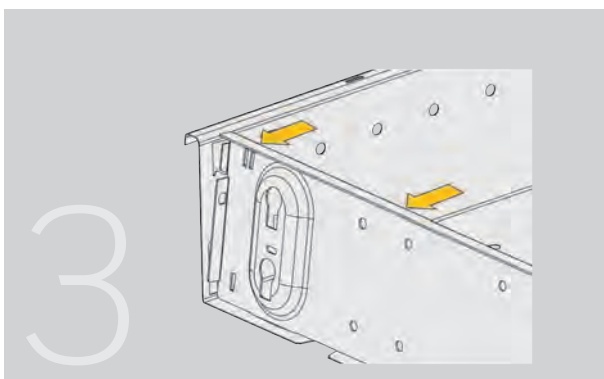


Quick and easy manual assembly.
Insert "A" drawer front tabs into the drawer cavities.

Notice:
It is not possible to mount "A" front into the "B" back or viceversa, since tabs differ.



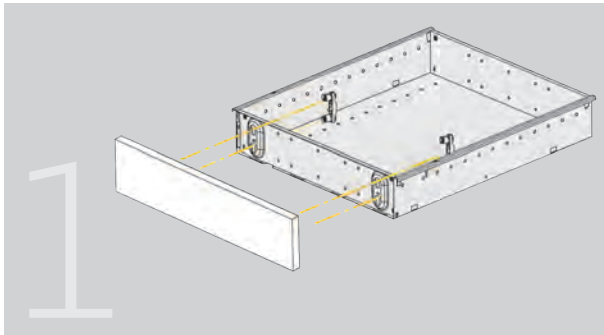
Turn the "A" front upwards until reaching to the end stop position beyond the upwards position.



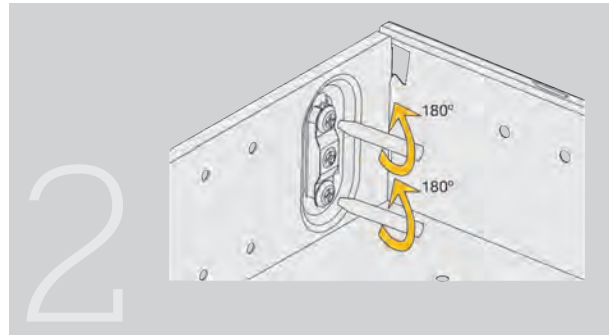
Return until clipping

"C" back to be assembled in the same way

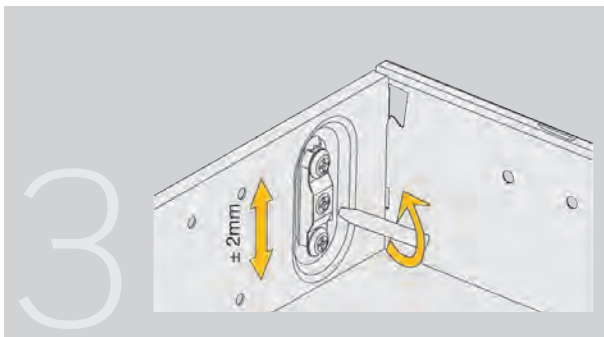
Front drawer assembly



Insert the hooks on the drawer, lower them slightly and place the drawer front.

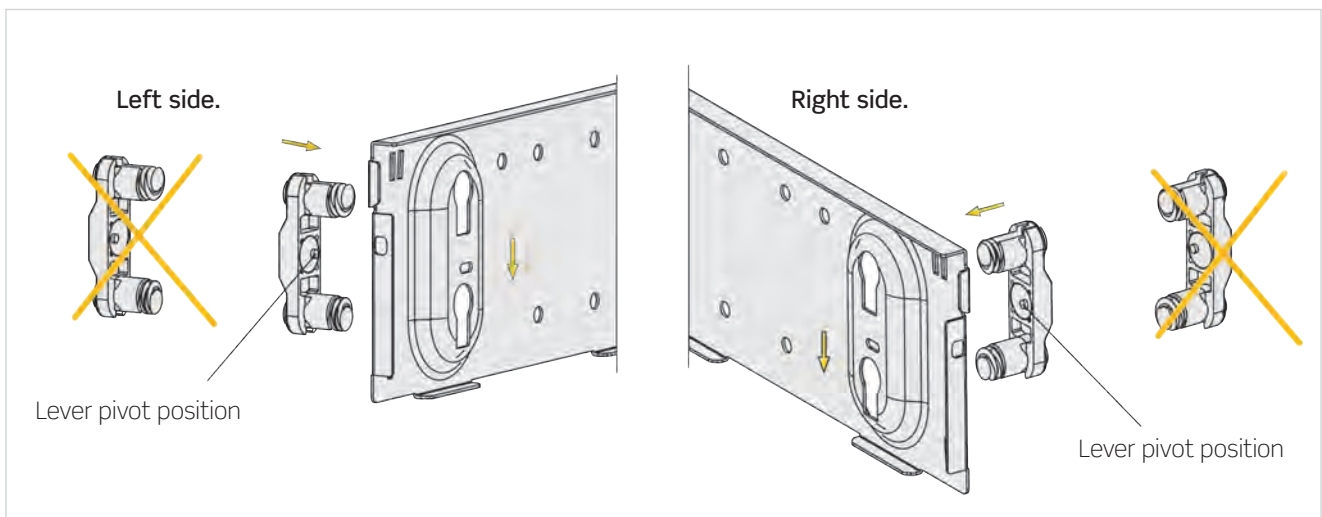


Turn the screws 180°, and the front will stay in place.

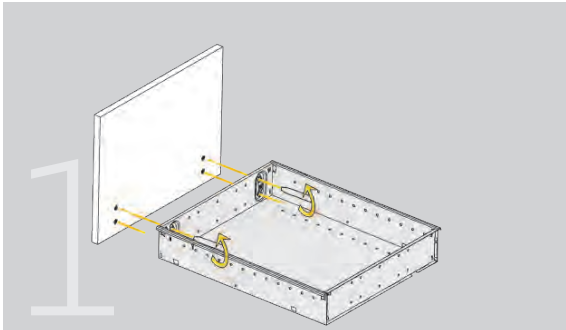


Height adjustment by cam approx. 2mm. Lateral adjustment by pressing approx 1mm (first loosen the screws).

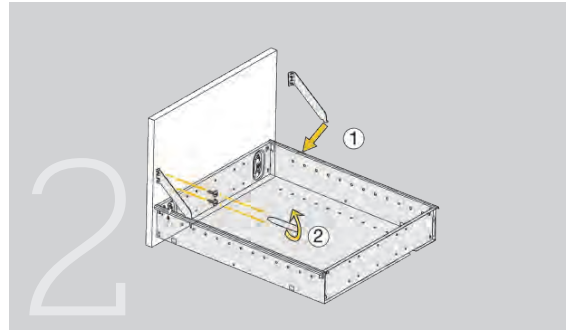
How to assemble the hook on the front of the drawer:



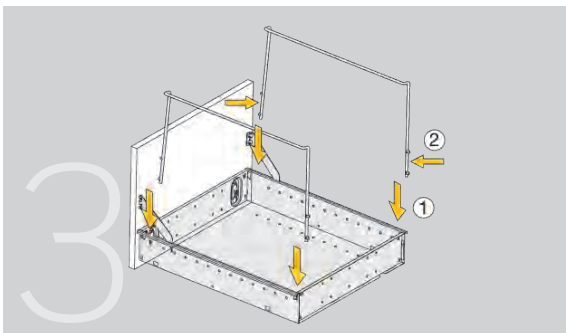
Filing cabinet assembly



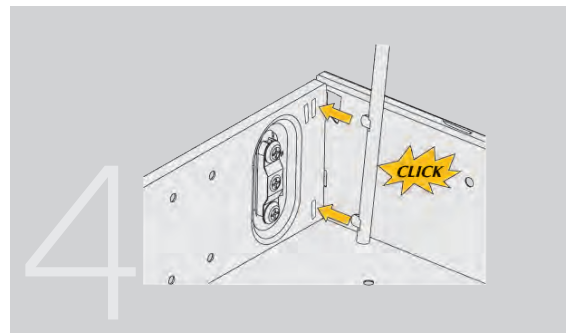
Insert the hooks on the drawer, lower them slightly and place the drawer front.



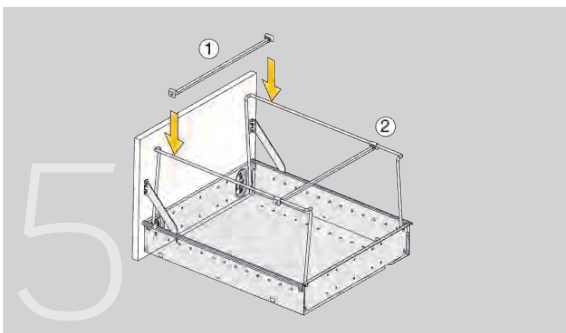
Clip on the lower part of the front bracket into the drawer side and mark the screws positions in the external front drawer. Then screw on the brackets.



Align the folder rail with the drawer. Slightly press the rail inwards to connect the drawer.

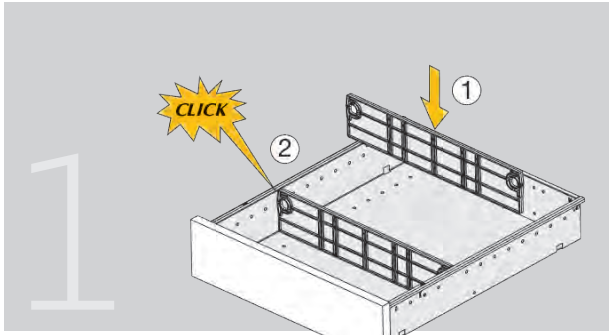


Insert the two notches of the folder rail into the cavities on the drawer. Depending on the type of folder, the notches will be placed in one cavity or the other.

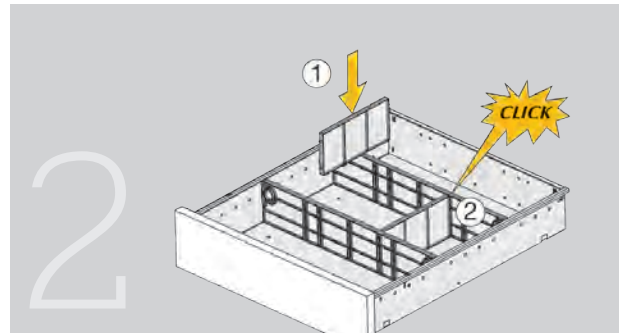


Depending on the type of folder, a cross rail will also be placed. Just press gently so that the cross rail fits perfectly into the slot.

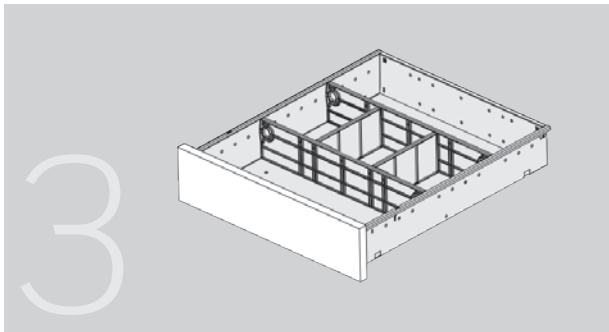
■ Dividers assembly



Place the cross divider, positioning the pivots on the lateral holes and the bottom of the drawer, the lateral pivots will bend inwards when pressed slightly.



Place the longitudinal divider in line with the cross divider channels.



Depending on the documents to be filed, the most suitable divider will be chosen.

