

Under-oven drawers

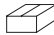
1 DRAWERS

This drawer has been designed for making the most of the free space under the oven and behind the plinth. For 600mm, thickness between 16mm and 19mm. module and with three adjustments.




INDA-matic

KIT-5 Under-oven drawer with INDAmatic.

Module (mm)	Leg mm	Grey RAL 7040	White RAL 9001	Anthracite	
600	100-140	681.760.310	681.760.004	681.760.833	1
600	140-220	681.765.313	681.765.000	681.765.836	

Reference consists of 5 drawers, with their corresponding runners, front fixing brackets, and the bag containing 4 bases and 4 legs.

Mat for UNDER-OVEN drawer.

Module (mm)	Grey RAL 7037	
600	443.260.300	20



Assembly instructions

1 * Place front legs at 104mm from the front edge of the furniture (See TECHNICAL DATA)

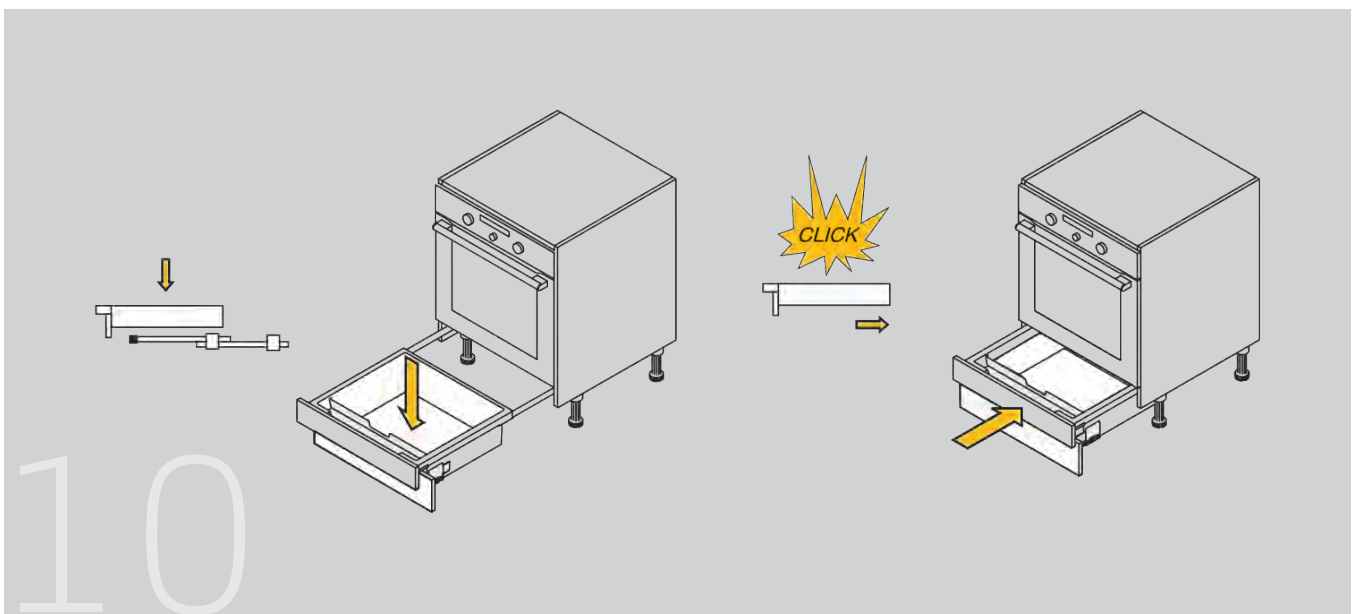
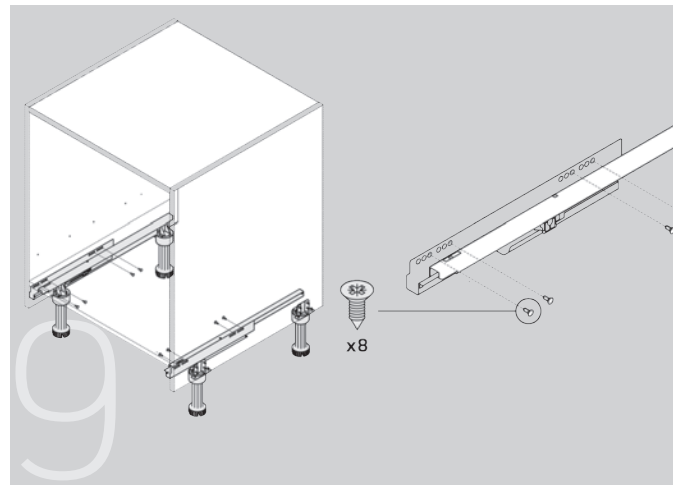
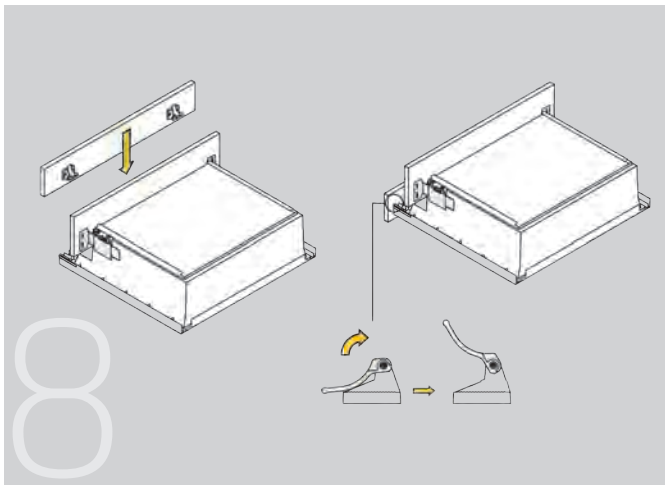
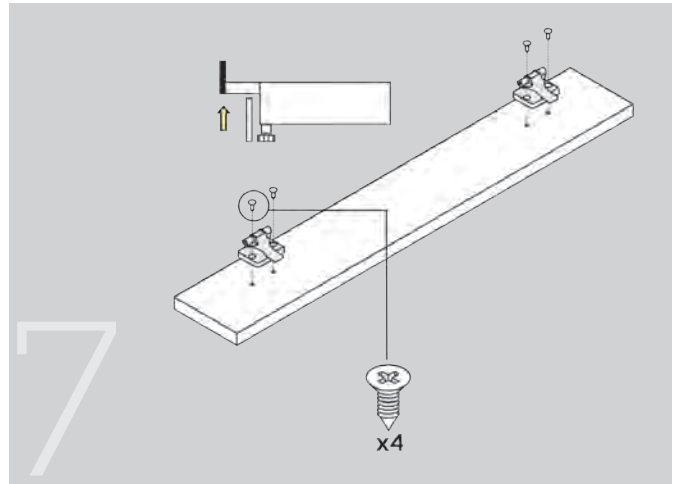
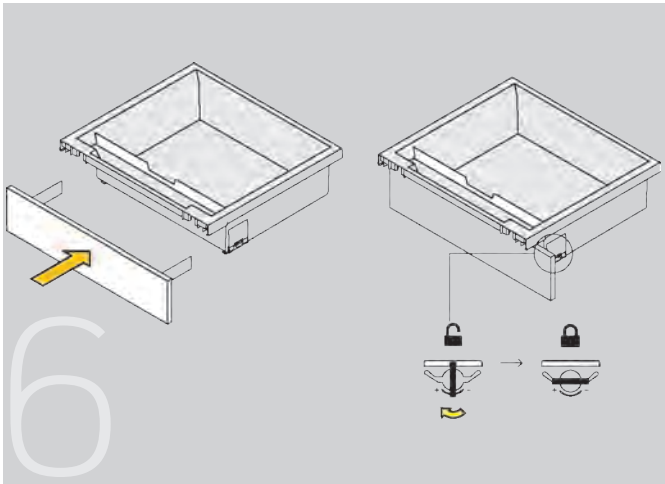
2

3 NOTE: Turn the leg to adjust height.

4 x2

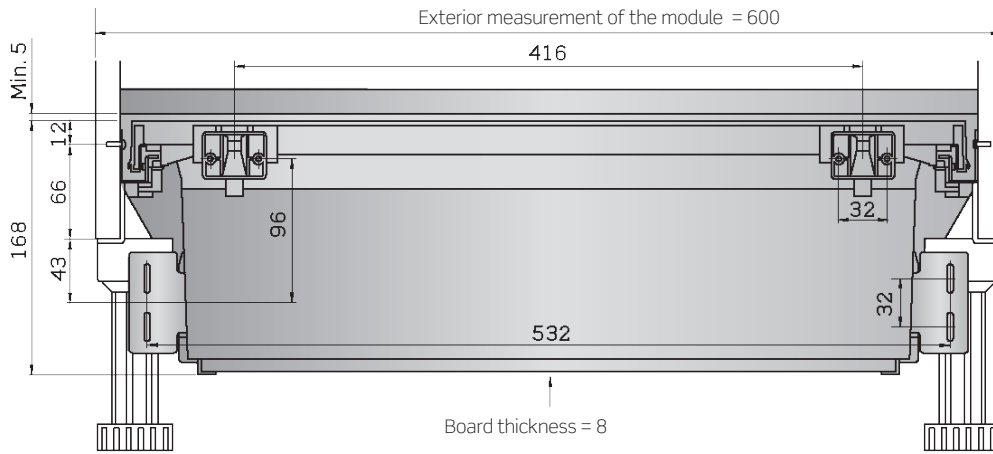
5 x4

Assembly instructions

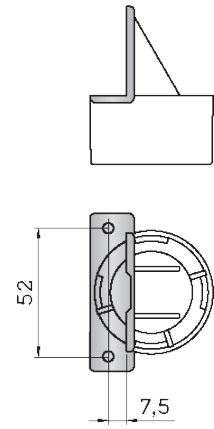


2 TECHNICAL DATA

Assembled drawer's front side



Legs' base



Assembled drawer's lateral side

