

# SUPRAPLEX SUPRAKIT

## Drawers

An entry-price to metal drawer concept with multiple possibilities and fast tool free assembly: SUPRAPLEX, a single foldable piece. SUPRAKIT, 3 pieces to be manually assembled. INDAmatic soft close option.



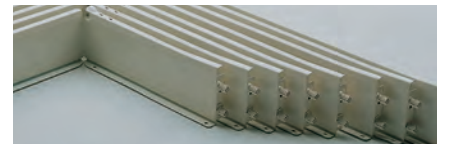
INDAmatic





# The made to measure metal drawer

The great variety of sizes currently on the market has led us to develop this highly versatile drawer, covering an immense number of possibilities in both depth, ranging from 250 to 800mm, and width, varying from 175 to 1,200mm with **SUPRAKIT**, which is supplied in 3 pieces, width sizes of even below 175mm are offered.



These 3 heights enable the different needs arising in the furniture industry to be catered for: the low 75mm drawer, the medium-sized 107mm drawer and the high 139mm drawer.







# Good Stacking

There are great savings in storage and transport, as the drawers are stackable and take up little space.







# The ideal colour

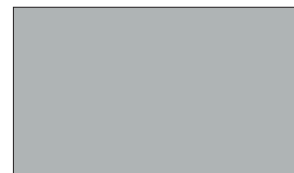
The great variety of designs and finishes means that INDAUX presents these 6 colours to meet the different trends in today's furniture. For longer runs, we can even supply any other specific colour required.



> White RAL 9001



> Black RAL 9005



> Silver grey



> White RAL 9003



> Grey RAL 7040



> OAK





# Many accessories

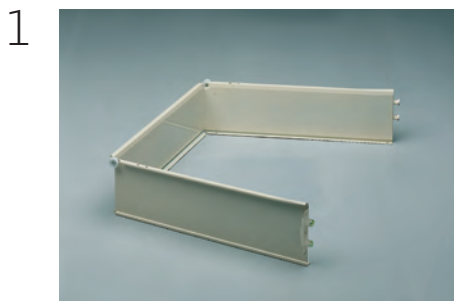
The versatility of this drawer allows its use in any kind of furniture, such as kitchen, occasional, bedroom, office.... You will always find the necessary accessories to complete your furniture. Trays, pencil holders, filing cabinet accessories, pan drawer extenders, cutlery trays... are always available.



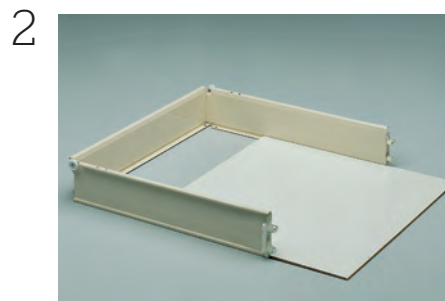
# **SUPRAPLEX / SUPRAKIT**

## Easy manual assembly

### **SUPRAPLEX**



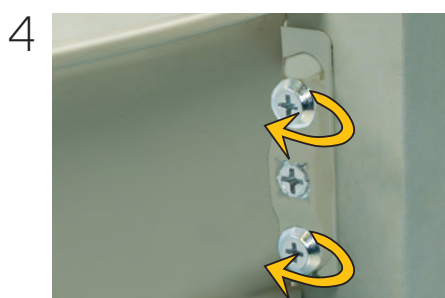
Simply fold the metal piece into a U.



Fit the base into the drawer channel.



Fit the front onto the fixing dowels.



Turn 180° and the SUPRAPLEX drawer will be assembled.



This drawer front fixing bracket will allow a vertical adjustment of +/-2mm.



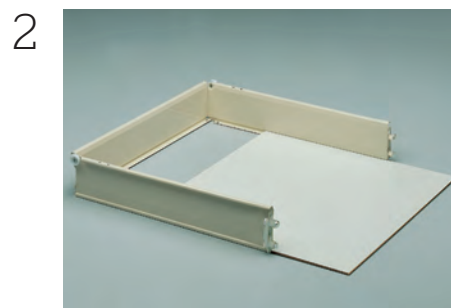


Very simple and easy to assemble, as no tools or machinery are required.

## SUPRAKIT



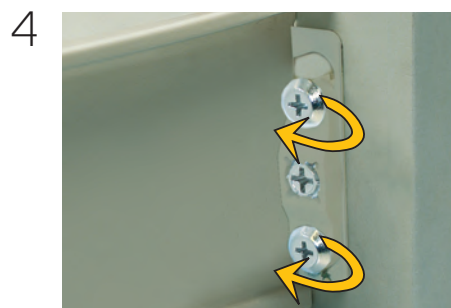
Just fit the ribs of the three pieces manually.



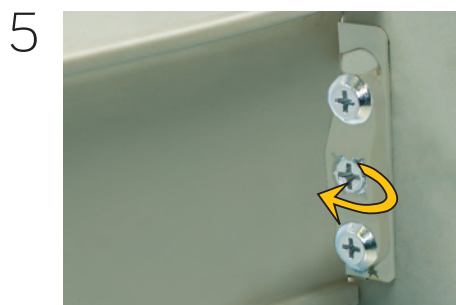
Fit the base into the drawer channel.



Fit the front onto the fixing dowels.



Turn 180° and the SUPRAKIT drawer will be assembled.



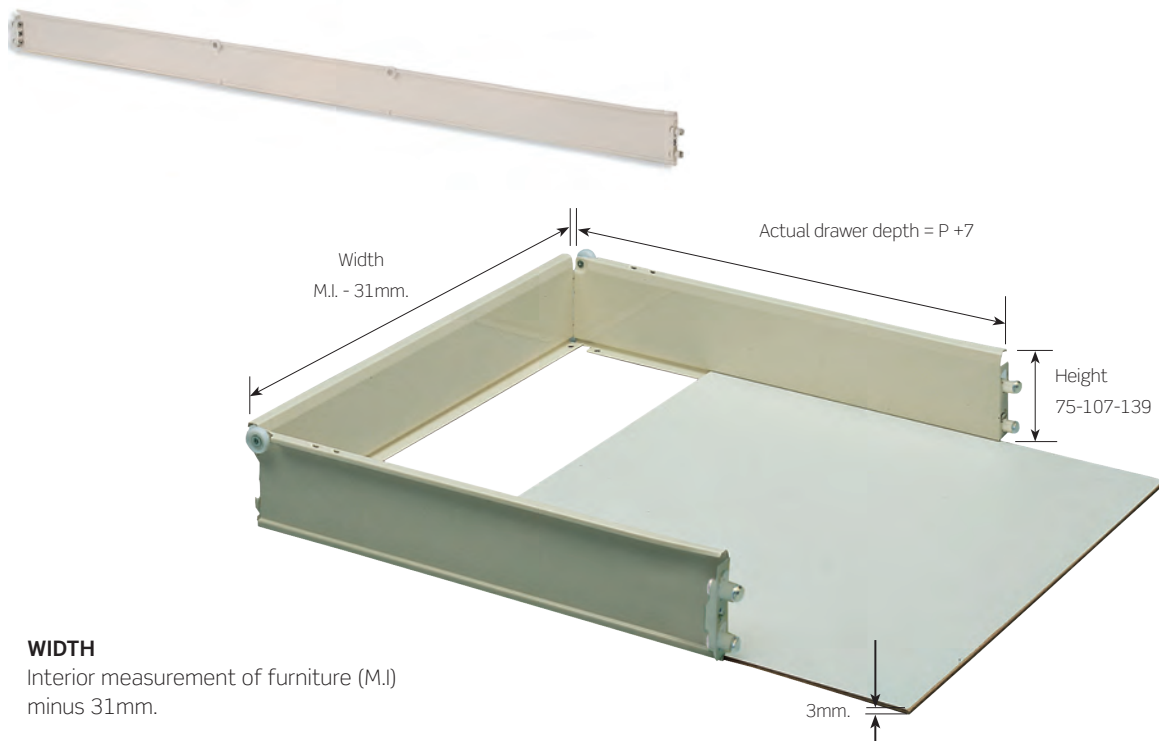
This drawer front fixing bracket will allow a vertical adjustment of +/-2mm.

1 SUPRAPLEX DRAWER

■ SUPRAPLEX: Drawers

Drawers made from painted steel and which fold manually. They are made to measure according to the client's requirements. They are easily stacked. They are also 100% recyclable.

75, 107 y 139mm. SUPRAPLEX Drawers



**WIDTH**

Interior measurement of furniture (M.I.) minus 31mm.

**ACTUAL DRAWER DEPTH**

Nominal Drawer Depth (P) + 7mm.


**SAMPLE ORDER FOR SUPRAPLEX**

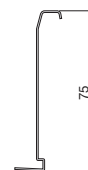
If, for example, you require 400 white drawers, 480 mm deep, 369 mm wide and 75 mm high, you should place your order in the following way:

Quantity	Reference	Width
400 supraplex drawers	665.480.001	369mm.
400 sets of runners	672.148.002	

**SUPRAPLEX: Drawers**


**SUPRAPLEX 75 drawers.**

Drawer depth	White RAL 9001	White RAL 9003	Black RAL 9005	Grey RAL 7040	Silver grey RAL 9006	Oak	
250	665.250.003	665.250.132	665.250.025	665.250.316	665.250.810	665.250.095	
270	665.270.001	665.270.130	665.270.023	665.270.314	665.270.815	665.270.093	
300	665.300.005	665.300.134	665.300.020	665.300.311	665.300.812	665.300.090	
350	665.350.000	665.350.136	665.350.022	665.350.313	665.350.814	665.350.092	
400	665.400.002	665.400.131	665.400.024	665.400.315	665.400.816	665.400.094	25
450	665.450.004	665.450.133	665.450.026	665.450.310	665.450.811	665.450.096	
480	665.480.001	665.480.130	665.480.023	665.480.314	665.480.815	665.480.093	
500	665.500.006	665.500.135	665.500.021	665.500.312	665.500.813	665.500.091	
550	665.550.001	665.550.130	665.550.023	665.550.314	665.550.815	665.550.093	



Minimum order of 200 drawers per reference. Please specify the drawer width when ordering.


**SUPRAPLEX 107 drawers.**

Drawer depth	White RAL 9001	White RAL 9003	Black RAL 9005	Grey RAL 7040	Silver grey RAL 9006	Oak	
250	666.250.001	666.250.130	666.250.023	666.250.314	666.250.815	666.250.093	
270	666.270.006	666.270.135	666.270.021	666.270.312	666.270.813	666.270.091	
300	666.300.003	666.300.132	666.300.025	666.300.316	666.300.810	666.300.095	
350	666.350.005	666.350.134	666.350.020	666.350.311	666.350.812	666.350.090	
400	666.400.000	666.400.136	666.400.022	666.400.313	666.400.814	666.400.092	25
450	666.450.002	666.450.131	666.450.024	666.450.315	666.450.816	666.450.094	
480	666.480.006	666.480.135	666.480.021	666.480.312	666.480.813	666.480.091	
500	666.500.004	666.500.133	666.500.026	666.500.310	666.500.811	666.500.096	
550	666.550.006	666.550.135	666.550.021	666.550.312	666.550.813	666.550.091	



Minimum order of 200 drawers per reference. Please specify the drawer width when ordering.

**SUPRAPLEX 139 drawers.**

drawer depth	White RAL 9001	White RAL 9003	Black RAL 9005	Grey RAL 7040	Silver grey RAL 9006	Oak	
250	667.250.006	667.250.135	667.250.021	667.250.312	667.250.813	667.250.091	
270	667.270.004	667.270.133	667.270.026	667.270.310	667.270.811	667.270.096	
300	667.300.001	667.300.130	667.300.023	667.300.314	667.300.815	667.300.093	
350	667.350.003	667.350.132	667.350.025	667.350.316	667.350.810	667.350.095	
400	667.400.005	667.400.134	667.400.020	667.400.311	667.400.812	667.400.090	25
450	667.450.000	667.450.136	667.450.022	667.450.313	667.450.814	667.450.092	
480	667.480.004	667.480.133	667.480.026	667.480.310	667.480.811	667.480.096	
500	667.500.002	667.500.131	667.500.024	667.500.315	667.500.816	667.500.094	
550	667.550.004	667.550.133	667.550.026	667.550.310	667.550.811	667.550.096	



Minimum order of 200 drawers per reference. Please specify the drawer width when ordering.


**NOTES**

When placing an order, customers should provide the measurement of the back of the drawer. In this regard it is important to bear in mind what is meant by this dimension.



■ SUPRAPLEX: Runners

GACELA Runner.


Nominal drawer depth	White RAL 9001	White RAL 9003	Black RAL 9005	Grey RAL 7040	Silver grey RAL 9006	Oak	
250	672.125.005	672.125.134	672.125.020	672.125.311	672.125.812	672.125.090	
270	672.127.002	672.127.131	672.127.024	672.127.315	672.127.816	672.127.094	
300	672.130.001	672.130.130	672.130.023	672.130.314	672.130.815	672.130.093	
350	672.135.004	672.135.133	672.135.026	672.135.310	672.135.812	672.135.096	
400	672.140.000	672.140.136	672.140.022	672.140.313	672.140.814	672.140.092	100
450	672.145.003	672.145.132	672.145.025	672.145.316	672.145.810	672.145.095	
480	672.148.002	672.148.131	672.148.024	672.148.315	672.148.816	672.148.094	
500	672.150.006	672.150.135	672.150.021	672.150.312	672.150.813	672.150.091	
550	672.155.002	672.155.131	672.155.024	672.155.315	672.155.816	672.155.094	

Minimum order of 200 sets of runners per reference.  
With these references the profiles are packed separately in two boxes containing 100 units each.

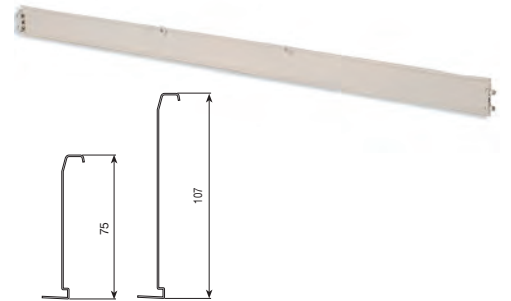


■ SUPRAPLEX: Standard kitchen drawers and runners


SUPRAPLEX 75 Kitchen drawer (Actual drawer depth = 487mm.).

Module (16 mm. side)	SUPRAPLEX 75		SUPRAPLEX 107		
	White RAL 9001	Silver grey	White RAL 9001	Silver grey	
300	672.730.004	672.730.811	672.830.001	672.830.815	
350	672.735.000	672.735.814	672.835.004	672.835.811	
400	672.740.003	672.740.810	672.840.000	672.840.814	
450	672.745.006	672.745.813	672.845.003	672.845.810	25
500	672.750.002	672.750.816	672.850.006	672.850.813	
600	672.760.001	672.760.815	672.860.005	672.860.812	

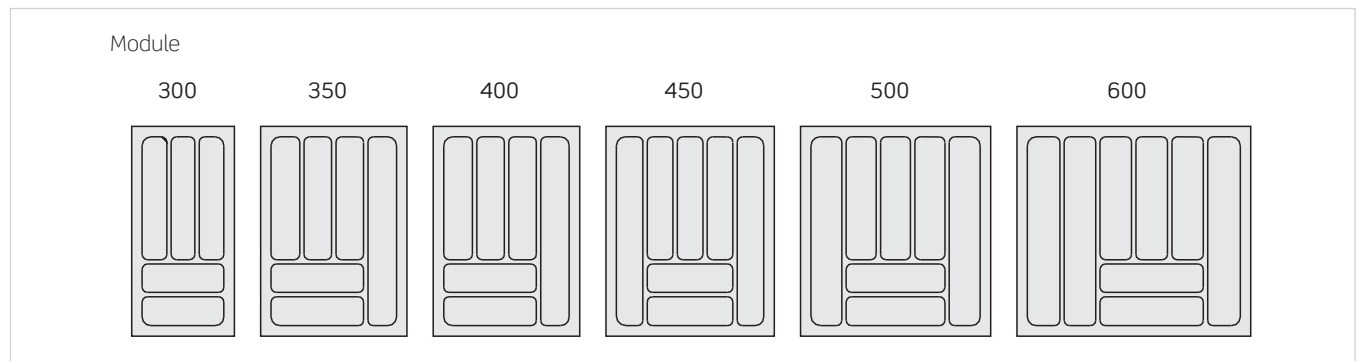
Minimum order of 200 drawers per reference. 25 drawers per box.



Cutlery tray (Actual drawer depth = 487mm.).


Module (16 mm. side)	White RAL 9001	
300	687.430.004	
350	687.435.000	
400	687.440.003	20
450	687.445.006	
500	687.450.002	
600	687.460.001	


Minimum order of 200 sets of runners per reference.



■ **SUPRAPLEX: Standard office drawers and runners**

**SUPRAPLEX 75 Office drawer (Actual drawer depth = 507mm.).**


Interior width: 392 mm	Grey RAL 7040	Black RAL 9005	
SUPRAPLEX 75	672.439.316	672.439.025	
SUPRAPLEX 107	672.539.313	672.539.022	25
SUPRAPLEX 139	672.639.310	672.639.026	

Interior width: 425mm			
SUPRAPLEX 75	672.442.315	672.442.024	
SUPRAPLEX 107	672.542.312	672.542.021	25
SUPRAPLEX 139	672.642.316	672.642.025	

Minimum order of 200 drawers per reference. 25 units. per box.



**Gacela runner, (Actual drawer depth = 507mm.).**

	Grey RAL 7040	Black RAL 9005	Silver grey	
Normal	672.150.312	672.150.021	672.150.813	

Minimum order 200 sets of runners. In these references profiles are packed separately into two cases of 100 units.



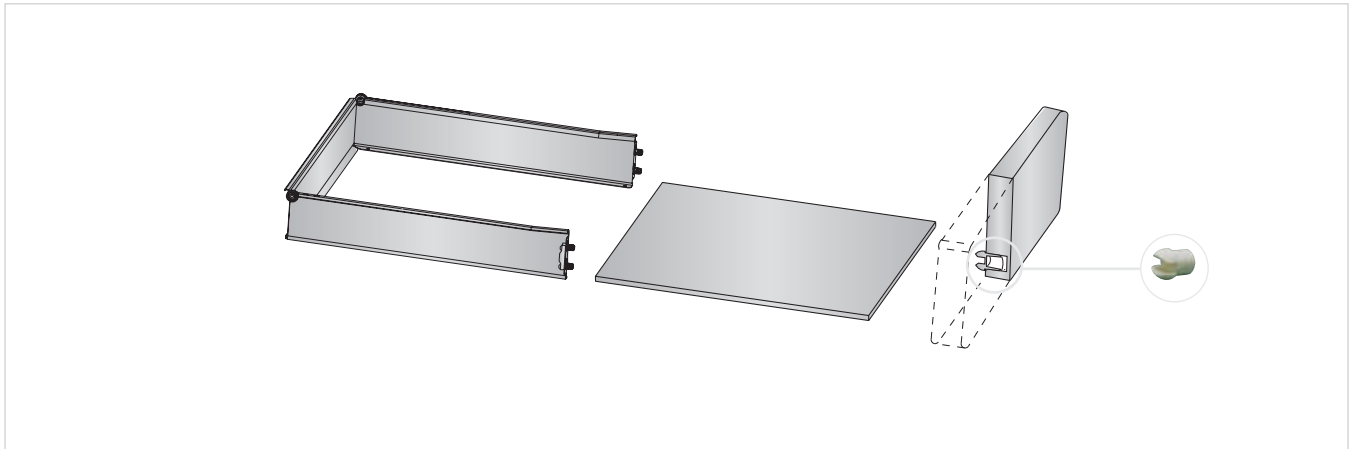
■ SUPRAPLEX: Support

Support.

10mm. Drilling diameter		
White RAL 9001	748.400.004	
White RAL 9003	748.400.133	
Black RAL 9005	748.400.026	1000
Grey RAL 7040	748.400.310	
Oak	748.400.096	



For drawer widths of more than 500mm, it is advisable to use more than one support. Delivered in boxes of 1000 units.

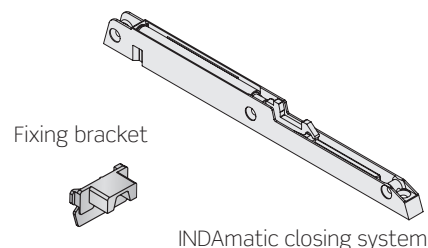




**SUPRAPLEX INDAmatic window**

**INDAmatic set for SUPRAPLEX drawer**

White	RAL 9001	197.400.000	50
White	RAL 9003	197.400.136	
Black	RAL 9005	197.400.022	
Grey	RAL 7040	197.400.313	
Oak	RAL 9005	197.400.092	



INDAmatic closing system

Each reference consists of one soft-close device and one catch.



**SUPRAPLEX 75 drawers with INDAmatic cavity.**

drawer depth	White RAL 9001	White RAL 9003	Black RAL 9005	Grey RAL 7040	Silver grey RAL 9006	Oak	
250	665.825.005	665.825.134	665.825.020	665.825.311	665.825.812	665.825.090	25
270	665.827.002	665.827.131	665.827.024	665.827.315	665.827.816	665.827.094	
300	665.830.001	665.830.130	665.830.023	665.830.314	665.830.815	665.830.093	
350	665.835.004	665.835.133	665.835.026	665.835.310	665.835.811	665.835.096	
400	665.840.000	665.840.136	665.840.022	665.840.313	665.840.814	665.840.092	
450	665.845.003	665.845.132	665.845.025	665.845.316	665.845.810	665.845.095	
480	665.848.002	665.848.131	665.848.024	665.848.315	665.848.816	665.848.094	
500	665.850.006	665.850.135	665.850.021	665.850.312	665.850.813	665.850.091	
550	665.855.002	665.855.131	665.855.024	665.855.315	665.855.816	665.855.094	



Minimum order of 200 drawers per reference. Please specify the drawer width when ordering.

**SUPRAPLEX 107 drawers with INDAmatic cavity.**

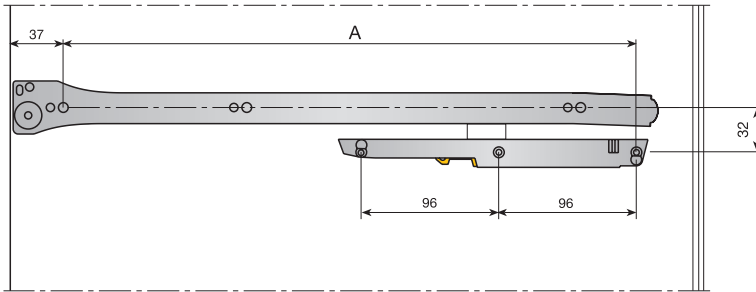
drawer depth	White RAL 9001	White RAL 9003	Black RAL 9005	Grey RAL 7040	Silver grey RAL 9006	Oak	
250	666.825.003	666.825.132	666.825.025	666.825.316	666.825.810	666.825.095	25
270	666.827.000	666.827.136	666.827.022	666.827.313	666.827.814	666.827.092	
300	666.830.006	666.830.135	666.830.021	666.830.312	666.830.813	666.830.091	
350	666.835.002	666.835.131	666.835.024	666.835.315	666.835.816	666.835.094	
400	666.840.005	666.840.134	666.840.020	666.840.311	666.840.812	666.840.090	
450	666.845.001	666.845.130	666.845.023	666.845.314	666.845.815	666.845.093	
480	666.848.000	666.848.136	666.848.022	666.848.313	666.848.814	666.848.092	
500	666.850.004	666.850.133	666.850.026	666.850.310	666.850.811	666.850.096	
550	666.855.000	666.855.136	666.855.022	666.855.313	666.855.814	666.855.092	



Minimum order of 200 drawers per reference. Please specify the drawer width when ordering.

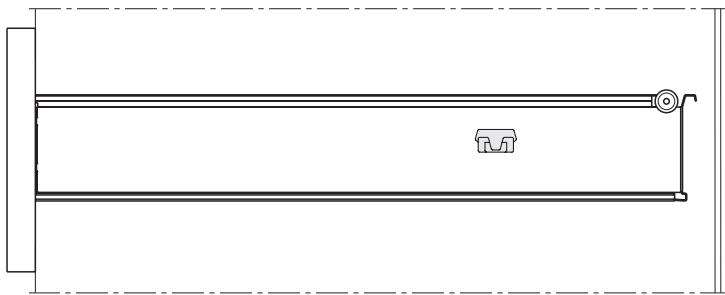
Assembly

Fixing method to the side panel

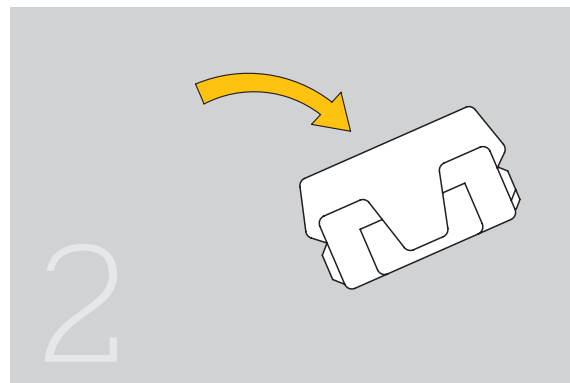
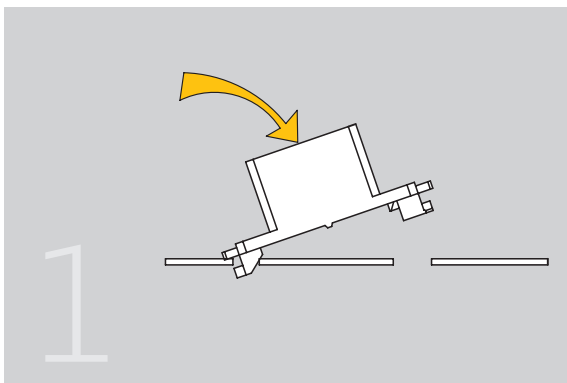


Drawer Length	A
250	203
270	223
300	253
350	303
400	353
450	403
480	433
500	453
550	503

Fixing method to the drawer



Fixing bracket assembly

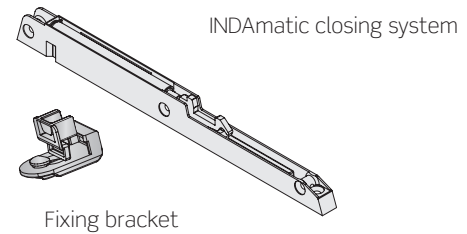


■ SUPRAPLEX INDAmatic independent

INDAmatic set for SUPRAPLEX and SUPRAKIT drawers

White	RAL 9001	198.800.000	50
White	RAL 9003	198.800.136	
Black	RAL 9005	198.800.022	
Grey	RAL 7040	198.800.313	
Oak		198.800.092	

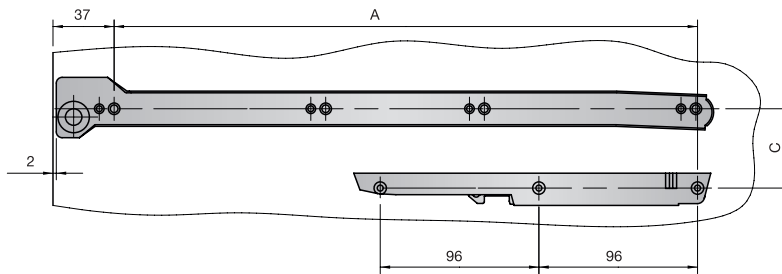
Each reference consists of one soft-close device and one pin.



INDAmatic

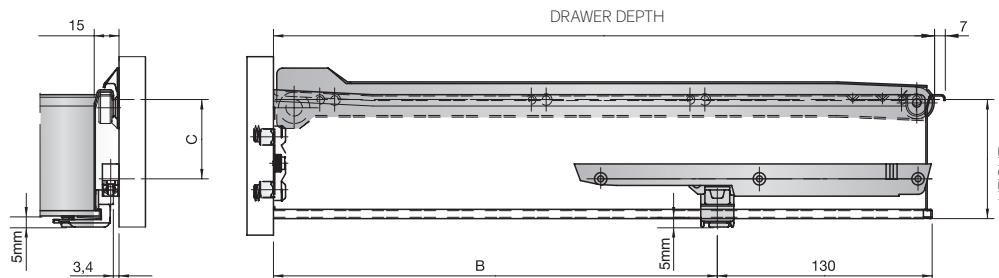
Assembly

Fixing method to the side panel



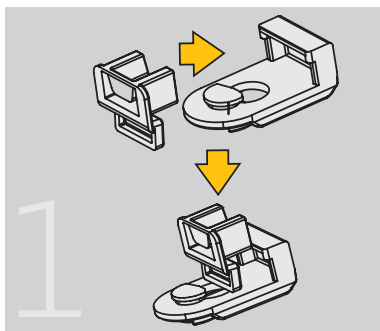
Drawer Length	A	B
250	203	118.5
270	223	138.5
300	253	168.5
350	303	218.5
400	353	268.5
450	403	318.5
480	433	348.5
500	453	368.5
550	503	418.5

Fixing method to the drawer

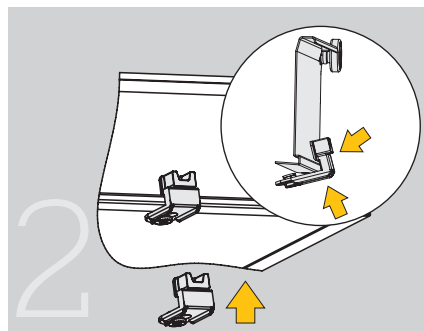


Drawer Height	C
75	48
107	80
139	112

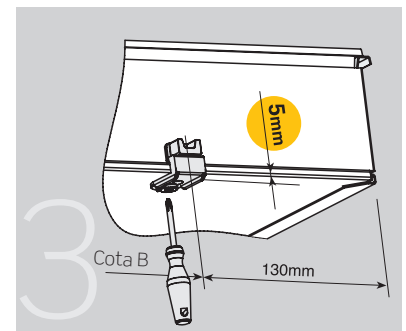
Fixing bracket assembly



Place the fixing bracket onto the metal support.



Place the set onto the inferior wing of the drawer.



Position it on the wing and screw on



## 2 SUPRAKIT DRAWER

### SUPRAKIT: Drawers

Drawers in three pieces and made from painted steel. They are made to measure according to the client's requirements. They are easily stacked. They are also 100% recyclable

75, 107 and 139 mm SUPRAKIT drawers

**WIDTH**  
 Interior measurement of furniture (M.I.) minus 31mm.

**ACTUAL DRAWER DEPTH**  
 Nominal Drawer Depth (P) + 7mm.

**SAMPLE ORDER FOR SUPRAKIT**

If, for example, you require 400 white drawers, 480mm deep, 369mm wide and 75mm high, you should place your order in the following way:

Quantity	Reference	Width
400 sets of sides	668.148.003	
400 backs	669.000.006	369mm.
400 sets of runners	672.148.002	

**SUPRAKIT: Drawers**

**SUPRAKIT 75 drawers.**

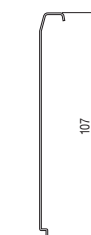
Drawer depth	White RAL 9001	White RAL 9003	Black RAL 9005	Grey RAL 7040	Silver grey	Oak	
250	668.125.006	668.125.135	668.125.021	668.125.312	668.125.813	668.125.091	
270	668.127.003	668.127.132	668.127.025	668.127.316	668.127.810	668.127.095	
300	668.130.002	668.130.131	668.130.024	668.130.315	668.130.816	668.130.094	
350	668.135.005	668.135.134	668.135.020	668.135.311	668.135.812	668.135.090	
400	668.140.001	668.140.130	668.140.023	668.140.314	668.140.815	668.140.093	25
450	668.145.004	668.145.133	668.145.026	668.145.310	668.145.811	668.145.096	
480	668.148.003	668.148.132	668.148.025	668.148.316	668.148.810	668.148.095	
500	668.150.000	668.150.136	668.150.022	668.150.313	668.150.814	668.150.092	
550	668.155.003	668.155.132	668.155.025	668.155.316	668.155.810	668.155.095	
<b>Back</b>	669.000.006	669.000.135	669.000.021	669.000.312	669.000.813	669.000.091	40



Minimum order of 400 sets of sides (left side + right side) and 200 backs per reference. Please specify the width of the back when ordering.

**SUPRAKIT 107 drawers.**

Drawer depth	White RAL 9001	White RAL 9003	Black RAL 9005	Grey RAL 7040	Silver grey	Oak	
250	668.225.003	668.225.132	668.225.025	668.225.316	668.225.810	668.225.095	
270	668.227.000	668.227.136	668.227.022	668.227.313	668.227.814	668.227.092	
300	668.230.006	668.230.135	668.230.021	668.230.312	668.230.813	668.230.091	
350	668.235.002	668.235.131	668.235.024	668.235.315	668.235.816	668.235.094	
400	668.240.005	668.240.134	668.240.020	668.240.311	668.240.812	668.240.090	25
450	668.245.001	668.245.130	668.245.023	668.245.314	668.245.815	668.245.093	
480	668.248.000	668.248.136	668.248.022	668.248.313	668.248.814	668.248.092	
500	668.250.004	668.250.133	668.250.026	668.250.310	668.250.811	668.250.096	
550	668.255.000	668.255.136	668.255.022	668.255.313	668.255.814	668.255.092	
<b>Back</b>	670.000.004	670.000.133	670.000.026	670.000.310	670.000.811	670.000.096	40



Minimum order of 400 sets of sides (left side + right side) and 200 backs per reference. Please specify the width of the back when ordering.

**SUPRAKIT 139 drawers.**

Drawer depth	White RAL 9001	White RAL 9003	Black RAL 9005	Grey RAL 7040	Silver grey	Oak	
250	668.325.000	668.325.136	668.325.022	668.325.313	668.325.814	668.325.092	
270	668.327.004	668.327.133	668.327.026	668.327.310	668.327.811	668.327.096	
300	668.330.003	668.330.132	668.330.025	668.330.316	668.330.810	668.330.095	
350	668.335.006	668.335.135	668.335.021	668.335.312	668.335.813	668.335.091	
400	668.340.002	668.340.131	668.340.024	668.340.315	668.340.816	668.340.094	25
450	668.345.005	668.345.134	668.345.020	668.345.311	668.345.812	668.345.090	
480	668.348.004	668.348.133	668.348.026	668.348.310	668.348.811	668.348.096	
500	668.350.001	668.350.130	668.350.023	668.350.314	668.350.815	668.350.093	
550	668.355.004	668.355.133	668.355.026	668.355.310	668.355.811	668.355.096	
<b>Back</b>	671.000.002	671.000.131	671.000.024	671.000.315	671.000.816	671.000.094	40




Minimum order of 400 sets of sides (left hand + right hand) and 200 backs per reference. Indicate the width of the back when placing your order. Sides packed in boxes of 25 units and backs packed in boxes of 40 units.

**NOTES**

When placing an order, customers should provide the measurement of the back of the drawer. In this regard it is important to bear in mind what is meant by this dimension.

■ SUPRAKIT: Runners

GACELA Runner.

Nominal drawer depth	White RAL 9001	White RAL 9003	Black RAL 9005	Grey RAL 7040	Silver grey	Oak	
250	672.125.005	672.125.134	672.125.020	672.125.311	672.125.812	672.125.090	
270	672.127.002	672.127.131	672.127.024	672.127.315	672.127.816	672.127.094	
300	672.130.001	672.130.130	672.130.023	672.130.314	672.130.815	672.130.093	
350	672.135.004	672.135.133	672.135.026	672.135.310	672.135.812	672.135.096	
400	672.140.000	672.140.136	672.140.022	672.140.313	672.140.814	672.140.092	100
450	672.145.003	672.145.132	672.145.025	672.145.316	672.145.810	672.145.095	
480	672.148.002	672.148.131	672.148.024	672.148.315	672.148.816	672.148.094	
500	672.150.006	672.150.135	672.150.021	672.150.312	672.150.813	672.150.091	
550	672.155.002	672.155.131	672.155.024	672.155.315	672.155.816	672.155.094	

Minimum order of 200 sets of runners per reference. With these references the profiles are packed separately in two boxes containing 100 units each.





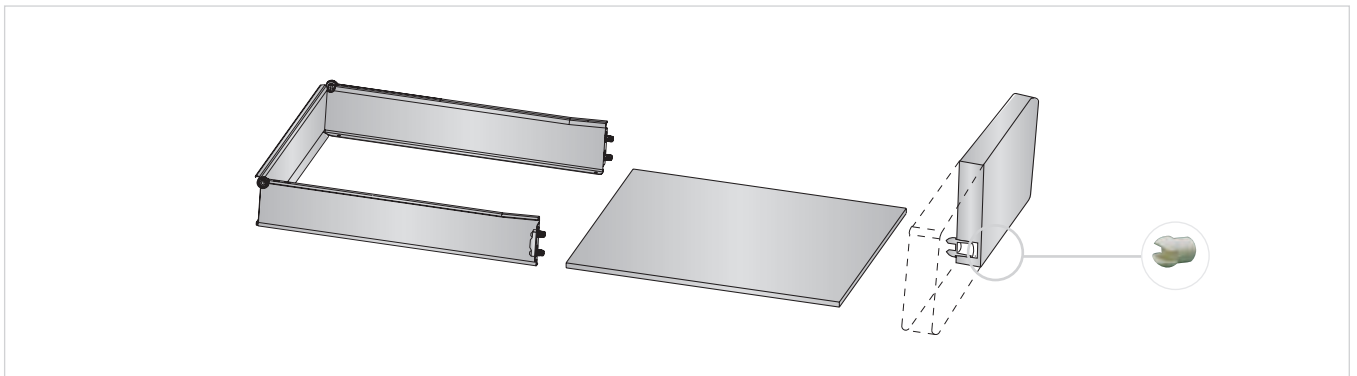
■ SUPRAKIT: Support

Support.

10 mm. Drilling diameter		
White RAL 9001	748.400.004	
White RAL 9003	748.400.133	
Black RAL 9005	748.400.026	1000
Grey RAL 7040	748.400.310	
Oak	748.400.096	




For drawer widths of more than 500mm, it is advisable to use more than One support. Delivered in boxes of 1000 units.

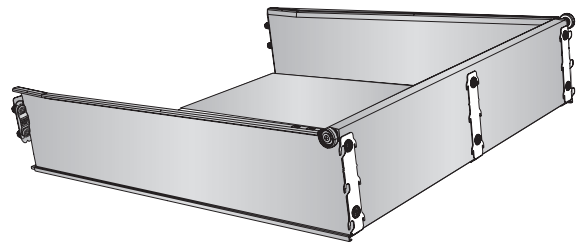


■ SUPRAKIT: Adaptor for wooden backs

Adaptor for wooden back for SUPRAKIT drawer.

	Zinc plated	
SUPRAKIT 75	736.075.034	
SUPRAKIT 107	736.107.035	200
SUPRAKIT 139	736.139.036	

This adaptor enables you to solve any emergency to achieve any drawer width.  
Note: for modules larger than 500mm, it is recommended that 3 or more adaptors be used. Delivered in boxes of 200 units.



M.I. = Interior measurement of the furniture.  
Width = M.I. - 31mm.  
P=Nominal Depth of the drawer.

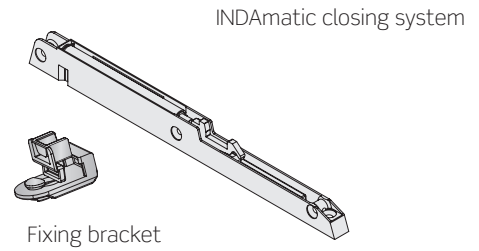
Calculation of base for drawer with wooden back

■ SUPRAKIT INDAmatic independent

INDAmatic set for SUPRAPLEX and SUPRAKIT drawers

White	RAL 9001	198.800.000	50
White	RAL 9003	198.800.136	
Black	RAL 9005	198.800.022	
Grey	RAL 7040	198.800.313	
Oak		198.800.092	

Each reference consists of one soft-close device and one pin.



Assembly

Fixing method to the side panel

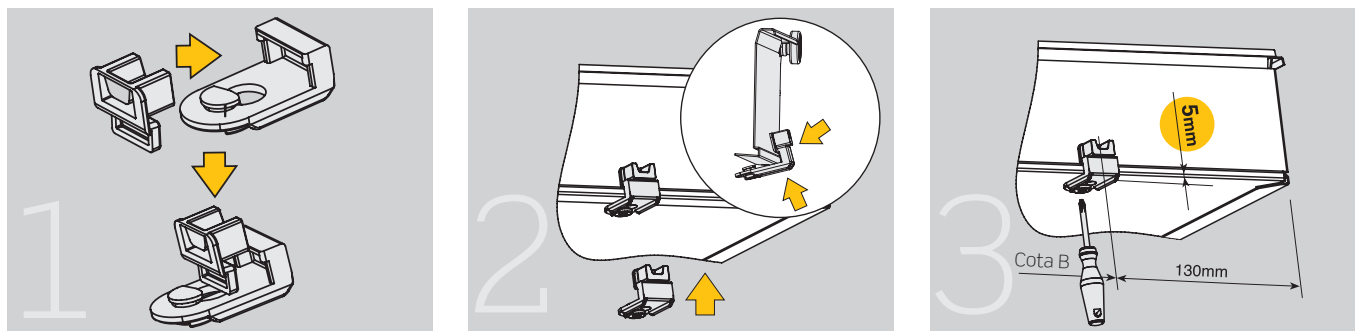
Drawer Length	A	B
250	203	118.5
270	223	138.5
300	253	168.5
350	303	218.5
400	353	268.5
450	403	318.5
480	433	348.5
500	453	368.5
550	503	418.5

Fixing method to the drawer

Drawer Height	C
75	48
107	80
139	112

Fixing bracket assembly




Place the fixing bracket onto the metal support.

Place the set onto the inferior wing of the drawer.

Position it on the wing and screw on

### 3 PAN DRAWER ACCESSORIES

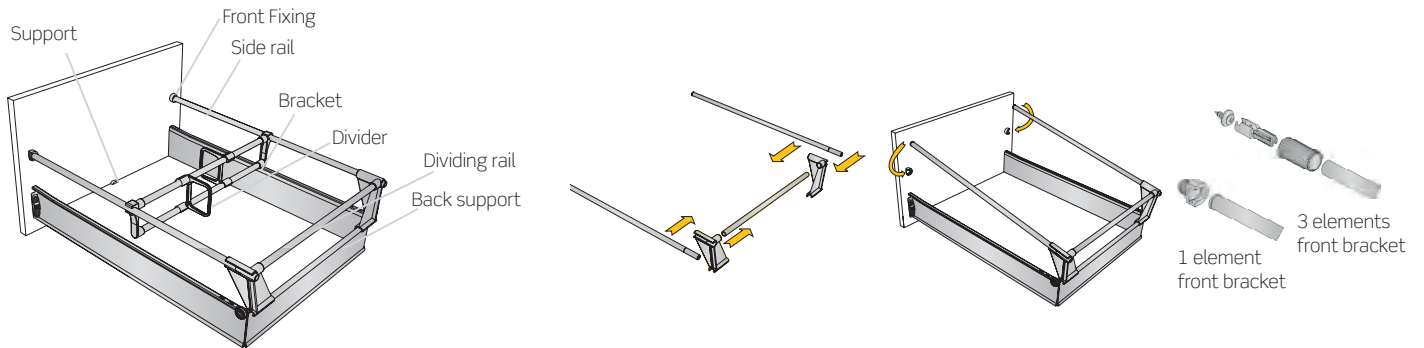
Pan drawer accessories.

	White RAL 9001*	Silver grey**	
Complete drawer set	733.500.003	733.500.810	50


This reference includes one complete set of accessories with the following elements:  
2 Ø10 front fixing devices, 2 side rails, 1 left hand back support and 1 right hand back support. The dividers can be ordered separately, depending on the number of divisions required. \* 3 elements front bracket. \*\* 1 element front bracket.

**NOTE**


This set of accessories can be adapted to the three heights of SUPRAPLEX and SUPRAKIT.



**Dividing rail.**

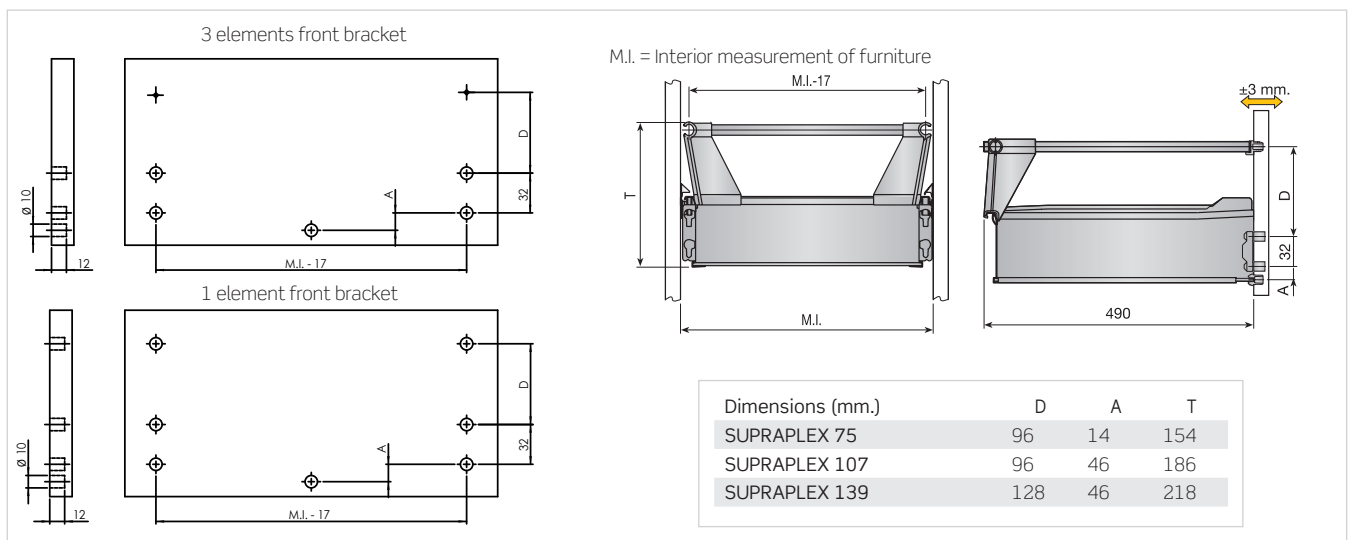
Module (16mm side)	White RAL 9001	Grey RAL7040	
300	746.830.000	746.830.313	
350	746.835.003	746.835.316	
400	746.840.006	746.840.312	50
450	746.845.002	746.845.315	
500	746.850.005	746.850.311	
600	746.860.004	746.860.310	
Length 1000mm.	746.800.003	746.800.316	50

**Bracket.**

	White RAL 9001	Grey RAL7037	
	732.400.001	732.400.303	100

**Divider.**

	White RAL 9001	Grey RAL7037	
	748.100.006	748.100.301	50



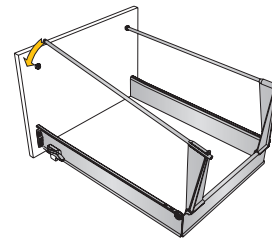
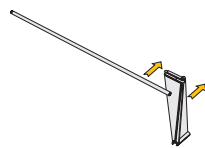
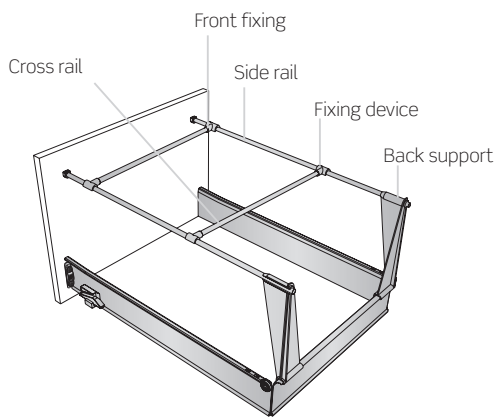
4 OFFICE ACCESSORIES

Filing drawer

Filing cabinet accessories. Nominal Drawer Depth (P): 500mm.

	Zinc-coated	Black RAL 9005	
	733.607.033	733.607.022	50

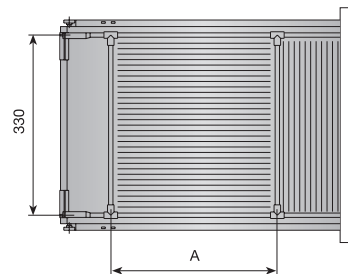
Each reference includes a complete set of accessories with the following elements: 2 Ø10 front fixing devices, 2 Ø8 side rails, 1 left hand back support and 1 right hand back support. 50 units per box.



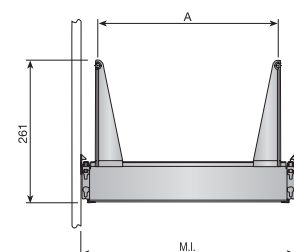
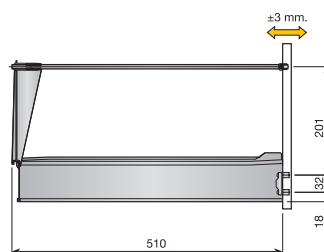
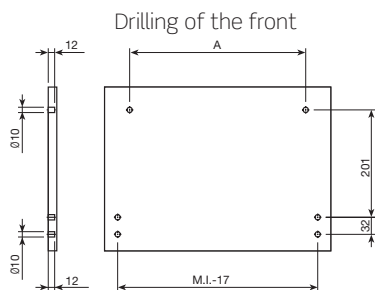
Cross rail set for filing cabinet.

	Zinc-coated	Black RAL 9005	
	733.807.034	733.807.023	50

1 cross rail and 2 fixing devices per reference.



A (mm.)	M.I.=392mm.	M.I.=425mm.
Din a4/Letter	330	330
Folio	-	366
Legal	-	386



M.I. = Interior measurement of furniture (392 or 425)






Interior tray

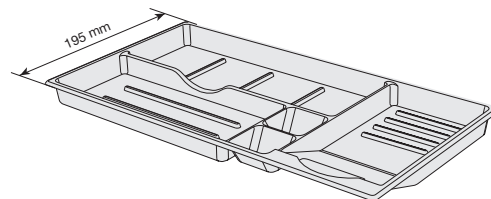
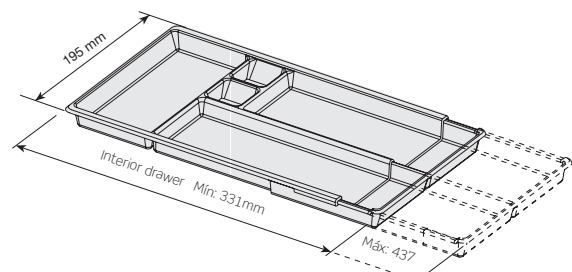


Adjustable interior tray.

	Grey RAL 7040	Black RAL 9005	
1 unit.	735.900.314	735.900.023	25

Interior tray.


Interior width	Grey RAL 7040	Black RAL 9005	
380	735.380.310	735.380.026	25
392	735.392.313	735.392.022	
425	735.425.316	735.425.025	



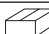
Divider

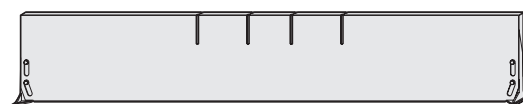
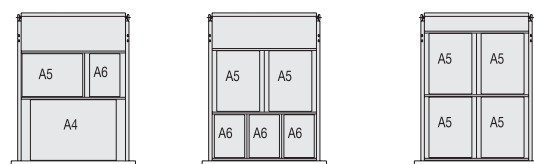


Divider.

Interior Modulation	Grey RAL 7040	Black RAL 9005	
392	734.239.310	734.239.026	25

Cross divider.

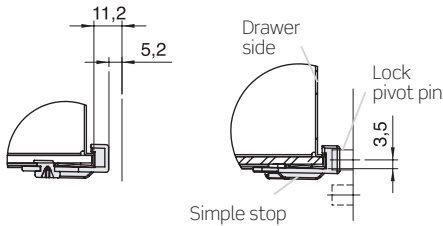
L = Length	Grey RAL 7040	Black RAL 9005	
160	734.516.311	734.516.020	125
220	734.522.316	734.522.025	



Central locking

Central locking.

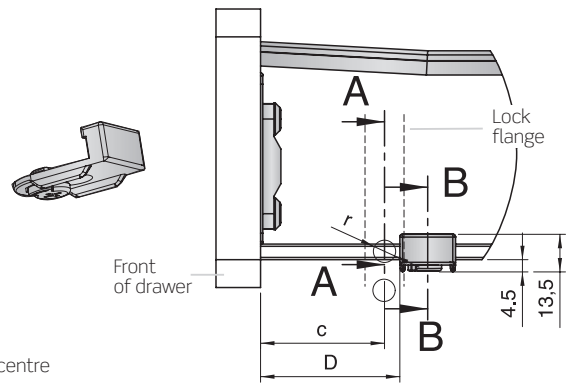
	Nickel plated	
	662.600.061	50



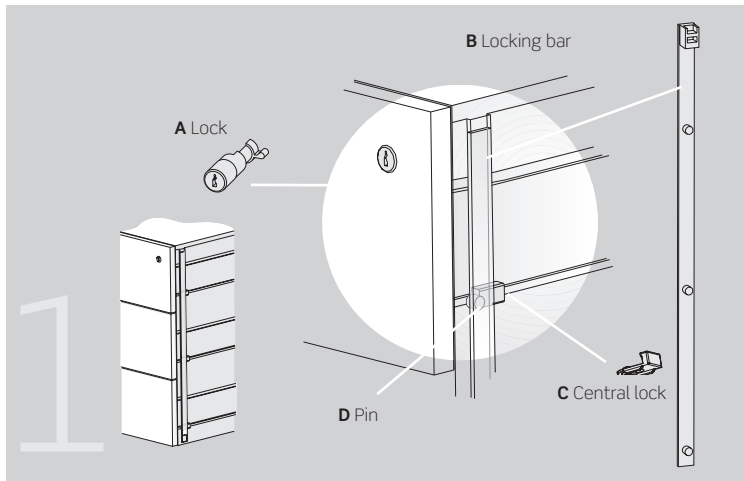
$$D = c + r + 1$$

**c** = Distance from front to centre of closing strip.

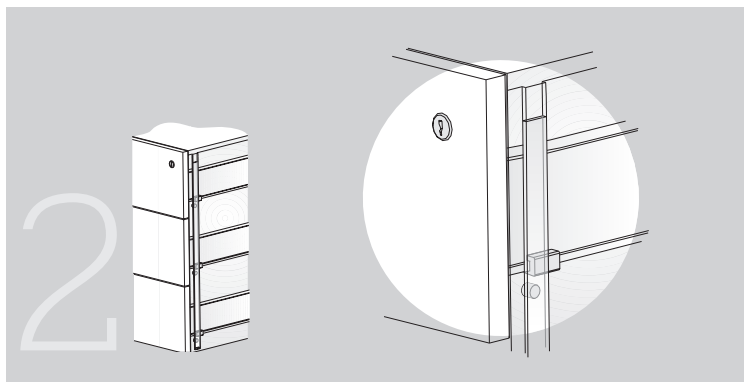
**r** = Radius of lock dowel.



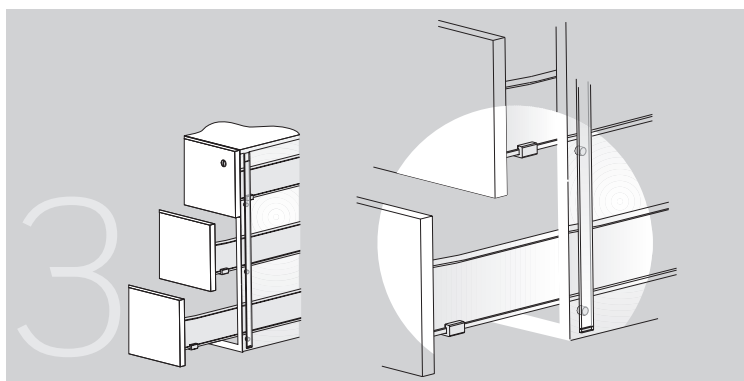
For large production runs, drawer sides can be delivered pre-drilled as per specifications, ready to insert the central lock and anti-tilt device.



Closed pedestal. With the central lock (C), the opening of drawers is impeded by the pins (D) of the locking bar (B).

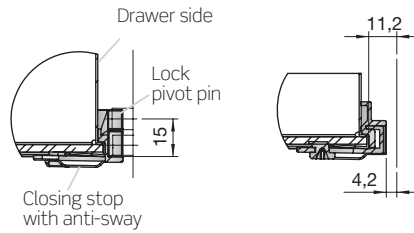


Open pedestal. Turning the key (A) makes the locking bar (B) move downwards. Drawers can be opened without being impeded by the pins (D).



The opening of one drawer is not dependent on the locking bar (B), so all the drawers can be opened at the same time.

■ Anti-tilt device



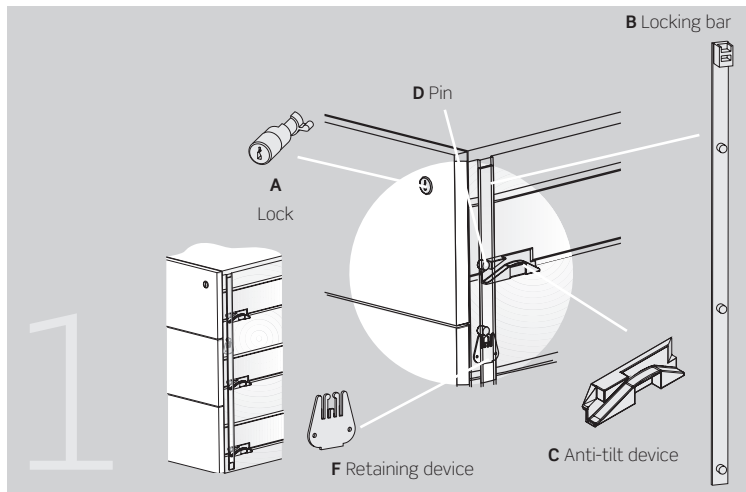
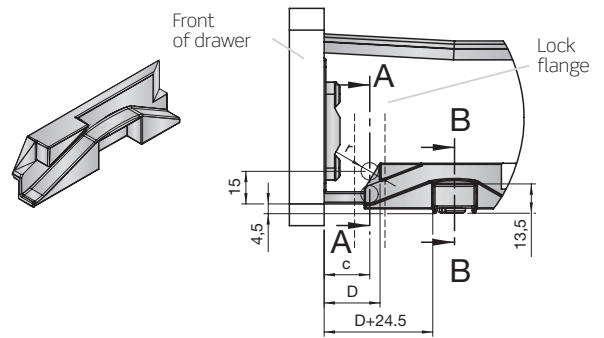
Anti-tilt device.

Black RAL 9005

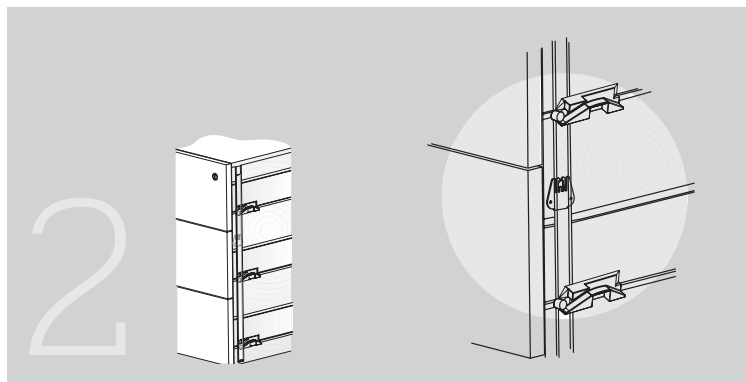
662.700.021

50

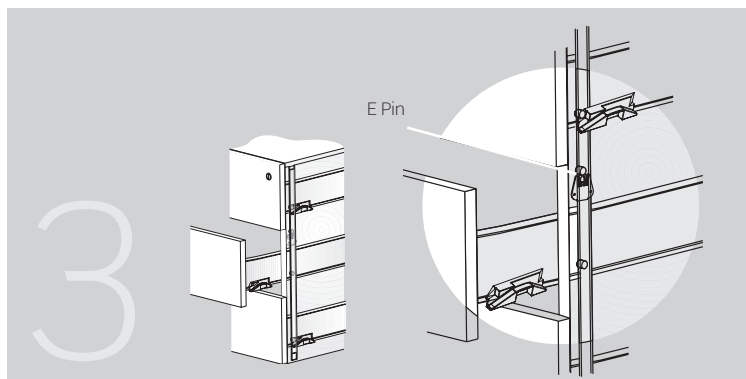
The anti-tilt device is an accessory of the central locking system and cannot be fitted without it. The anti-tilt device is fitted to the central locking system before being fitted to the drawer. 50 units per box.



Closed pedestal. With the anti-tilt device (C), the opening of drawers is impeded by the pins (D) of the locking bar (B).



Open pedestal. Turning the key (A) makes the locking bar (B) move downwards. Drawers can be opened without being impeded by the pins (D).

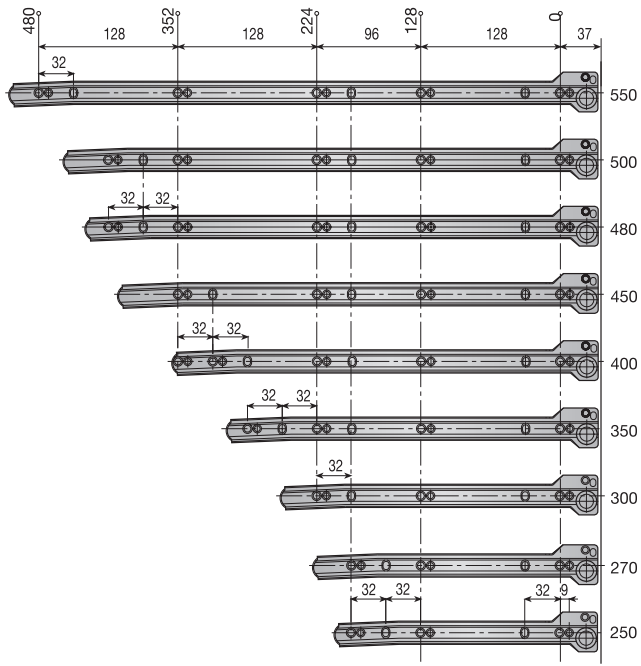


When opening one drawer, the anti-tilt device operates on one pin (D) moving the locking bar (B) upwards. The retaining device (F) prevents the descent of the locking bar (B) holding the pin (E). The rest of the drawers cannot be opened. Their respective pin (D) is preventing this action. When closing the drawer, the locking bar (B) descends allowing the opening of any drawer.

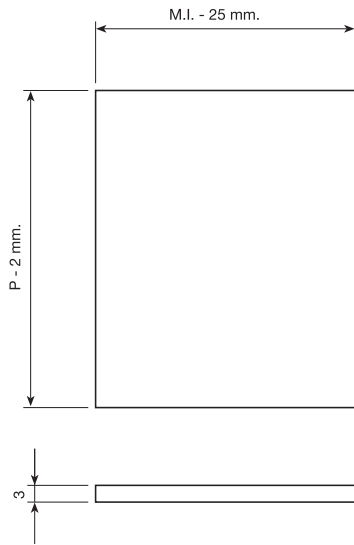


5 TECHNICAL DATA

Drilling and positioning for GACELA runner.



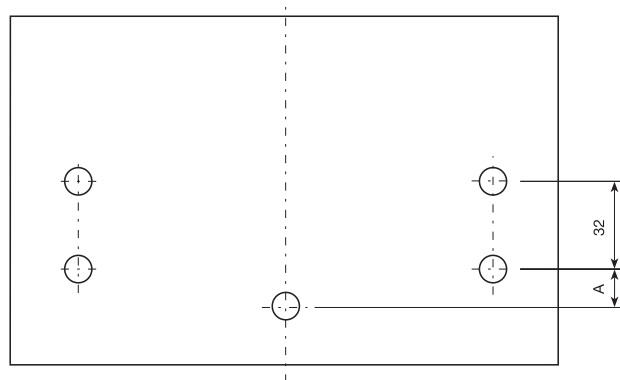
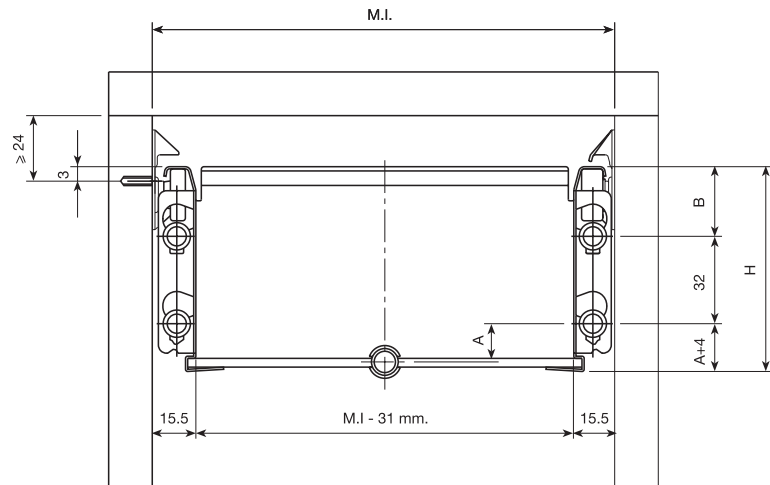
Calculation of the base



P = Nominal Drawer Depth

M.I. = Interior measurement of the furniture

Fixing of the front



Dimensions (mm.)	H	A	B
SUPRAPLEX 75	75	14	25
SUPRAPLEX 107	107	46	25
SUPRAPLEX 139	139	46	57

