

MESUCO 8

Ø26 cup hinge.
“Slide on” assembly.



1 HINGE GROUP

Screw-fixed	With dowels	Glass door hinge		
Nickel	Nickel	White	Brown	Black

	Opening angle 95°	010.000.115	010.009.112	010.050.213	010.050.316	010.050.412
	Opening angle 95°	011.000.113	011.009.110	011.050.211	011.050.314	011.050.410
	Opening angle 95°	012.000.111	012.009.115	012.050.216	012.050.312	012.050.415

2 COVERS

Cover

Nylon	Silver-polish	351.600.222
Nylon	Gold-polish	351.600.233
Nylon	Black	351.600.255



Adaptor

Nylon	351.610.000
-------	-------------



Cover

Nylon	Silver-polish	351.800.223
Nylon	Gold-polish	351.800.234
Nylon	Black	351.800.256



Adaptor

Nylon	351.810.001
-------	-------------



3 MOUNTING PLATES

HEIGHT mm.			0	2	4	7	10	
	 15 24	Screw-fixed Without vertical adjustment	Zamak natural 080.000.001	080.000.104				
	 8 15 32 Ø10	Knock-in Without vertical adjustment	Nylon White Brown Black	080.100.031 080.100.042 080.100.053	080.100.134 080.100.145 080.100.156	080.100.230 080.100.241 080.100.252	080.100.333 080.100.344 080.100.355	080.100.436 080.100.440 080.100.451
	 37 32	Screw-fixed ±2 Vertical adjustment	Nickel-plated steel Nickel-plated Zamak		080.203.126	080.203.222	080.203.314	080.203.410
	 12 37 32 Ø10	Knock-in ±2 Vertical adjustment	Nickel-plated Steel Nickel-plated Zamak		080.303.123	080.303.226	080.303.311	080.303.414
	 7.5 37 32 25	Screw-fixed (With centerer) ±2 Vertical adjustment	Nickel-plated Steel		080.503.124	080.503.220		
	 6.5 37 32 Ø10	Knock-in (With centerer) ±2 Vertical adjustment	Nickel-plated Steel		080.803.122	080.803.225		
	 11 37 32 25	Pre-mounted euro screw ±2,5 Vertical adjustment	Nickel-plated steel Nickel-plated Zamak		080.603.121	080.603.224	080.603.316	080.603.412
	EURO-SCREW H = 11 - Ref.: 951.211.063 H = 13 - Ref.: 951.213.060 (STANDARD)							
			 3 ADJUSTMENTS					

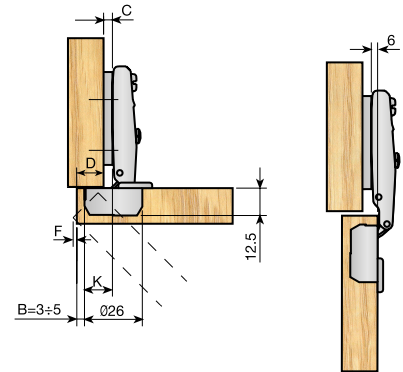
4 TECHNICAL DATA

MESUCO 8: Opening 95°

Full overlay



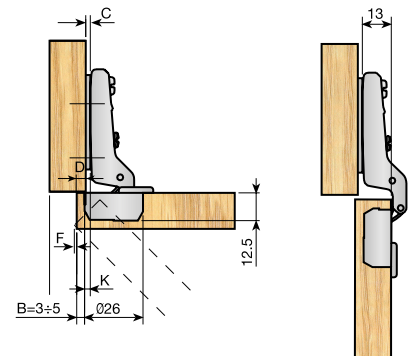
Calculation of the height of the plate
 $C = B + K - D$
 $K = \text{Constant} = 13\text{mm}$



Half overlay



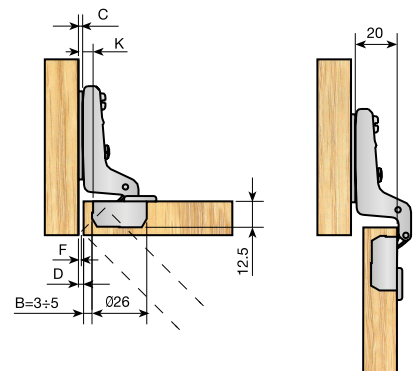
Calculation of the height of the plate
 $C = B + K - D$
 $K = \text{Constant} = 3\text{mm}$



Full inset*



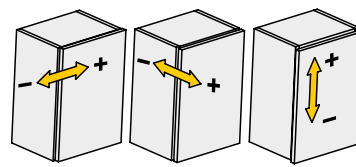
Calculation of the height of the plate
 $C = B + K + D$
 $K = \text{Constant} = -4\text{mm}$



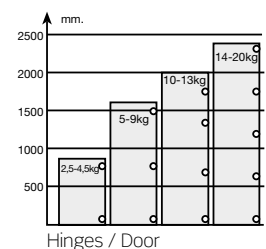
* The position to fix the base has to be moved back a distance equal to the door thickness + 1mm

Lateral door displacement (F).

mm	Door thickness								
B	16	17	18	19	20	21	22	23	24
3	0,8	1,1	1,6	2,3	3,2	4	4,8	5,6	6,5
4	0,75	1,1	1,4	2	2,8	3,5	4,3	5,1	5,8
5	0,7	1	1,3	1,8	2,5	3,2	4	5	5,4



Lateral adjustment -0mm +4mm
 Frontal adjustment -2mm +2mm
 Vertical adjustment It depends on mounting plate model

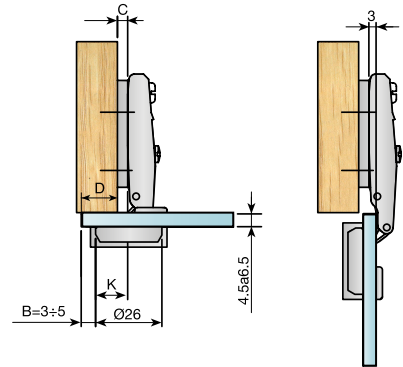


MESUCO 8: Opening 95° Glass door hinge

Full overlay



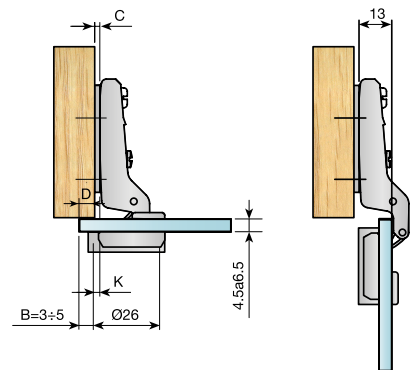
Calculation of the height of the plate
 $C = B + K - D$
 $K = \text{Constant} = 13\text{mm}$



Half overlay



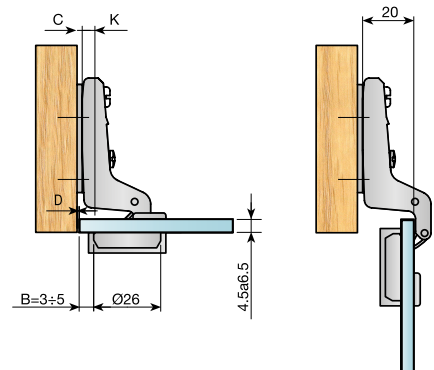
Calculation of the height of the plate
 $C = B + K - D$
 $K = \text{Constant} = 3\text{mm}$



Full inset*



Calculation of the height of the plate
 $C = B + K + D$
 $K = \text{Constant} = -4\text{mm}$



* The position to fix the base has to be moved back a distance equal to the door thickness + 1mm

