

MESUCO X rapid

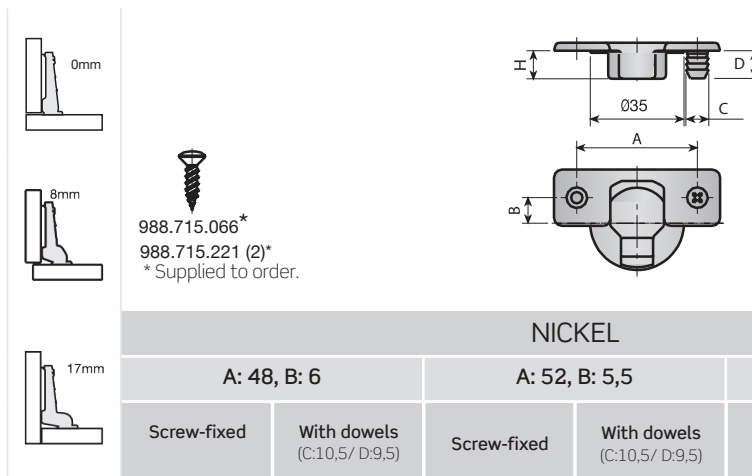
With integrated INDAmatic

- > INDAmatic integrated into the hinge arm for a smooth and silent closing.
- > The cushioning system is completely invisible. Every door can now close with one silent action.
- > Program: standard 110 ° hinge with different overlays and 165 ° wide angle hinge.
- > Ø35 mm cup hinge, for 14-26 mm door thickness.
- > Uniform and cushioned closing guaranteed without extra assembly.



-INDAmatic


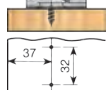

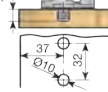

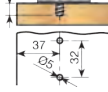

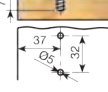

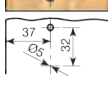

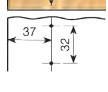

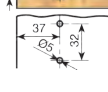

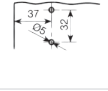

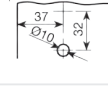

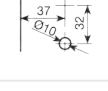

1 HINGE GROUP



NICKEL					
A: 48, B: 6		A: 52, B: 5,5		A: 45, B: 9,5	
Screw-fixed	With dowels (C:10,5/ D:9,5)	Screw-fixed	With dowels (C:10,5/ D:9,5)	Screw-fixed	With dowels (C:8,7/ D:9,7)

<p>$\alpha = 0^\circ \div 110^\circ$ H = 11.3</p>	standard	0mm.	319.010.064 319.010.226 (1)	319.020.063	319.210.065 319.210.220 (1)	319.220.064	319.110.061 319.110.223 (1)	397.400.065
	self-opening	0mm.	319.011.066 319.011.221 (1)	319.021.065	319.211.060	319.221.066	319.111.063	397.401.060
<p>$\alpha = 0^\circ \div 110^\circ$ H = 11.3</p>	standard	8mm.	319.012.061 319.012.223 (1)	319.022.060	319.212.062	319.222.061	319.112.065	319.122.064
	self-opening	0mm.	319.015.060	319.025.066	319.215.061	319.225.060	319.115.064	319.125.063
<p>Without soft closing $\alpha = 0^\circ \div 110^\circ$ H = 11.3</p>	standard	0mm.	319.710.064	319.720.063	319.770.065	319.780.064	319.740.061	319.750.060
	self-opening	8mm.	319.711.066	319.721.065	319.771.060	319.781.066	319.741.063	319.751.062
	self-opening	17mm.	319.712.061	319.722.060	319.772.062	319.782.061	319.742.065	319.752.064
<p>$\alpha = 0^\circ \div 165^\circ$ H = 11.3</p>	standard	0mm.	319.040.061	319.050.060	319.240.062 319.241.064	319.250.061	319.140.065	319.150.064
	self-opening	17mm.	319.042.065	319.052.064	319.242.066			
<p>Without soft closing $\alpha = 0^\circ \div 165^\circ$ H = 11.3</p>	standard	0mm.	319.840.065	319.850.065				
	self-opening							
<p>$\alpha = 30^\circ \div 140^\circ$ $\alpha = 45^\circ \div 155^\circ$ H = 11.3</p>	standard	0mm.	319.070.065	319.071.060	319.270.066	319.271.061	319.170.062	319.171.064
	self-opening	0mm.	319.080.064	319.081.066	319.280.065	319.281.060	319.180.061	319.181.063
<p>Without soft closing $\alpha = 30^\circ \div 140^\circ$ $\alpha = 45^\circ \div 155^\circ$ H = 11.3</p>	standard	0mm.	319.980.065					
	self-opening							
<p>$\alpha = 90^\circ \div 200^\circ$ H = 11.3</p>	standard	0mm.	319.090.063	319.091.065	319.290.064	319.291.066	319.190.060	319.191.062
	self-opening							
<p>Without soft closing $\alpha = 90^\circ \div 200^\circ$ H = 11.3</p>	standard	0mm.	319.390.062	319.392.065		319.391.063		
	self-opening							

2 MOUNTING PLATES

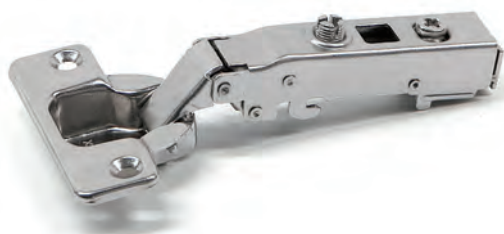
HEIGHT OF THE PLATES IN MM.				0	2	4
		Screw-fixed Vertical adjustment ± 2 mm	Nickel-plated steel	353.010.066 353.010.221 (1)	353.012.063	353.014.060
		Knock-in Vertical adjustment ± 2 mm	Nickel-plated steel	353.090.065 353.090.220 (1)	353.092.062	353.024.066
		Pre-mounted euro screw Vertical adjustment ± 2 mm	Nickel-plated steel	353.030.064 353.030.226 (1)	353.032.061 353.032.223 (1)	353.034.065
		Pre-mounted euro screw Vertical adjustment ± 2 mm	Nickel-plated steel	353.330.062	353.332.066	353.334.063
		Screw-fixed (WITH CENTERER) Vertical adjustment ± 2 mm	Nickel-plated steel	353.040.063 353.040.225 (1)	353.042.060	353.044.064
		Eccentric Screw-fixed Vertical adjustment ± 1,9 mm	Nickel-plated steel	353.050.062 353.050.224 (1)	353.052.066 353.052.221 (1)	353.054.063
		Eccentric Pre-mounted euro screw Vertical adjustment ± 1,9 mm	Nickel-plated steel	353.060.061 353.060.223 (1)	353.062.065 353.062.220 (1)	353.064.062
		Eccentric Screw-fixed (WITH CENTERER) Vertical adjustment ± 1,9 mm	Nickel-plated steel		353.072.064	353.074.061
		Eccentric Knock-in Vertical adjustment ± 1,9 mm	Nickel-plated steel	353.080.066	353.082.063	
		Eccentric Knock-in Vertical adjustment ± 1,9 mm	Nickel-plated steel		353.112.060	
		Eccentric Screw-fixed Vertical adjustment ± 1,9 mm	Nickel-plated steel	353.100.064		

(1) Titanium color finish

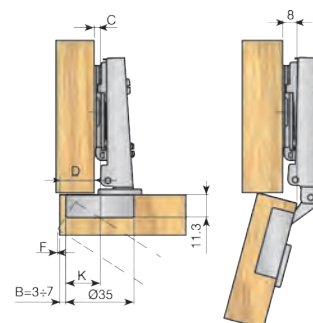
3 TECHNICAL DATA

Mesuco x rapid Opening 110°

Full overlay



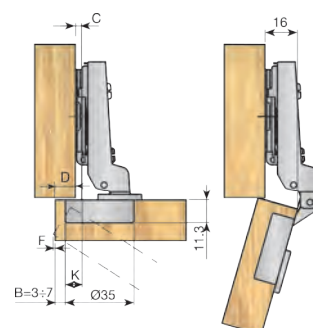
Calculation of the height of the plate
 $C = B + K - D$
 $K = \text{Constant} = 12,5\text{mm}$



Half overlay



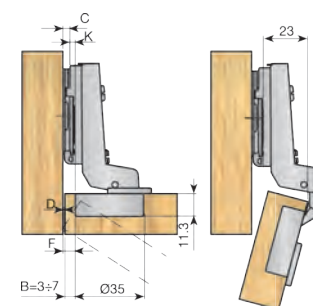
Calculation of the height of the plate
 $C = B + K - D$
 $K = \text{Constant} = 4,5\text{mm}$



Full inset*



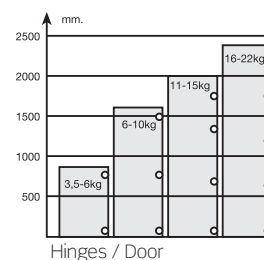
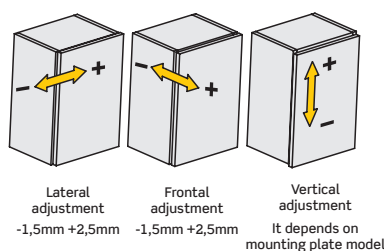
Calculation of the height of the plate
 $C = B + K + D$
 $K = \text{Constant} = -4,5\text{mm}$



* The position to fix the base has to be moved back a distance equal to the door thickness + 1mm

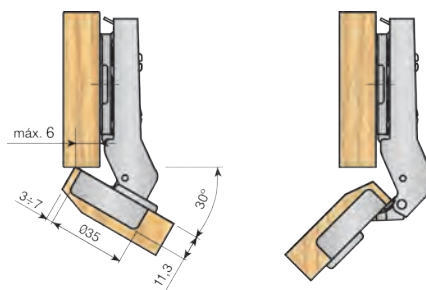
Lateral door displacement (F).

mm	Door thickness								
B	16	17	18	19	20	21	22	23	24
3	0,7	1	1,3	1,6	2	2,5	3,1	3,8	4,6
4	0,7	1	1,3	1,6	2	2,4	3	3,6	4,2
5	0,7	1	1,2	1,5	1,9	2,3	2,8	3,3	3,9
6	0,7	1	1,2	1,5	1,8	2,2	2,7	3,1	3,7
7	0,7	0,9	1,1	1,4	1,7	2,1	2,6	3	3,5

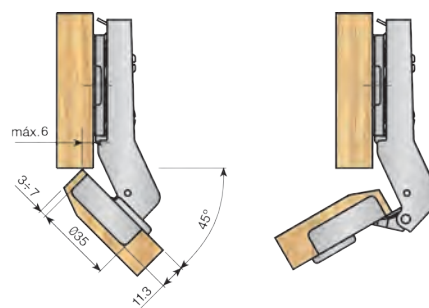


Hinges / Door

MESUCO X Opening 30° ÷ 140°



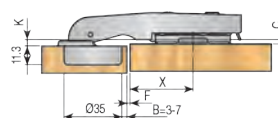
MESUCO X Opening 45° ÷ 155°



MESUCO X Opening 90° ÷ 200°

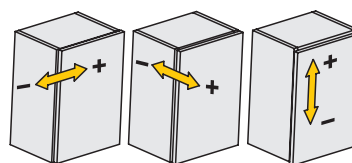


Mounting plate's drilling position calculation
 $X = 24 - B - F$
 K = Constant = 0mm

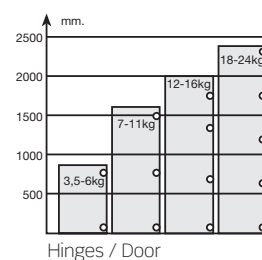


Lateral door displacement (F).

mm	Door thickness									
B	16	17	18	19	20	21	22	23	24	
3	0,7	1	1,3	1,6	2	2,5	3,1	3,8	4,6	
4	0,7	1	1,3	1,6	2	2,4	3	3,6	4,2	
5	0,7	1	1,2	1,5	1,9	2,3	2,8	3,3	3,9	
6	0,7	1	1,2	1,5	1,8	2,2	2,7	3,1	3,7	
7	0,7	0,9	1,1	1,4	1,7	2,1	2,6	3	3,5	

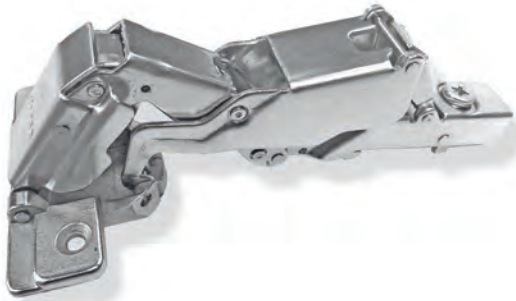


Lateral adjustment -1,5mm +2,5mm
 Frontal adjustment -1,5mm +1,5mm
 Vertical adjustment
 It depends on mounting plate model

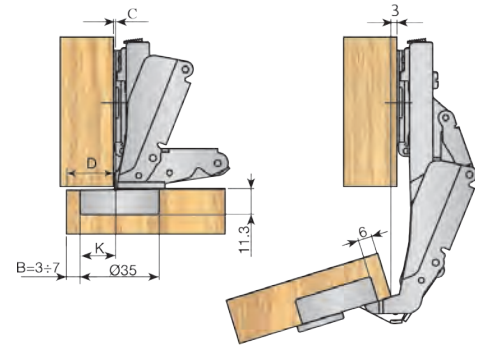


MESUCO X RAPID Opening 165°

Full overlay



Calculation of the height of the plate
 $C = B + K - D$
 $K = \text{Constant} = 10,5\text{mm}$

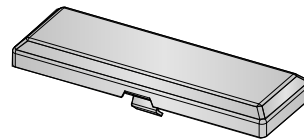


4 COVERS

Hinge cover.

Steel	Nickel-plated	302.131.266
Steel	Titanium color	302.131.224

The hinge cover can be customized by stamping or serigraphy.



Door cover.

		A:48 - A:45	A:52
Steel	Nickel-plated	302.131.048	302.131.052



Angle reducer for 110° hinge

White	352.600.006
-------	-------------

