

**JUNIOR-CO**

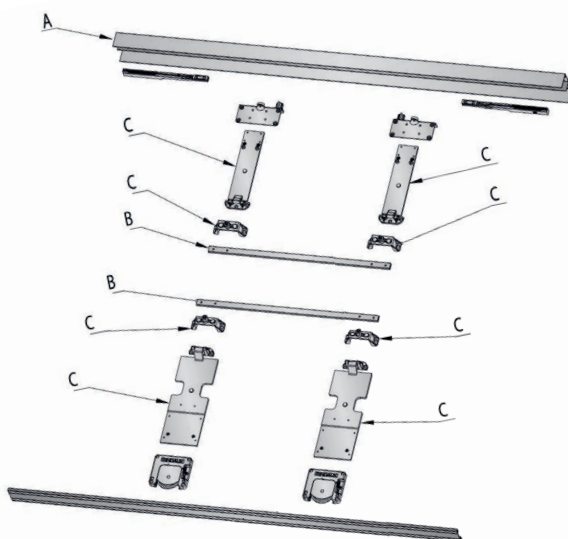
Coplanar system for supported doors.




**Kit for 2m. cabinet**

		
Matt silver anodised	738.420.513	1


Each kit is made of: upper and lower tracks, INDAmatics, upper and lower rollers, stabilizer bars and the set of fittings




**A Dual upper track**

	1968mm	3m	4.2m	6.1m	
Matt silver anodised	738.219.510	738.230.511	738.242.514	738.261.510	10
Silver anodised			738.242.105	738.261.101	

**B Stabilizer bar**

	2m (no machining)	Cut to measure (mechanised)	
Anodized silver mat	727.020.512	727.000.514	2

**C Fittings set**

		
	738.100.101	1

\* See rollers on page 481

■ JUNIOR-CO

Assembly

