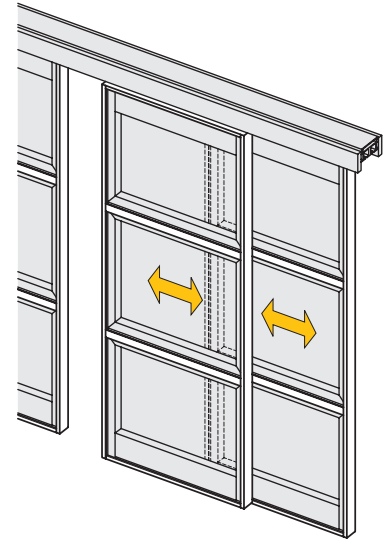


FITTINGS FOR INTERIOR DOORS

Room divider doors:
Aluminium or wooden doors.




SOFT CLOSING DIVIDER DOORS 527

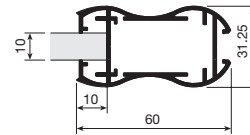
WOODEN DIVIDER DOORS WITH INDAMATIC 532

1 DIVIDER DOORS WITH INDAMATIC


Profiles

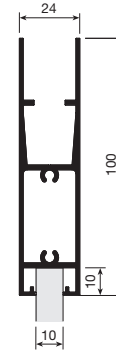
10mm handle profile.

	2.6m. profiles	5.2m. profiles	
Silver-anodised		714.752.102	10
Matt silver-anodised		714.752.511	
White lacquered		714.752.802	



Upper and lower profile for 10mm.

	2m. profiles	
Silver-anodised	715.620.102	10
Matt silver-anodised	715.620.511	
White lacquered	715.620.802	




Glass gasket.

	4-6 mm.	8 mm.	
Transparent	753.230.310	753.280.312	50




3m profiles.

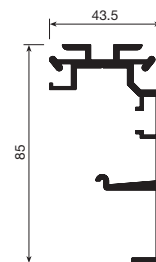
Ruber seal for handle profile.

	2.6m. profiles	
White RAL 9010	715.926.002	20
Grey RAL 7040	715.926.315	
Black RAL 9005	715.926.024	




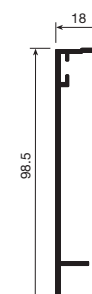
Upper track profile.

	6,1m. profiles	
Natural	715.760.500	8
Matt silver-anodised	715.760.511	
White lacquered	715.760.802	



Upper track cover profile.

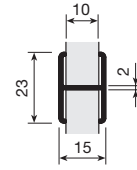
	6,1m. profiles	
Silver-anodised	715.860.106	8
Matt silver-anodised	715.860.515	
White lacquered	715.860.806	



■ Profiles


10mm. divider profile.

	2m. profiles	
Silver-anodised	715.220.100	
Matt silver-anodised	715.220.516	20
White lacquered	715.220.800	



■ Components

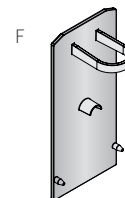
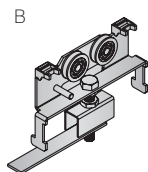
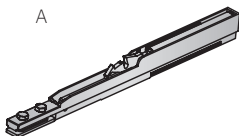
Bag of components.

	1 door	
	703.400.106	5

Each bag contains:

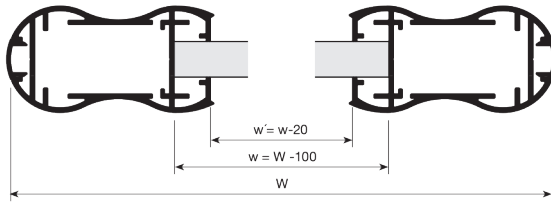
	1 door
A INDAMATIC self-closing with mechanism	1 piece
B Upper roller	2 pieces
C Lower floor runner	1 piece
D Screws	8 pieces
E Track cover support clip	2 pieces
F Profile cover	4 pieces

INDAmatic

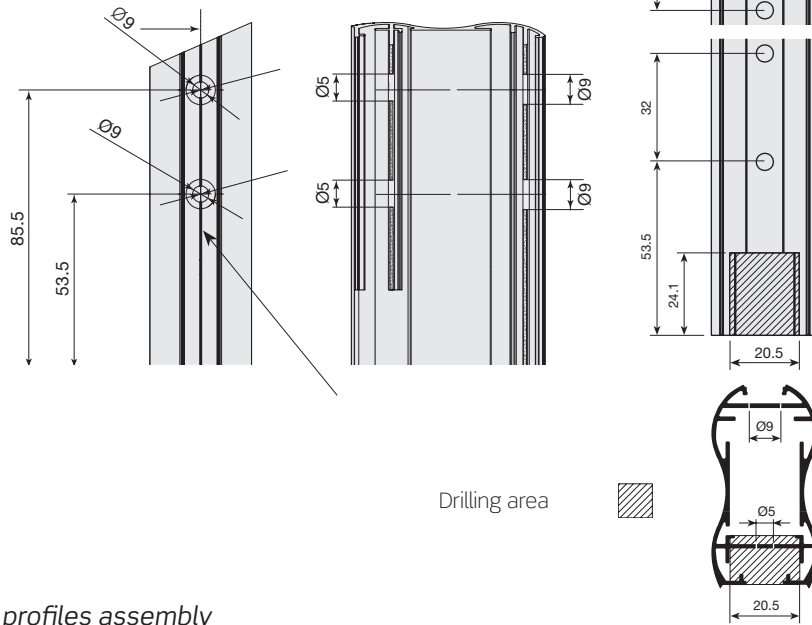


■ Technical data

Profiles and board cutting lengths

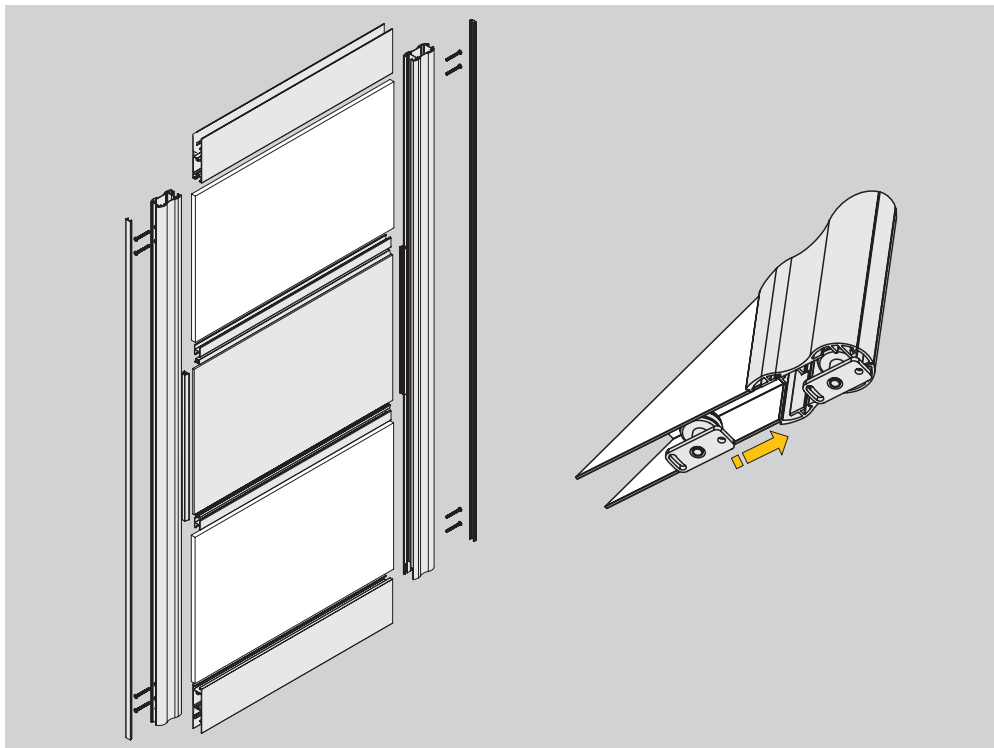


Machining lengths for the handle profile

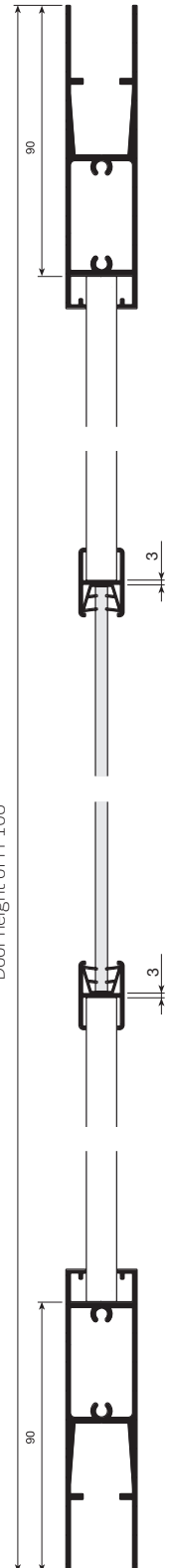


Drilling area

Door profiles assembly

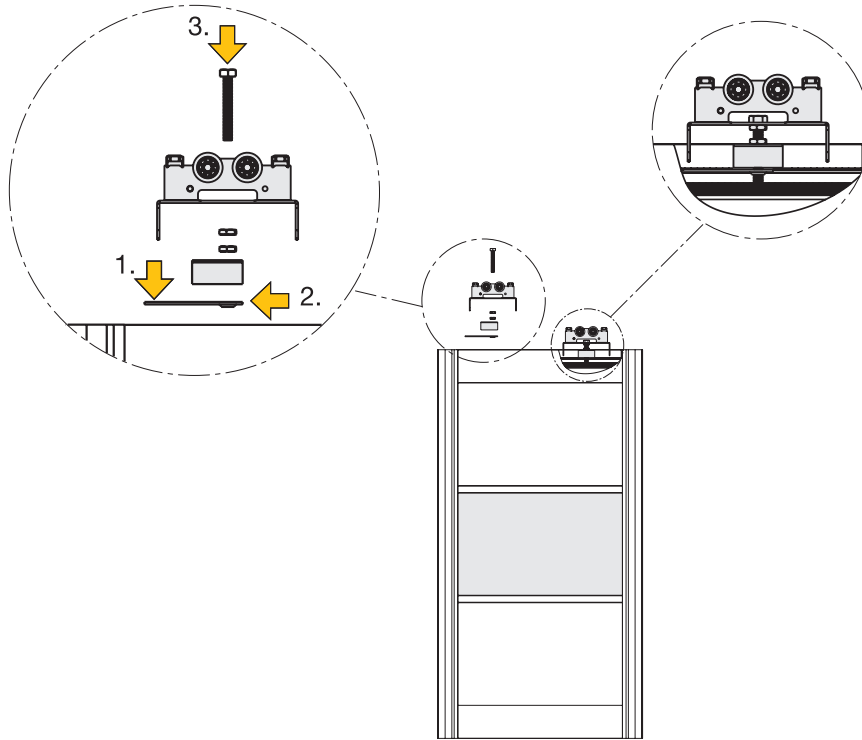


Door height of H-106

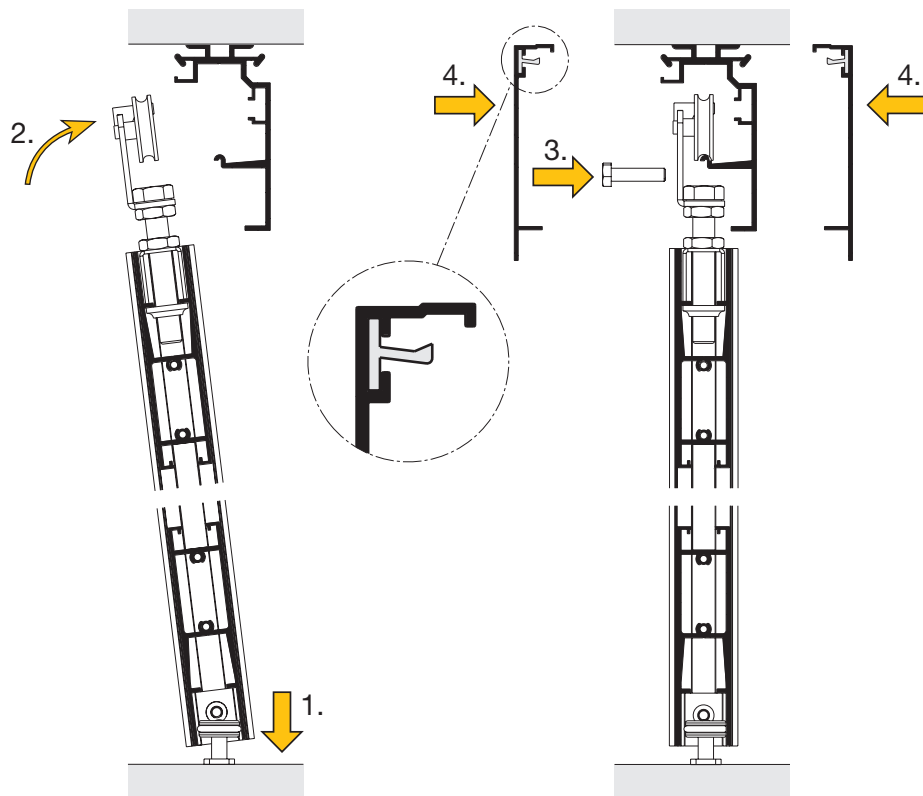


■ Technical data

Fitting assembly

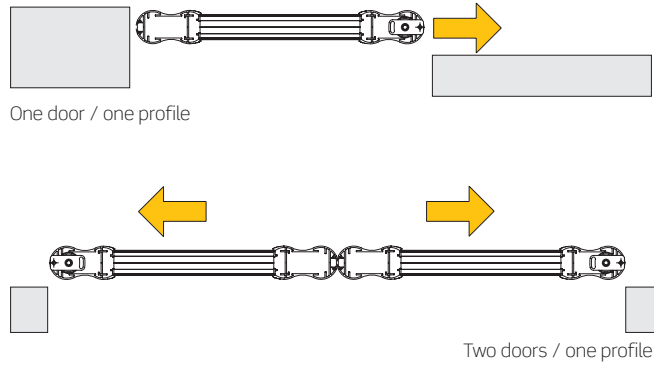


Door assembly

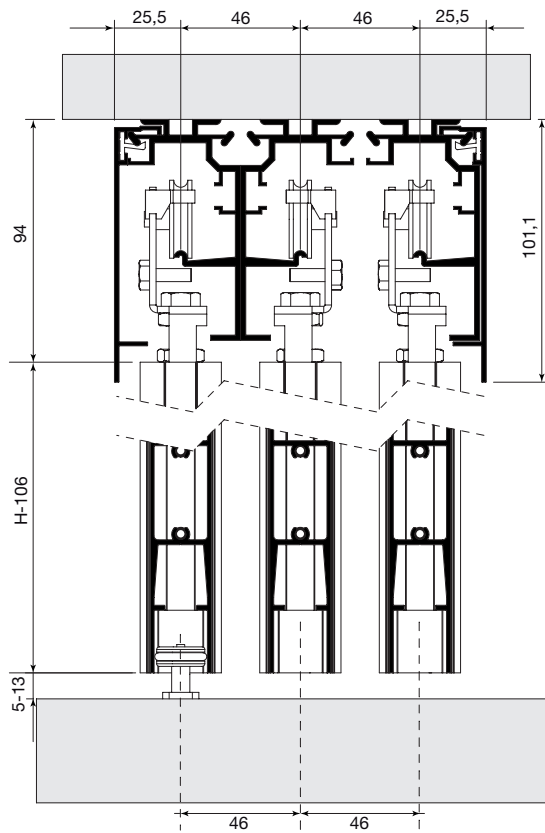


■ Technical data

Door assembly options



Assembly options: 3 doors

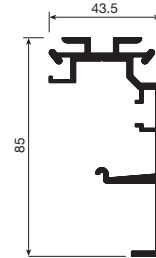


2 WOODEN DIVIDER DOORS WITH INDAMATIC

Profiles

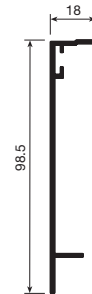
Upper track profile

	6m. profiles	
Natural	715.760.500	
Matt silver-anodised	715.760.511	8
White Lacquered	715.760.802	




Upper track cover profile

	6m. profiles	
Silver-anodised	715.860.106	
Matt silver-anodised	715.860.515	8
White lacquered	715.860.806	



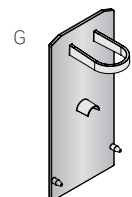
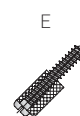
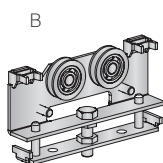
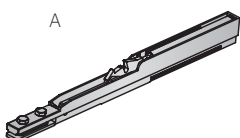
Bag of components

	1 door	
	705.700.100	5

Each bag contains:

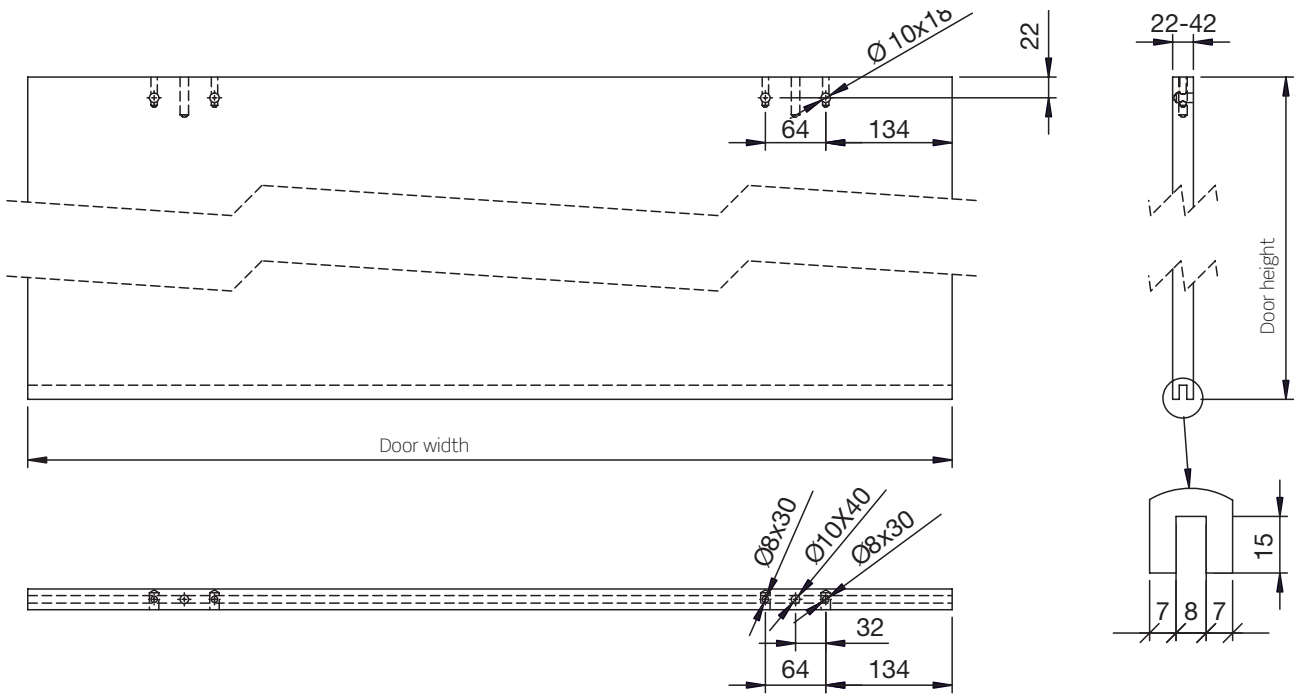
	1 door
A INDAMATIC self-closing with mechanism	2 parts
B Upper roller	2 parts
C Upper roller fixing screw	4 parts
D Nut for fixing screw	4 parts
E Lower profile guiding screw	1 parts
F Track cover support clip	2 parts
G Profile cover	2 parts

INDAmatic

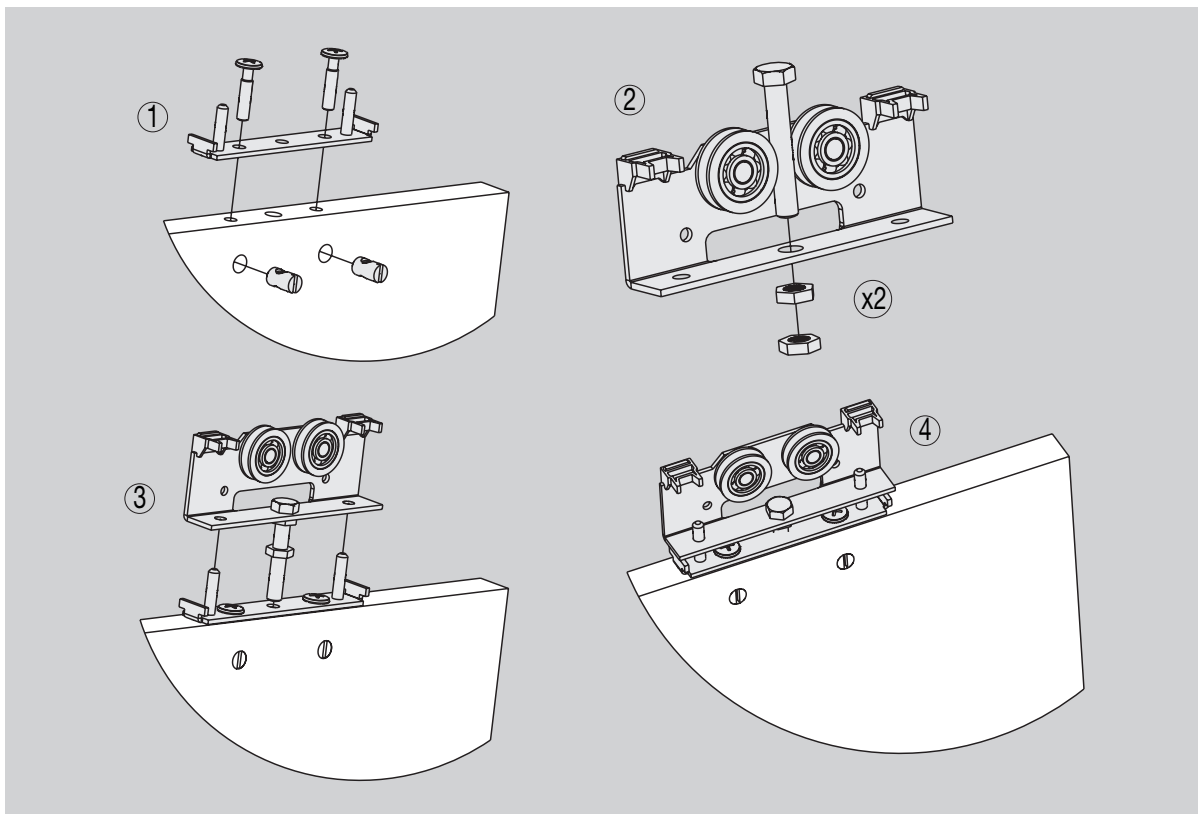


■ Technical data

Machining lengths for the door



Door profiles assembly

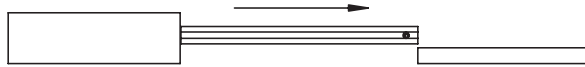


■ Technical data

Door assembly options



Two doors / one profile



One door / one profile

Door assembly options

