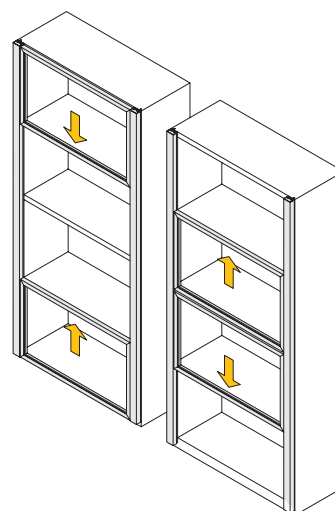


FITTINGS FOR VERTICAL DOORS



Fittings for vertical sliding doors: for 600 and 700mm high hanging units.
For 1250mm to 2000mm vertical units hanging units


1	VERTIKAL	538
----------	----------------	-----

1 VERTIKAL

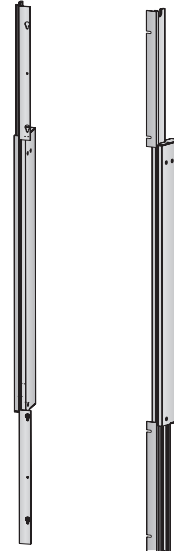
■ Vertikal 1/2

The height of the doors is half the height of the module. The upper door must weight the same as the lower one, including the handle. This system incorporates soft closing and latches and cushioned opening of the doors. Maximum width of the door 1800mm.


Vertical opening system. Synchronised opening.

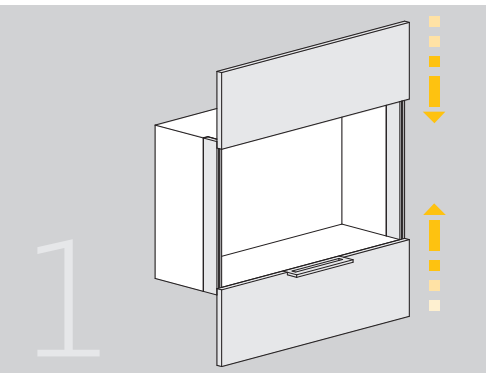
Height of unit	INDAmatic	
600	700.860.101	1
700	700.870.100	

Supplied with the tightening bolt so that it may be assembled in the module.

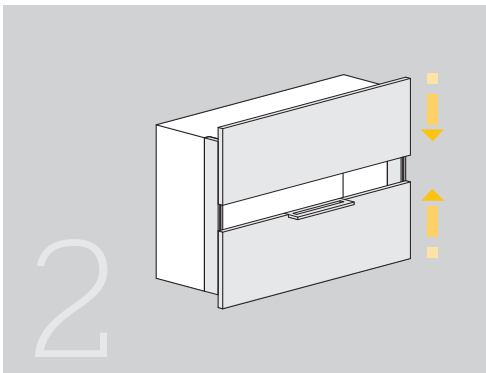


Technical data - self closing system incorporated

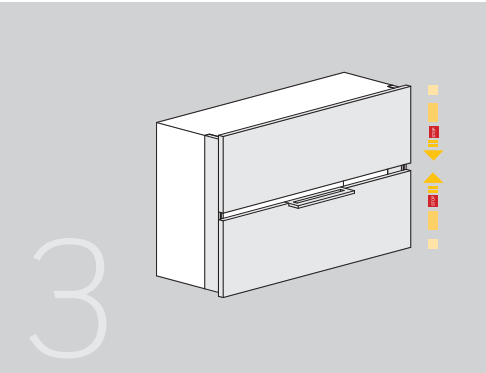




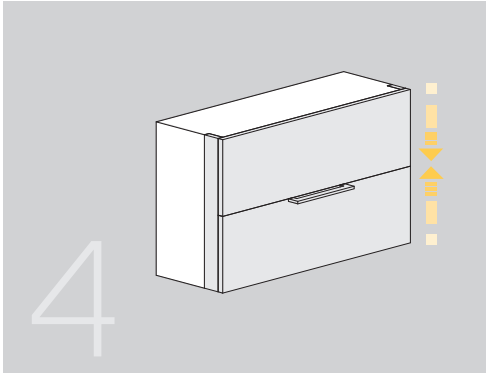
1



2



3



4

■ Vertikal 2/3

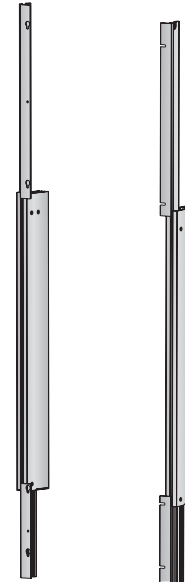
The height of the upper doors is dual that of the lower ones. The lower door must weight dual that of the upper one, including the handle. Counterweights are supplied.

This system incorporates soft closing and latches and cushioned opening of the doors. Maximum width of the door 1800mm.

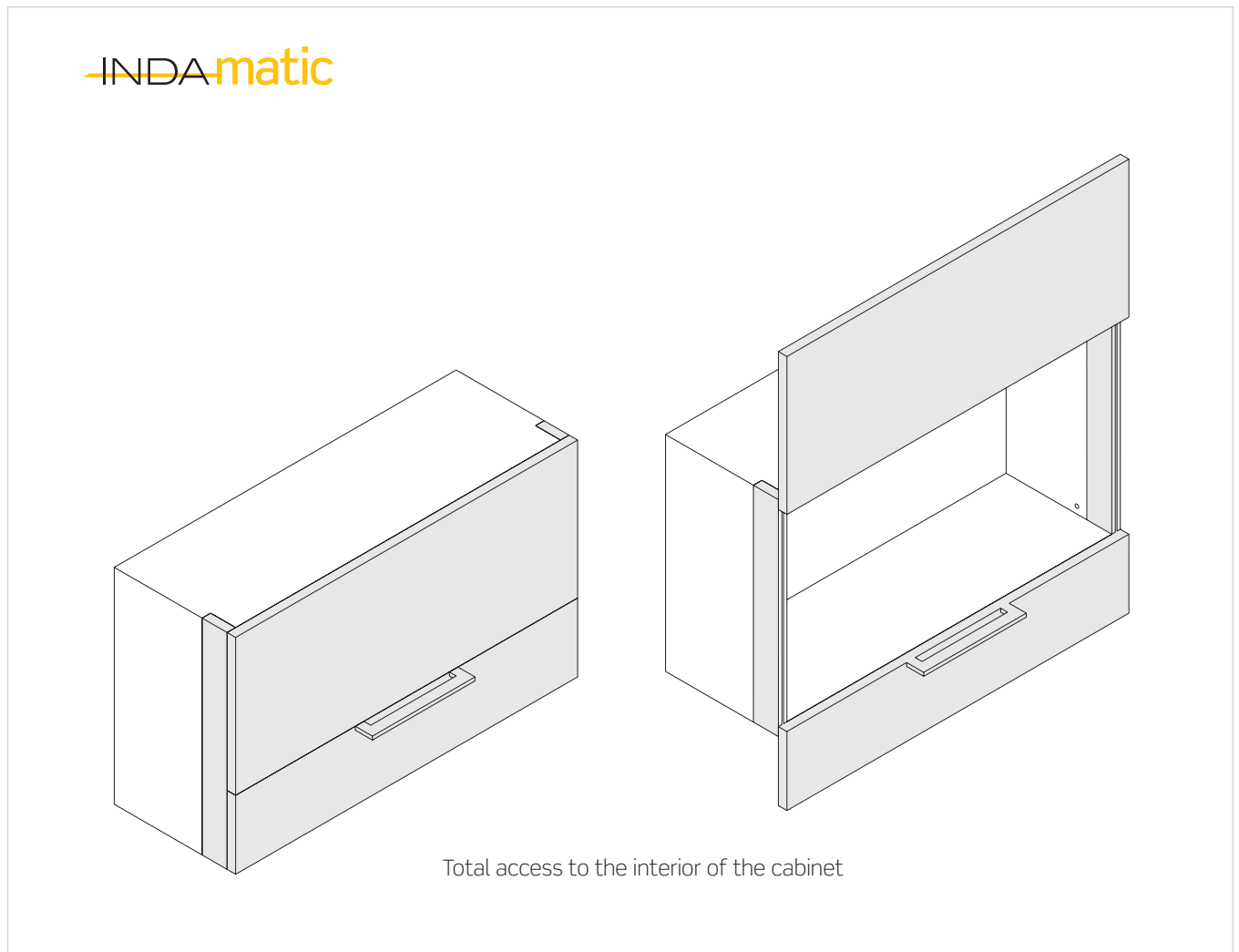
Vertical opening system. Synchronised opening.

Height of unit	INDAmatic	
548	700.955.102	
600	700.960.105	1
700	700.970.104	

Supplied with the tightening bolt so that it may be assembled in the module.



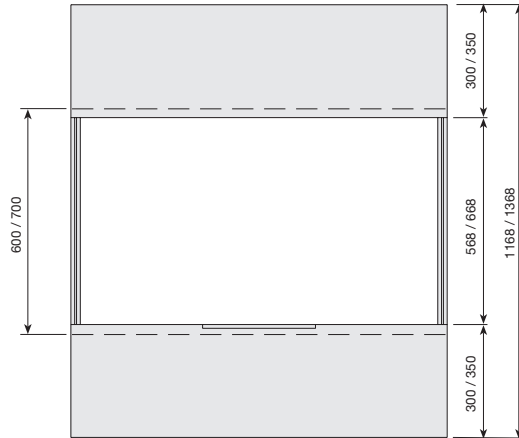
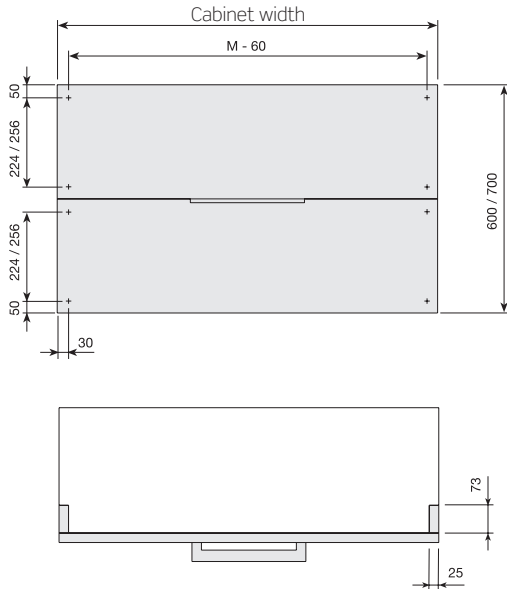
Technical data - self closing system incorporated



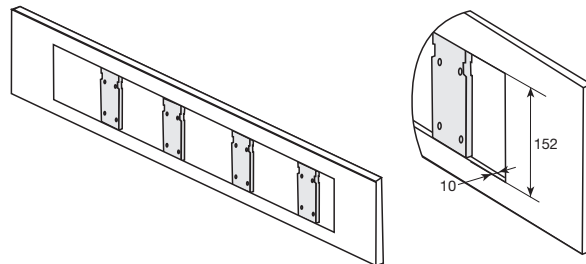
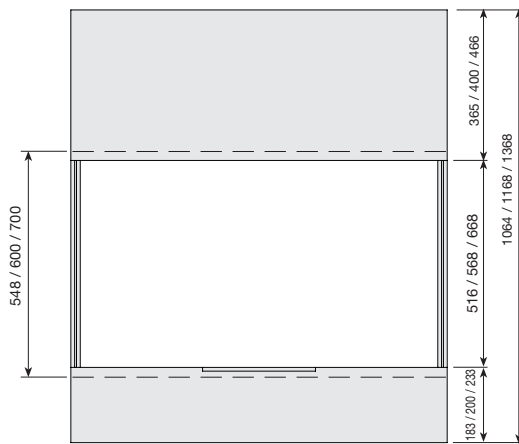
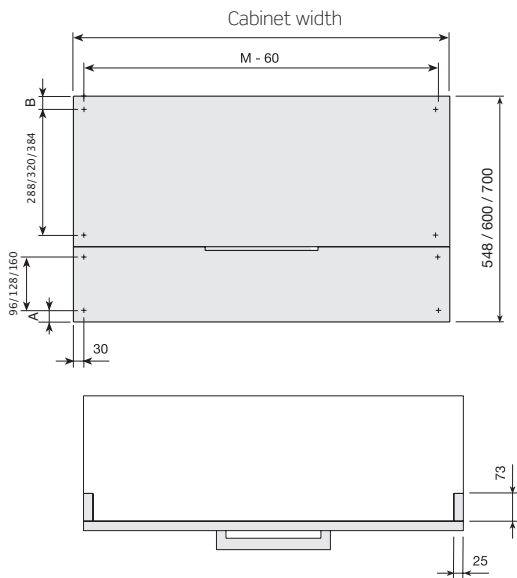
Total access to the interior of the cabinet

■ Technical data

Vertikal fitting "1/2"



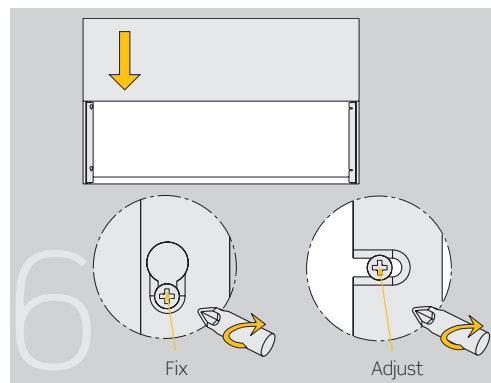
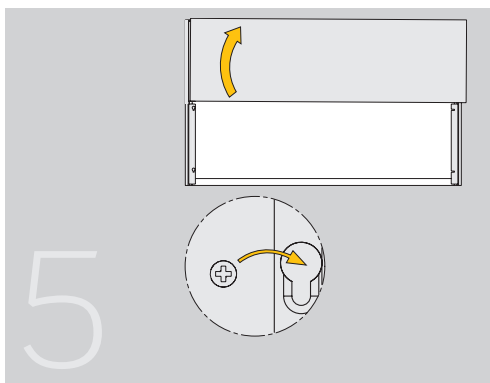
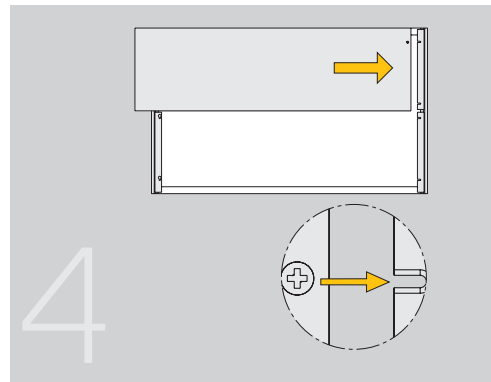
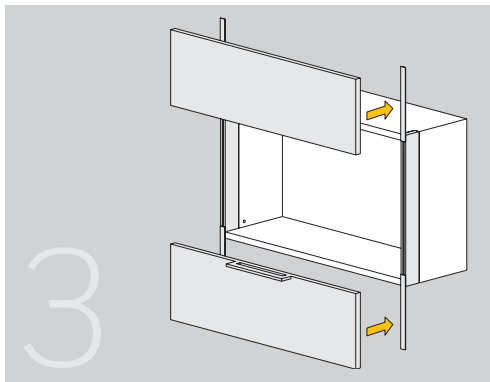
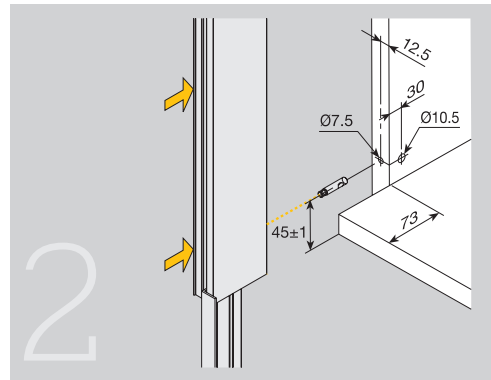
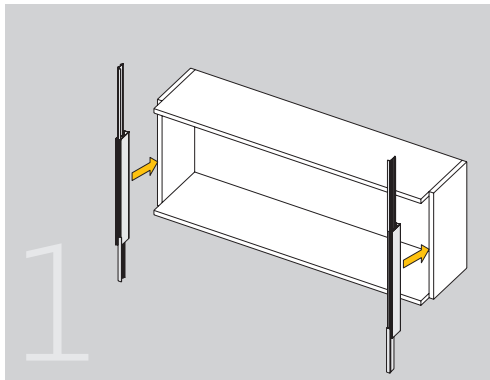
Vertikal fitting "2/3"



	A	B
548	54	46
600	50	50
700	50	50

The lower front must weigh twice as the upper front. Counterweights are supplied.

Assembly



Repeat steps 4, 5 and 6 to for the assembly of the lower door.

* To guarantee a correct operation, leave the screw slightly loose.

