

# 1 SCREEN CLICK

For 12mm chipboard maximum.

## Upper/lower track profile.

	3m. profiles	
Anodised silk	718.130.501	10
Anodised black	718.130.545	


## Side track profile.

	3m. profiles	
Anodised silk	718.030.504	10
Anodised black	718.030.541	


## Intermediate cross-piece track profile.

	3m. profiles	
Anodised silk	718.230.505	10
Anodised black	718.230.542	

## Tongue-piece adaptor for glass.

	3m. profiles	
Anodised silk	718.330.502	10
Anodised black	718.330.546	


## Side cover.

	3m. profiles	
Anodised silk	718.430.506	10
Anodised black	718.430.543	

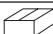
## Side cover for stop.

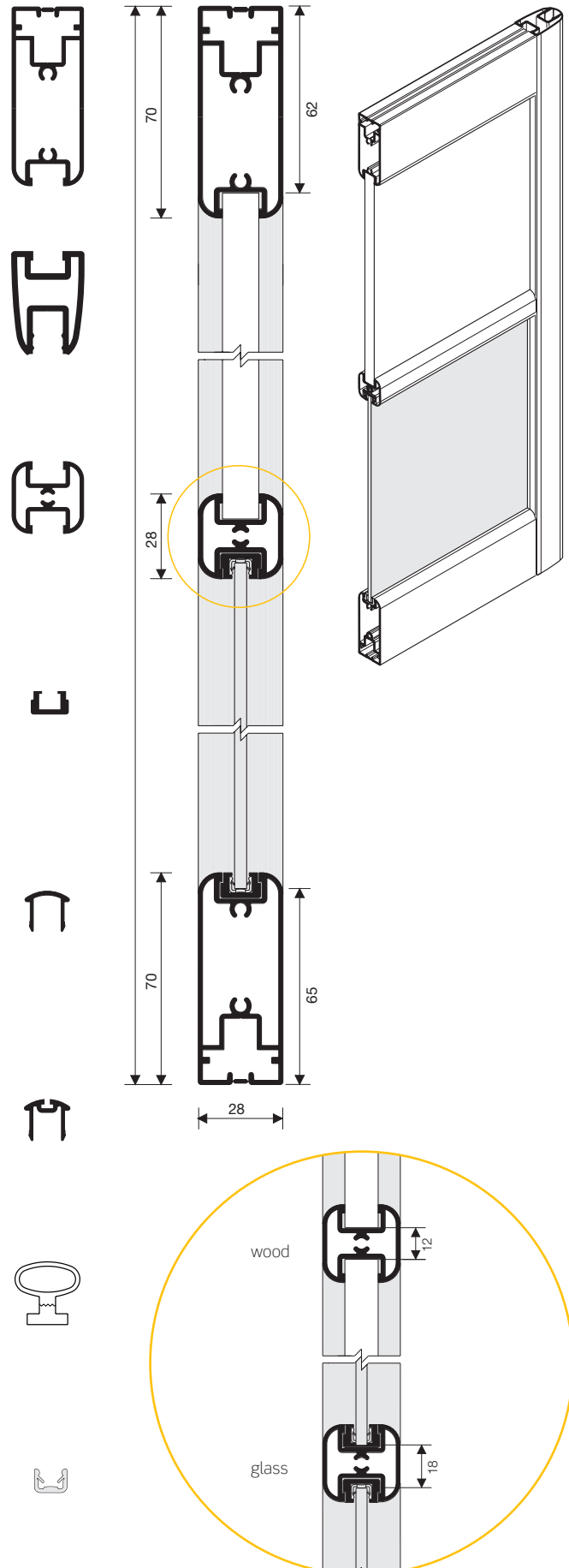
	3m. profiles	
Anodised silk	718.530.503	10
Anodised black	718.530.540	

## Stop.

	3m. profiles	
Black	753.430.020	10

## Gasket for glass.

Glass thickness	3m. profiles	
4mm.	753.734.026	25
5mm.	753.735.021	



Screws DIN 7981 Ø4.2x32 joint assembly.

Zinc-coated	986.132.033	200
-------------	-------------	-----

Screws DIN 965 m 4x15 door assembly.

Zinc-coated	726.015.032	500
-------------	-------------	-----

Screws

Ø5 x 19mm	986.019.031	500
-----------	-------------	-----

■ Technical data

Assembly

